

Keshi T30 Table Lamp

Designer - David Abad

FINISHES

Bar Finish - Metal



Matte Black

Lamp Finish - Marble



Black Markina

LIGHT SOURCES

LED: 12W
Luminous Flux: 900lm
Color temperature: 2700K
CRI: ≥90 DIM
Voltage: 110V

CERTIFICATIONS



MATERIALS

- Metal
- Marble



Keshi T30

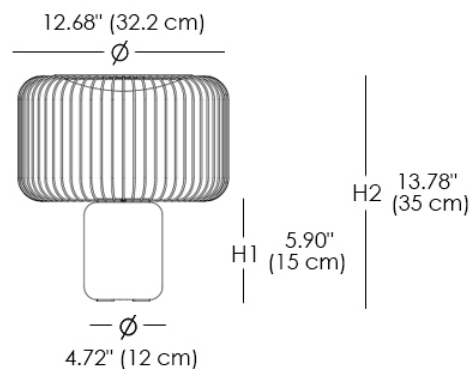


Table lamp crafted of sanded black Markina marble, and a metallic bar shade finished in matte black. Upper metallic reflector with mirror finish. LED light source. Dimmer. This is a UL Certified lamp.