

Keshi S50 Suspended Lamp

Designer - David Abad

FINISHES

Bar Finish - Metal



Matte Black

Lamp Finish - Marble



Black Markina

ELECTRICAL INFORMATION

LED: 23.5W
Luminaire flux: 3115lm
Milliampere: 700mA
Color temperature: 2700K
CRI: ≥90
Voltage: 110V DIM PUSH/1-10V

CERTIFICATIONS

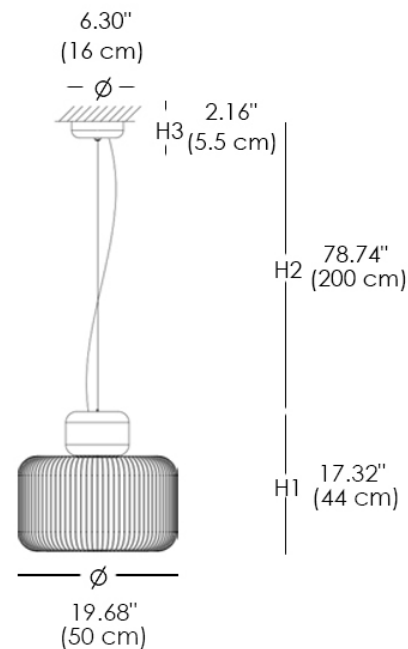


MATERIALS

- Metal
- Marble



Keshi S50



Suspension lamp crafted in sanded black Markina marble and metallic bar shade, finished in matte black. LED light source. Dimmer. This is a UL Certified Lamp.