

Keshi S30 Suspended Lamp

Designer - David Abad

FINISHES

Bar Finish - Metal



Matte Black

Lamp Finish - Marble



Black Markina

LIGHT SOURCES

LED: 9W

Luminaire flux: 1100lm

Milliampere: 500mA

Color temperature: 2700K

CRI: ≥90

Voltage: 110V DIM PUSH/1-10V

CERTIFICATIONS

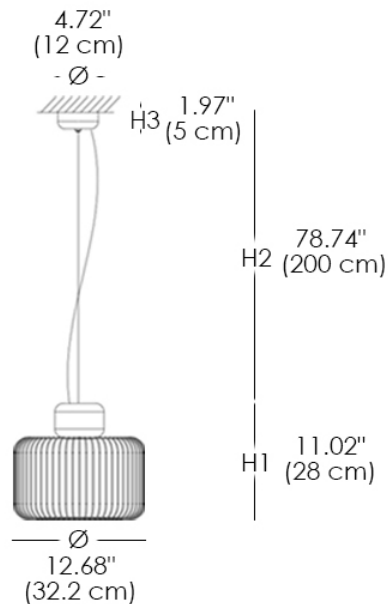


MATERIALS

- Metal
- Marble



Keshi S30



Suspension lamp crafted in sanded black Markina marble and metallic bar shade, finished in matte black. Available in two sizes. LED light source. Dimmer.

This is a UL Certified Lamp.

Keshi S30 Suspended Lamp By David Abad