

Kanpazar 80C Outdoor Floor Lamp

Designer - Jon Santacoloma

FINISHES

Structure Finish - Metal



Opal White

Base Finish - Concrete



Gray

LIGHT SOURCES

Kanpazar 80C LED:

LED bulb: 4 x 6W
Luminaire flux: 4152lm
Milliampere: 350mA
Color temperature: 3000K
CRI: ≥90
Voltage: 110V

Kanpazar 80C FLUO:

Fluorescent 36W base 2G11 qty 2

CERTIFICATIONS

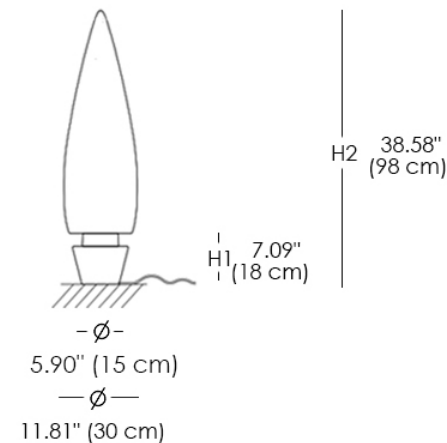


MATERIALS

- Metal



Kanpazar 80C



Kanpazar 80A is fixed to the ground and hard wired, while Kanpazar 80B is portable and has a maximum wiring connection of 11.5 feet. Kanpazar 80C, which has a concrete base, is portable and has a maximum wiring connection of 11.5 feet. This is a UL Certified Lamp.