

## Kanpazar 80A Outdoor Floor Lamp

Designer - Jon Santacoloma

### FINISHES

Structure Finish - Metal



Opal White

### LIGHT SOURCES

#### Kanpazar 80A LED:

LED bulb: 4 x 6W  
Luminaire flux: 4152lm  
Milliampere: 350mA  
Color temperature: 3000K  
CRI:  $\geq 90$   
Voltage: 110V

#### Kanpazar 80A FLUO:

Fluorescent 36W base 2G11 qty 2

### CERTIFICATIONS

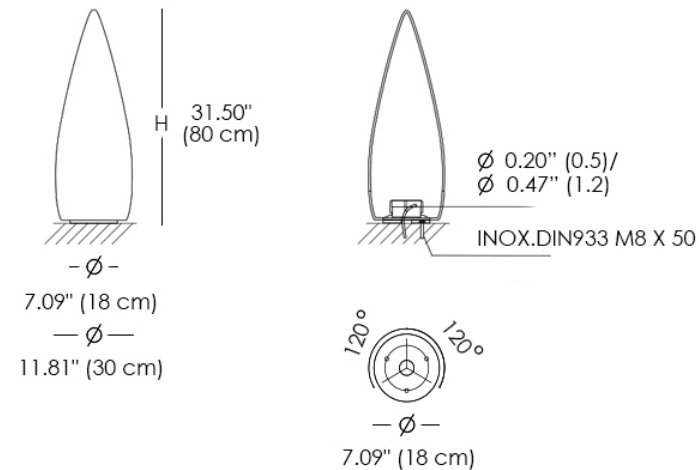


### MATERIALS

- Metal



Kanpazar 80A



Indoor and outdoor lamps, in a smooth opal white finish, made from vandal-proof UV resistant polyethylene (PE). Available in different versions. Kanpazar 80A is fixed to the ground and hard wired, while Kanpazar 80B is portable and has a maximum wiring connection of 11.5 feet.

This is a UL Certified Lamp.