

Kanpazar 150A Outdoor Floor Lamp

Designer - Jon Santacoloma

FINISHES

Structure Finish - Metal



Opal white

ELECTRICAL INFORMATION

Kanpazar 150A LED:

LED bulb: 4 x 12W
Luminaire flux: 8304lm
Milliampere: 350mA
Color temperature: 3000K
CRI: ≥90
Voltage: 110V

Kanpazar 150A FLUO 2G11:

Fluorescent 55W base 2G11 qty 2

Kanpazar 150A FLUO G5:

Fluorescent 21W base G5 qty 2
LED: 10W

CERTIFICATIONS

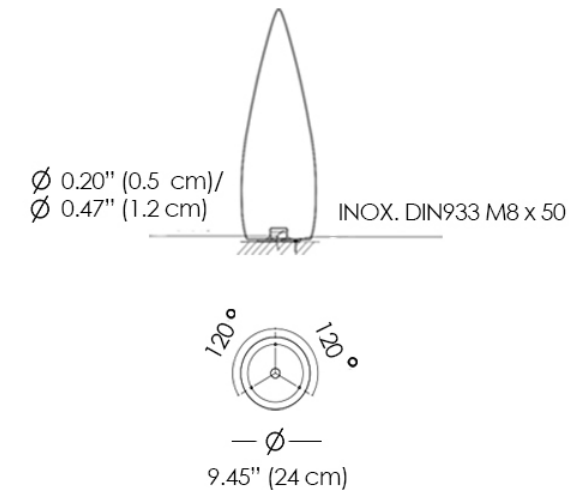
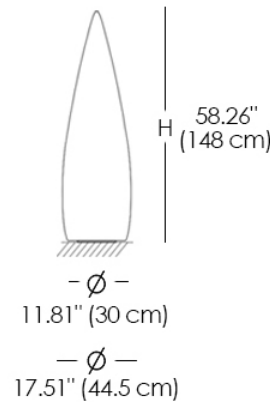


MATERIALS

- Metal



Kanpazar 150A



Indoor and outdoor lamps, in a smooth opal white finish, made from vandal-proof UV resistant polyethylene (PE). Available in different versions. Kanpazar 150A is fixed to the ground and hard wired, while Kanpazar 150B is portable and has a maximum wiring connection of 11.5 feet.

This is a UL Certified Lamp.