

## Inn Side Outdoor Floor Lamp

Designer - Gemma Bernal

### FINISHES

Frame Finish - Wood



Radiata

Polyethylene Finish - Plastic



Opal White

### ELECTRICAL INFORMATION

LED: 4 x 16W

Luminaire flux: 11072lm

Milliampere: 350mA

Color temperature: 3000K

CRI:  $\geq 90$

Voltage: 110V

### CERTIFICATIONS

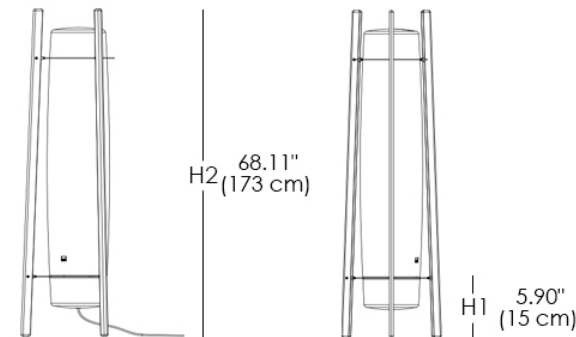


### MATERIALS

- Wood
- Plastic



Inn Side



$\phi$   
21.65" (55 cm)

Portable outdoor lamp crafted of plain vandal-proof and UVA-resistant opal white PE. Radiata wood featuring a stabilising treatment to prevent warping. 3.5-meter cable.  
This is a UL Certified Lamp.