

IIde Wood S1 Suspended Lamp

Designer - David Abad

FINISHES

Lamp Finish - Wood



Natural Oak

Cable Finish - Fabric



Brown

LIGHT SOURCES

LED filament G125: 6W (E26)
Temperature: 2700k

CERTIFICATIONS

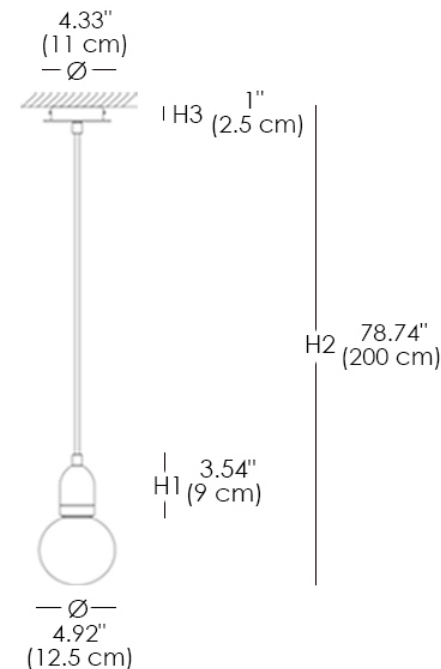


MATERIALS

- Fabric
- Wood



IIde Wood S1



A family of unitary suspension lamps. The IIde Wood S is made of oak, with a brown textile cable
This is an UL Certified Lamp.