

IIde Wood Max S19 Suspended Lamp

Designer - David Abad

FINISHES

Finish - Wood



Natural Oak

Cable Finish - Fabric



Brown

LIGHT SOURCES

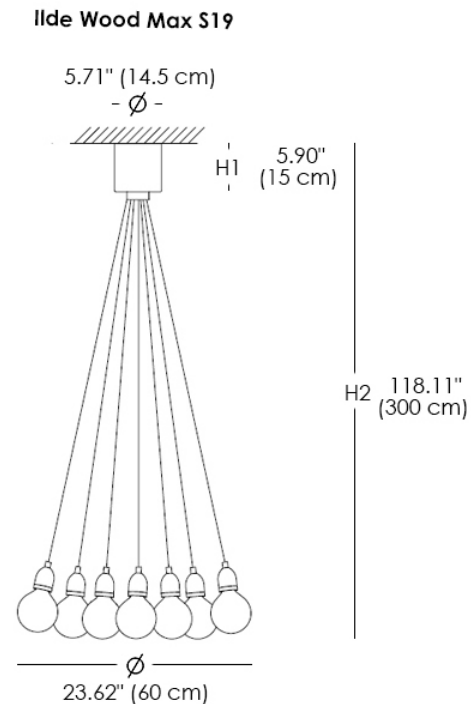
LED filament G125: 19 x 2W (E26)
Temperature: 2700K

CERTIFICATIONS



MATERIALS

- Fabric
- Wood



Multiple suspension lamp, available with 7, 13 or 19 points of light. IIde Wood Max S is made of oak, and features a brown textile cable. This is an UL Certified Lamp.