

Cone Light W Wall Lamp

Designer - Werner Aisslinger

FINISHES

Finish - Metal



Matte Brass



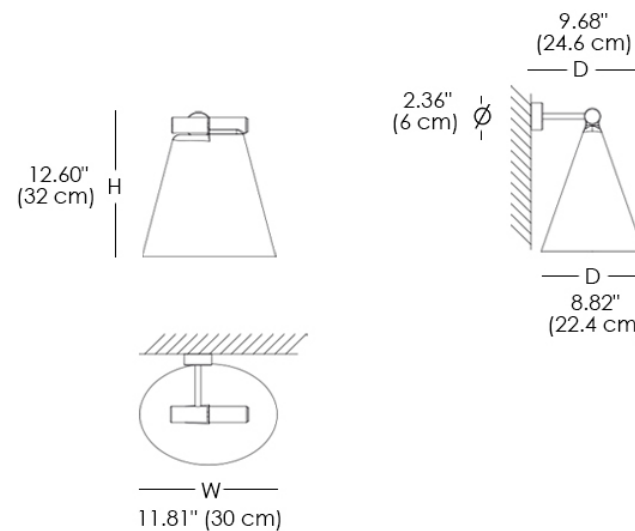
Matte White

MATERIALS

- Metal



Cone Light W



Vitrified translucent porcelain wall lamp. Available in textured matte white, with copper fittings. A soft glow emanates from the porcelain, direct light below.