

## Cone Light S1 Suspended Lamp

Designer - Werner Aisslinger

FINISHES

Structure Finish - Metal



Matte Brass



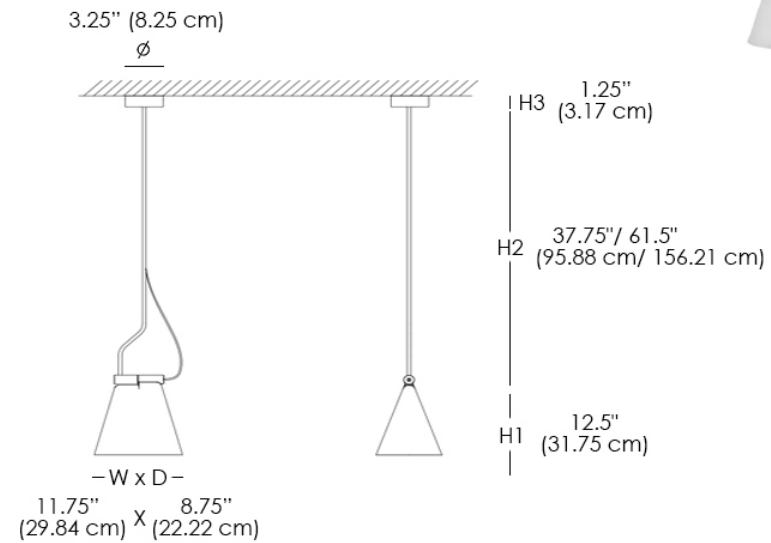
Matte White

MATERIALS

- Metal



Cone Light S1



Vitrified translucent porcelain suspension lamp in textured matte white with copper fittings. Porcelain provides a soft glow with direct light below.