

Castle S90 Natural Oak Suspended Lamp (Quick Ship)

Designer - Stone Designs

FINISHES

Structure Finish - Metal



Natural Oak

LIGHT SOURCES

LED: 41W
Luminaire Flux: 7960lm
Milliampere: 350mA
Color temperature: 3000K
CRI: ≥ 90
Voltage: 110V

CERTIFICATIONS

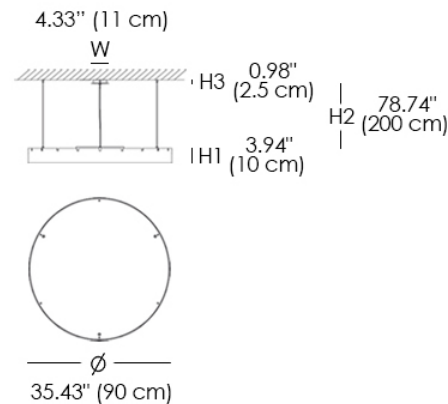


MATERIALS

- Metal



S90



Suspension lamp in aluminum with a circular body and a highly uniform opal white PMMA diffuser. The design allow for configuration. Finish: natural oak. Direct light, with a soft, indirect light effect. LED light source. Option to connect multiple Castle lamps using one main power supply. Dimmer.

This is a UL Certified Lamp.