

C_Ball W Wall Lamp

Designer - Stone Designs

FINISHES

Sphere Finish - Glass



Opal Glass

Structure Finish - Metal



Matte Black



satin Brass

LIGHT SOURCES

C_Ball W (1L) Wall Lamp:

LED bulb 6W base E12
Fluorescent/CFL bulb max. 12W base E12
Incandescent max. 40W base E12

C_Ball W (2L) Wall Lamp:

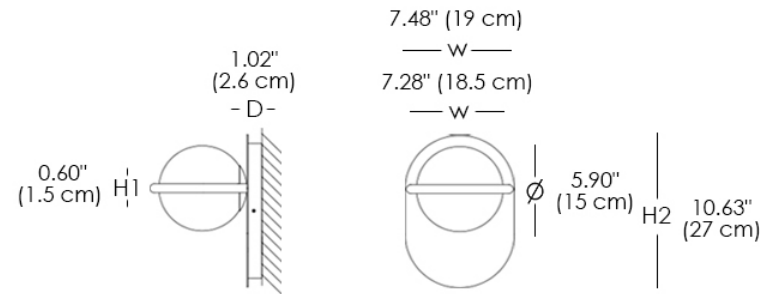
LED bulb: 4.5W
Luminaire flux: 546lm
Milliamperage: 250mA
Color temperature: 3000K
CRI: ≥90
Voltage: 110V
LED bulb 6W base E12
Fluorescent/CFL bulb max. 12W base E12
Incandescent max. 40W base E12

Decorative wall lamp consisting of an opal glass sphere and metal components finished in satin brass or matte black. Available in two versions: diffused light (1L), or diffused light and adjustable beam for reading (2L).

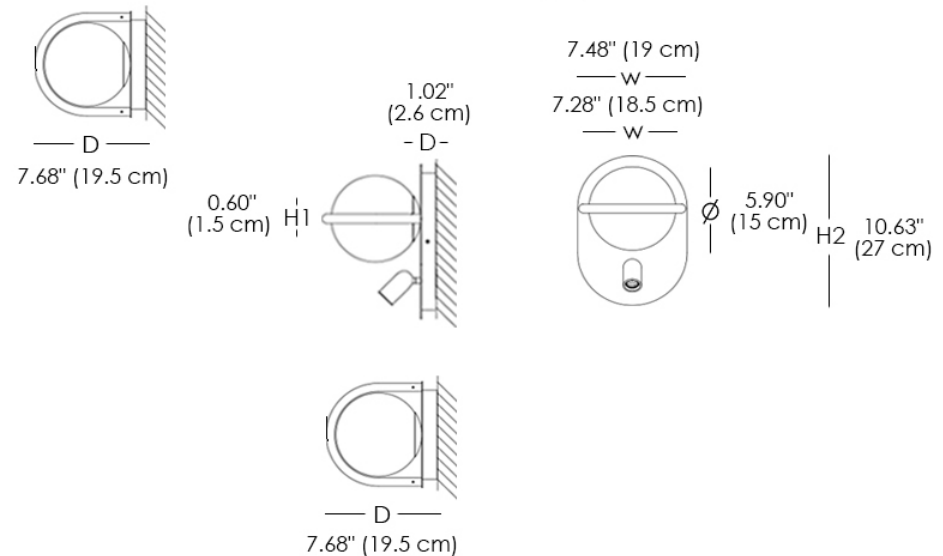
This is a UL Certified lamp.



C_Ball W (1L)



C_Ball W (2L)



CERTIFICATIONS



MATERIALS

- Metal
- Glass