

C_Ball System

Designer - Stone Designs

LIGHT SOURCES

S Current Supply & S Single Suspension:

LED: 6W (E12)
Fluo. CFL max.: 12W (E12)
Inc. max.: 40W (E12)

S 90°H Current Supply & S 90°H Single Suspension:

LED: 2 x 6W (E12)
Fluo. max.: 12W (E12)

C/W Current Supply:

LED: 6W (E12)
Fluo. max.: 2x 12W (E12)

90°H Current Supply & 90°V Single Suspension:

LED: 2 x 6W (E12)
Fluo. max.: 2x 12W (E12)

Light Module:

LED: 6W (E12)
Fluo. max.: 12W (E12)

CERTIFICATIONS



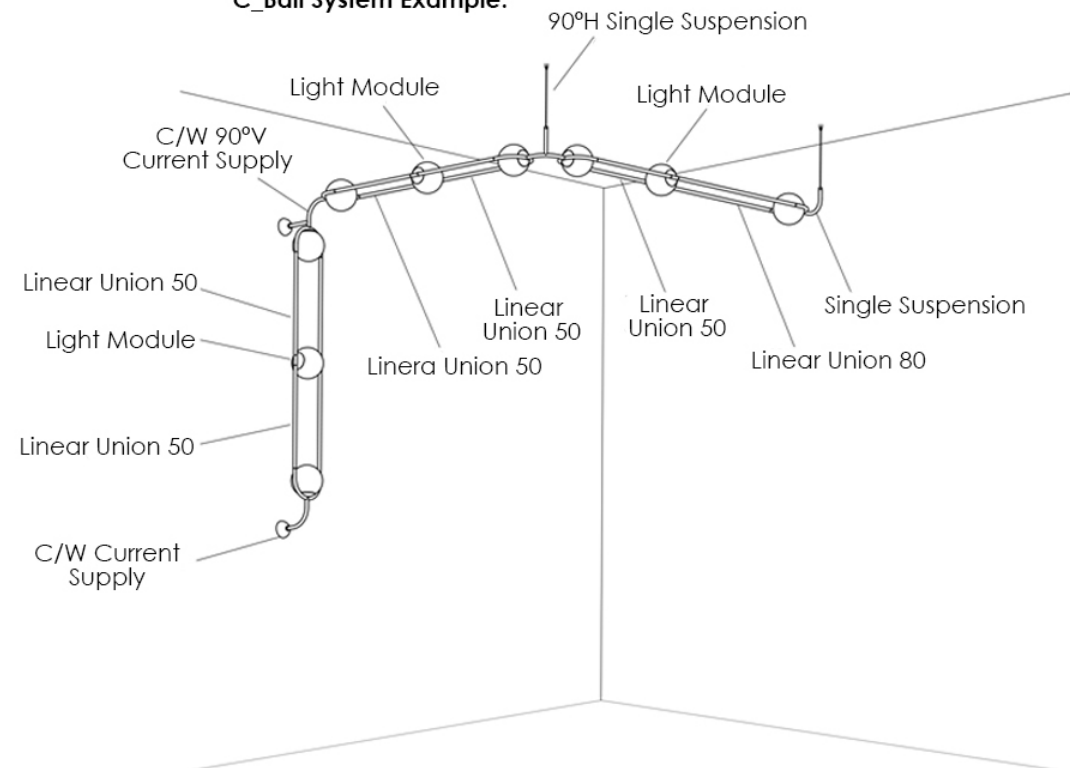
C_Ball -

Lighting system that allows adapting the lighting to the spaces by using different wall or ceiling accessories. It is a tubular system to which lighted blown-glass spheres in an opal white finish, from the C_Ball decorative lamp collection, are attached. Its metal parts are available in a matte black finish.

This is an UL Certified lighting system.



C_Ball System Example:



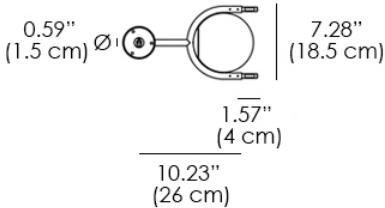
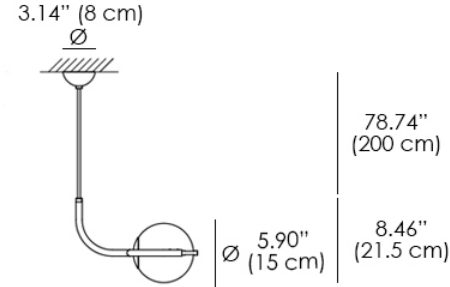
MATERIALS

- Metal
- Glass

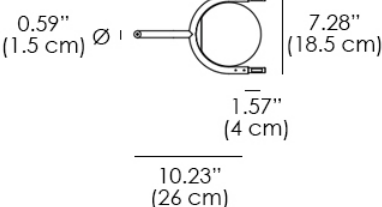
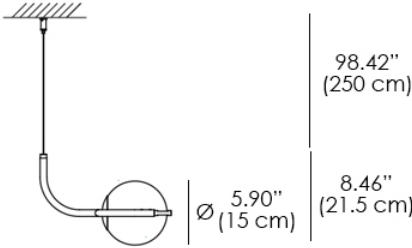
C_Ball System

Components

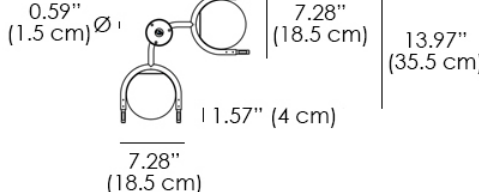
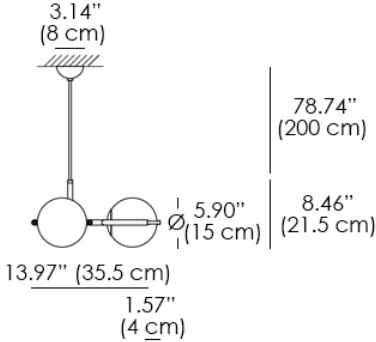
S Current Supply



S Single Suspension



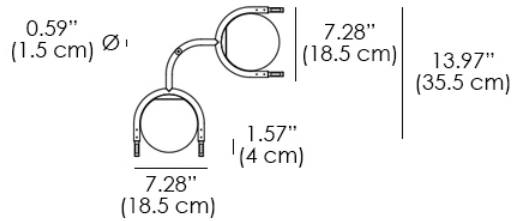
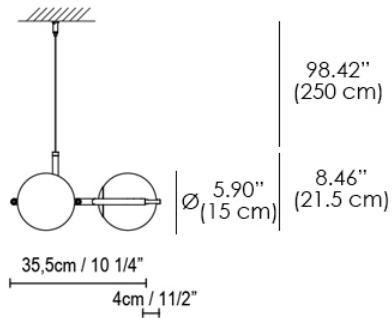
S 90°H Current Supply



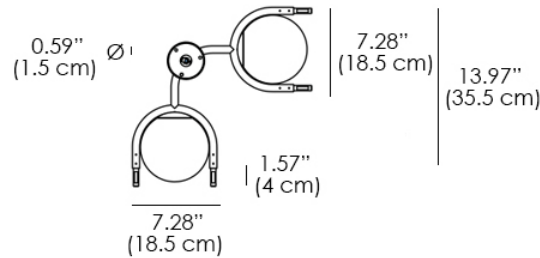
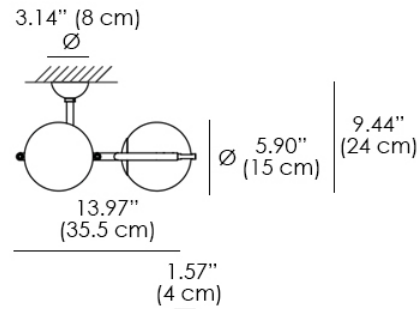
C_Ball System

Components

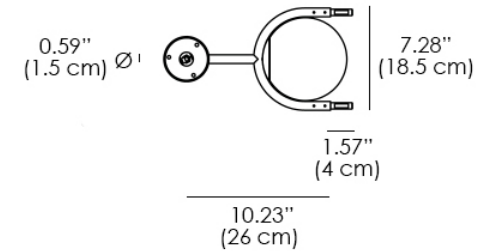
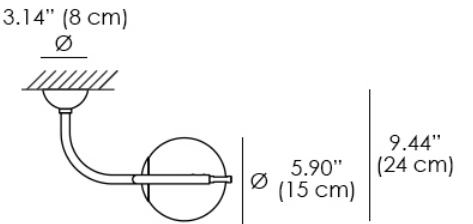
S 90°H Single Suspension



C/W 90°H Current Supply



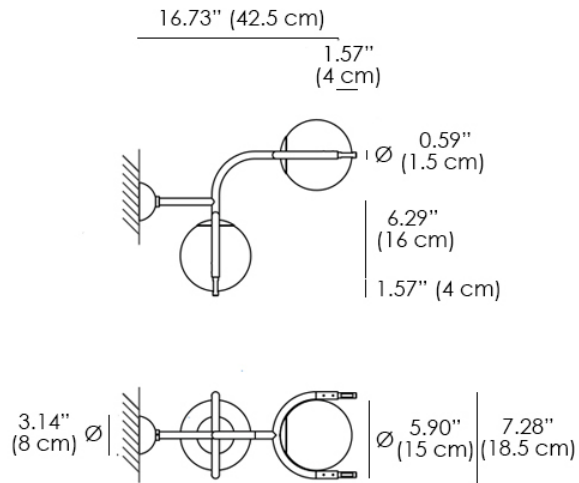
C/W Current Supply



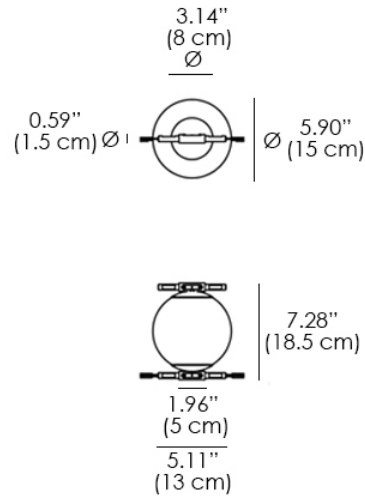
C_Ball System

Components

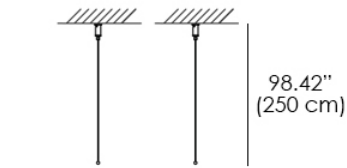
C/W 90°V Current Supply



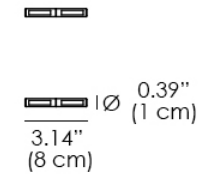
Light Module



Suspension Cable



Linear Union Join



Linear Union 30/50/80/110

