

C_Ball F Brass Floor Lamp (Quick Ship)

Designer - Stone Designs

FINISHES

Sphere Finish - Glass



Opal Glass

Structure Finish - Metal



Matte Brass

LIGHT SOURCES

LED: 6W (E14)

Fluo. max: 12W (E14)

CERTIFICATIONS

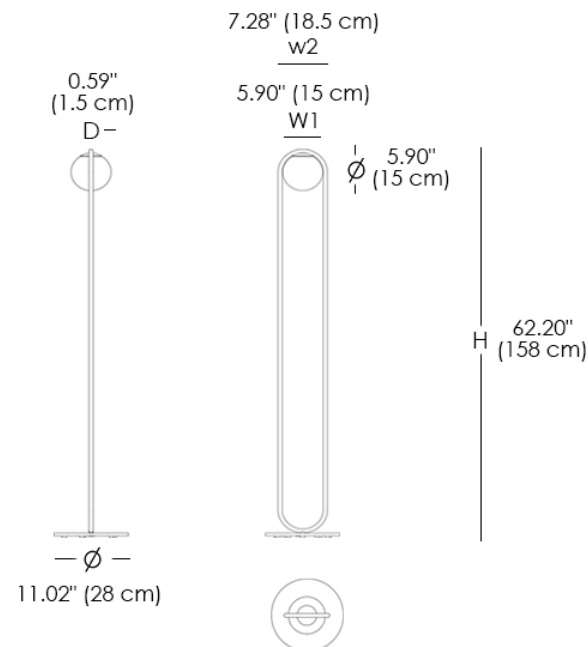


MATERIALS

- Metal
- Glass



C_Ball F



Decorative floor lamp consisting of an opal glass sphere and metal components finished in satin brass.
This is a UL Certified lamp.