

## C\_Ball T Table Lamp

Designer - Stone Designs

### FINISHES

Sphere Finish - Glass



Opal Glass

Structure Finish - Metal



Matte Black



Satin Brass

### LIGHT SOURCES

LED: 6W (E14)

Fluo. CFL max: 12W (E14)

### CERTIFICATIONS

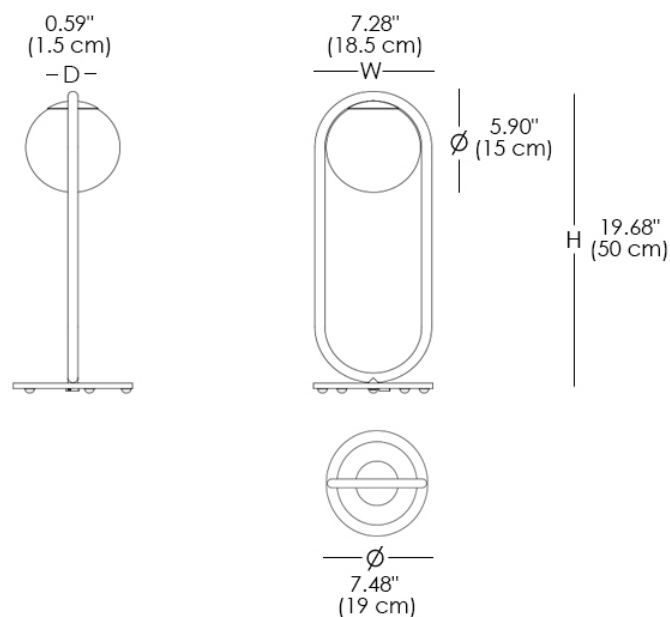


### MATERIALS

- Metal
- Glass



C\_Ball T



Decorative table lamp consisting of an opal glass sphere and metal components finished in satin brass or matte black. This is a UL Certified lamp.