

C_Ball S2 Suspended Lamp

Designer - Stone Designs

FINISHES

Sphere Finish - Glass



Opal Glass

Structure Finish - Metal



Matte Black



Satin Brass

LIGHT SOURCES

LED: 2 x 6W (E14)

Fluo. max: 2 x 12W (E14)

CERTIFICATIONS

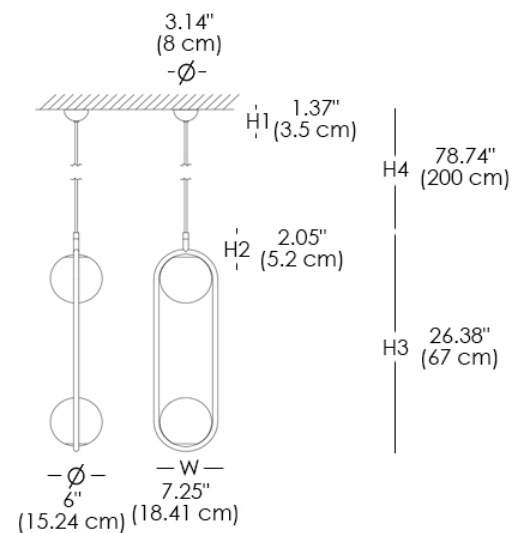


MATERIALS

- Metal
- Glass



C_Ball S2



Suspension lamp consisting of one (S1) or two (S2) opal glass spheres. Its metal components are available in two finishes: satin brass or matte black. This is a UL Certified lamp.