

C_Ball S2 Brass Suspended Lamp (Quick Ship)

Designer - Stone Designs

FINISHES

Sphere Finish - Glass



Opal Glass

Structure Finish - Metal



Satin Brass

LIGHT SOURCES

LED: 2 x 6W

Fluo. CFL max: 2 x 12W (E12)

Inc. max: 2 x 40W (E12)

CERTIFICATIONS

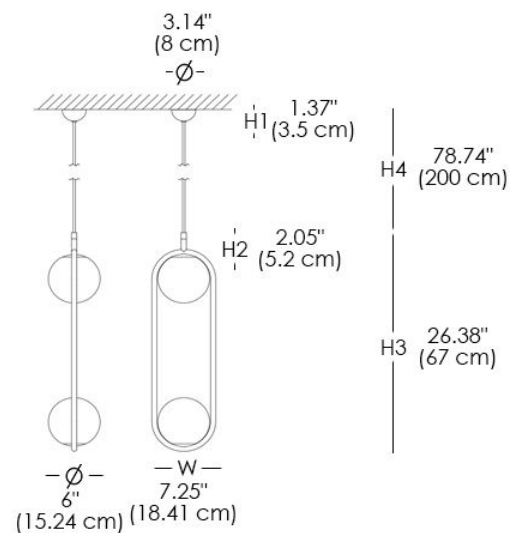


MATERIALS

- Metal
- Glass



C_Ball S2



Suspension lamp consisting of two (S2) opal glass spheres. Its metal components are available in finish: satin brass. This is a UL Certified lamp.