

C_Ball S1 Brass Suspended Lamp (Quick Ship)

Designer - Stone Designs

FINISHES

Sphere Finish - Glass



Opal Glass

Structure Finish - Metal



Satin Brass

LIGHT SOURCES

LED: 6W base E12
Fluo. CFL max: 12W (E12)
Inc. max: 40W (E12)

CERTIFICATIONS

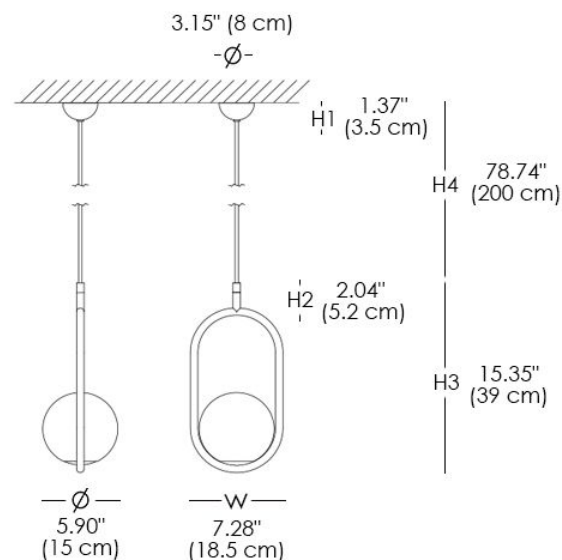


MATERIALS

- Metal
- Glass



C_Ball S1



Suspension lamp consisting of one (S1) opal glass sphere. Its metal component is available in finish: satin brass.
This is a UL Certified lamp.