

## C\_Ball S1 Black Suspended Lamp (Quick Ship)

Designer - Stone Designs

### FINISHES

Sphere Finish - Glass



Opal Glass

Structure Finish - Metal



Matte Black

### LIGHT SOURCES

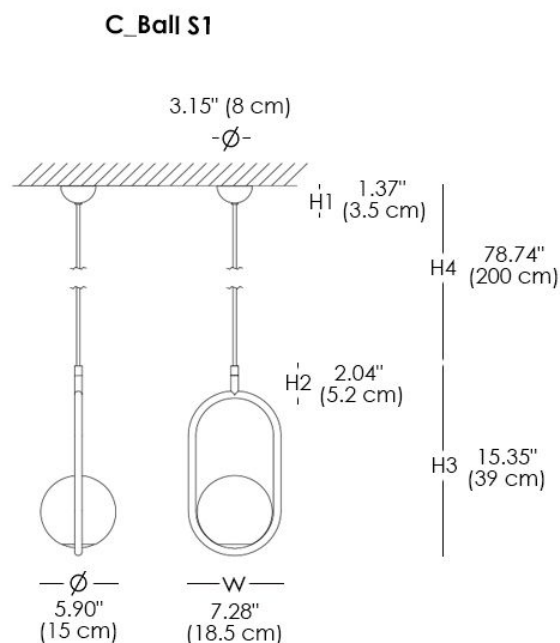
LED: 6W base E12  
Fluo. CFL max: 12W (E12)  
Inc. max: 40W (E12)

### CERTIFICATIONS



### MATERIALS

- Metal
- Glass



Suspension lamp consisting of one (S1) opal glass sphere. Its metal components are available in finish: matte black.  
This is a UL Certified lamp.