

C_Ball F Floor Lamp

Designer - Stone Designs

FINISHES

Sphere Finish - Glass



Opal Glass

Structure Finish - Metal



Matte Black



Matte Brass

LIGHT SOURCES

LED: 6W (E14)

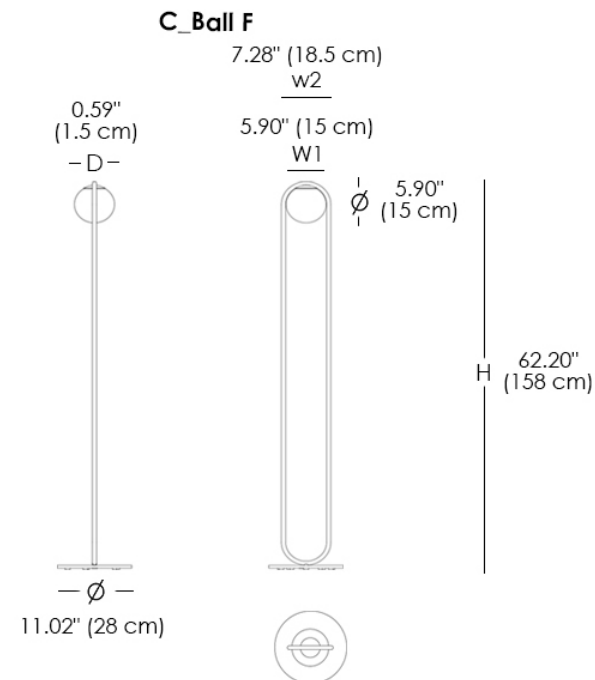
Fluo. max: 12W (E14)

CERTIFICATIONS



MATERIALS

- Metal
- Glass



Decorative floor lamp consisting of an opal glass sphere and metal components finished in satin brass or matte black. This is a UL Certified lamp.