

Bowee W2 Wall Lamp

Designer - Werner Aisslinger

FINISHES

Finish - Metal



Matte Beige



Metallic English
Bronze



Matte Clear
Turquoise

LIGHT SOURCES

LED bulb: 2 x 8W
Luminaire flux: 1120lm
Color temperature: 2700K
CRI: ≥90

CERTIFICATIONS

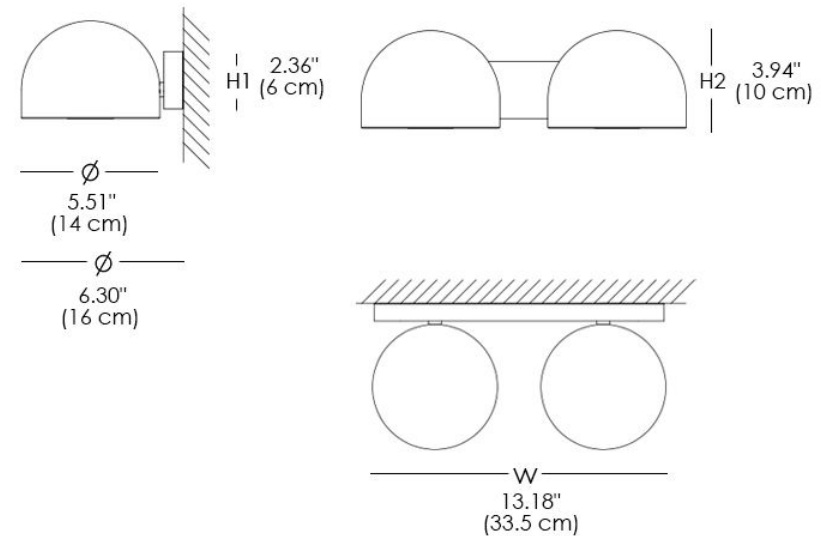


MATERIALS

- Metal



Bowee W2



LED wall lamp made with half-sphere shades. Available with two shades (W2). On all these lamps, the light source can be adjusted on its horizontal axis and gives direct and diffused light. Available in metallic English bronze, matte turquoise and matte beige.

This is a UL Certified Lamp.