

Bowee W1 Wall Lamp

Designer - Werner Aisslinger

FINISHES

Finish - Metal



LIGHT SOURCES

LED bulb: 8W
Luminaire flux: 1050lm
Milliampere: 350mA
Color Temperature: 2700K
CRI: ≥90

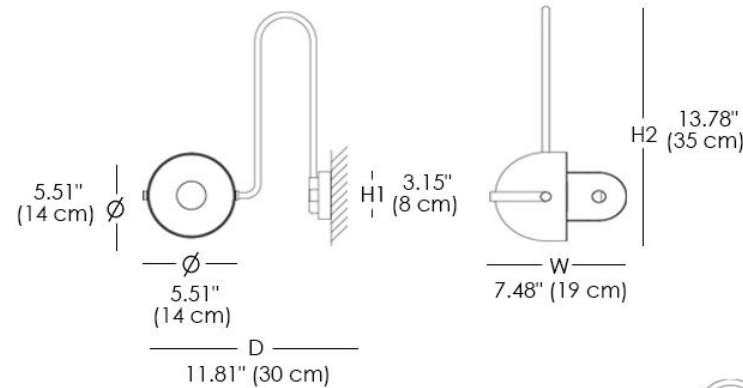
CERTIFICATIONS



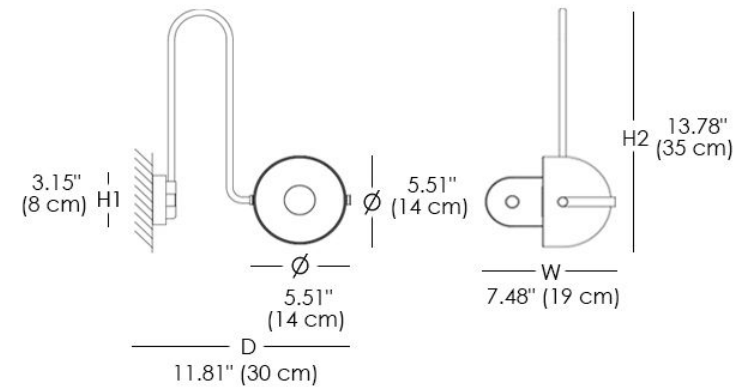
MATERIALS

- Metal

Bowee W1 Left



Bowee W1 Right



LED wall lamp made with half-sphere shades. Available with either one shade (W1 left and W1 right), both with a switch, or two shades (W2). On all these lamps, the light source can be adjusted on its horizontal axis and gives direct and diffused light. Available in metallic English bronze, matte turquoise, black and matte beige. This is a UL Certified Lamp.