

## Bowee S2 Suspended Lamp

Designer - Werner Aisslinger

FINISHES

Finish - Metal



Matte Beige



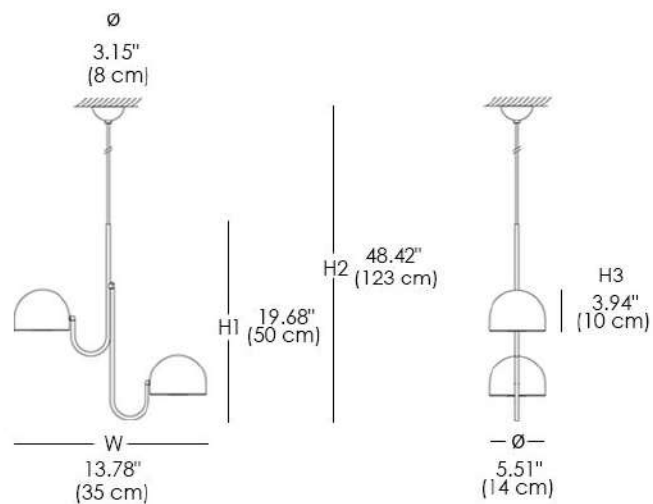
Matte Clear Turquoise



Metallic English  
Bronze



Matte Black



### LIGHT SOURCES

LED: 2 X 8W

TEMPERATURE: 2700K

CRI: ≥90

### CERTIFICATIONS



### MATERIALS

- Metal

LED suspension lamp made with half-sphere shades, available as vertical (S) or horizontal (SH). Bowee S is available with either one shade (S1) or two shades (S2).

This is a UL Certified Lamp.