

Bowee S1 Suspended Lamp

Designer - Werner Aisslinger

FINISHES

Finish - Metal



Matte Beige



Matte Clear Turquoise



Metallic English
Bronze



Matte Black

LIGHT SOURCES

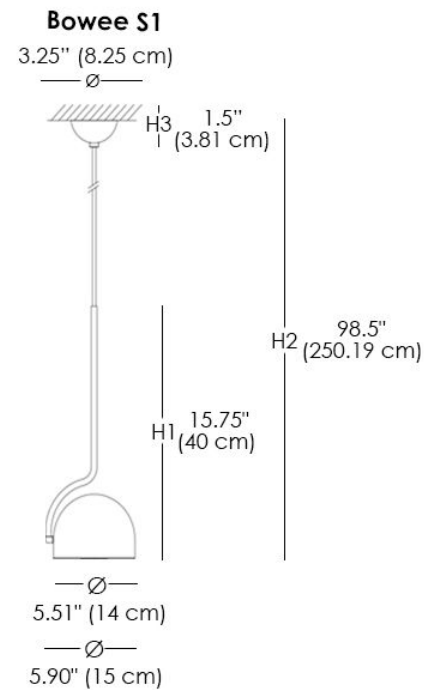
LED: 8W
Luminaire flux: 560lm
Temperature: 2700K
CRI: ≥90
Voltage: 110V

CERTIFICATIONS



MATERIALS

- Metal



LED suspension lamp made with half-sphere shades. It is available with either one shade (S1) or two shades (S2). All light sources can be positioned on the horizontal axis and give diffused light.

Available in metallic English bronze, matte turquoise, matte beige and matte black.

This is a UL-certified lamp.