

## Blux System T40 Table Lamp

Designer - Werner Aisslinger

### FINISHES

Finish - Metal



Matte Beige



Matte Brass



Matte Copper



Matte Red



Matte Black

### Interior Finish



Satin White

### LIGHT SOURCES

LED: 10W (E26)

Fluo. max: 11W (E26)

### CERTIFICATIONS

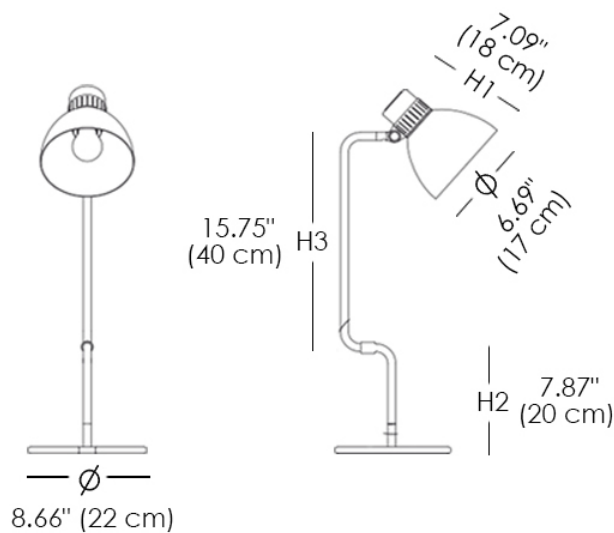


### MATERIALS

- Metal



T40



Articulated table lamp designed in the late 70s in the style of the English school. The simplicity of its forms is reflected in its friction swivel joints and aluminum shade. Finishes: matte black, matte red or matte beige, and the inside of the shade in satin white. Also available with brass and copper shades that combine with the body of the lamp in black. This is a UL Certified lamp.