

Blux System T30 Table Lamp

Designer - Werner Aisslinger

FINISHES

Lamp Finish - Metal



Matte Beige



Matte Brass



Matte Copper



Matte Red



Matte Black

Interior Finish



Satin White

LIGHT SOURCES

LED: 10W (E26)

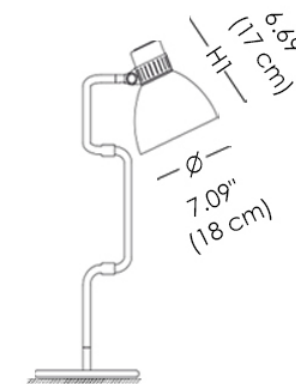
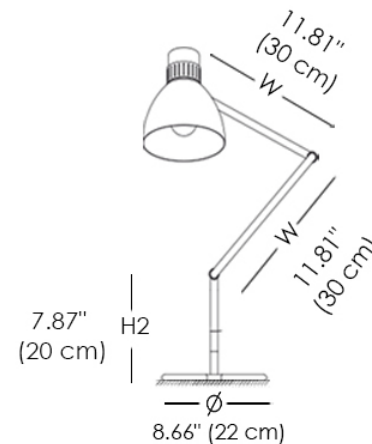
Fluo. max: 11W (E26)

CERTIFICATIONS



MATERIALS

- Metal



Articulated table lamp designed in the late 70s in the style of the English school. The simplicity of its forms is reflected in its friction swivel joints and aluminum shade. Finishes: matte black, matte red or matte beige, and the inside of the shade in satin white. Also available with brass and copper shades that combine with the body of the lamp in black. This is a UL Certified lamp.