

Blokinline System

Designer - David Abad

FINISHES

Finish - Metal



Black



Brass

Finish - Glass



White

LIGHT SOURCES

MODULE 2

LED bulb: 2 x 3W
Luminaire flux: 790lm
Milliampere: 170mA
Color temperature: 3000K
CRI: ≥90
Voltage: 110V

MODULE 4

LED bulb: 4 x 3W
Luminaire flux: 1580lm
Milliampere: 170mA
Color temperature: 3000K
CRI: ≥90
Voltage: 110V

SPOT S

LED bulb: 3W
Luminaire flux: 395lm
Milliampere: 170mA
Color temperature: 3000K
CRI: ≥90
Voltage: 110V

SPOT C

LED bulb: 3W
Luminaire flux: 395lm
Milliampere: 170mA
Color temperature: 3000K
CRI: ≥90
Voltage: 110V

SPHERE S

LED bulb: 3W
Luminaire flux: 395lm
Milliampere: 170mA
Color temperature: 3000K
CRI: ≥90
Voltage: 110V

SPHERE C

LED bulb: 3W
Luminaire flux: 395lm
Milliampere: 170mA
Color temperature: 3000K
CRI: ≥90
Voltage: 110V

LEDLINE 400

LED bulb: 21W
Luminaire flux: 720lm
Color temperature: 2700K
CRI: ≥90
Voltage: 110V

LEDLINE 900

LED bulb: 16W
Luminaire flux: 1501lm
Color temperature: 2700K
CRI: ≥90
Voltage: 110V

LEDLINE 1200

LED bulb: 21W
Luminaire flux: 2002lm
Color temperature: 2700K
CRI: ≥90
Voltage: 110V

LEDLINE 1800

LED bulb: 32W
Luminaire flux: 3002lm
Color temperature: 2700K
CRI: ≥90
Voltage: 110V

Blokinline is an architectural lighting system based on a compact track (6 mm x 16 mm), dimmable, and operating at 48V. We can move all the individual high lumen output elements along the track. The system is available in both surface-mounted and suspended versions. Blokinline consists of two opal glass spheres (100/150 mm), projectors, lighting modules with 2 and 4 spotlights with reflectors of different beam angles (38°/60°) and linear lighting elements attached, suspended, or adjustable.



LEDLINE S 900

LED bulb: 16W
Luminaire flux: 1501lm
Color temperature: 2700K
CRI: ≥90
Voltage: 110V

LEDLINE S 1200

LED bulb: 21W
Luminaire flux: 2002lm
Color temperature: 2700K
CRI: ≥90
Voltage: 110V

LEDLINE S 1800

LED bulb: 32W
Luminaire flux: 3002lm
Color temperature: 2700K
CRI: ≥90
Voltage: 110V

LEDLINE S 2400

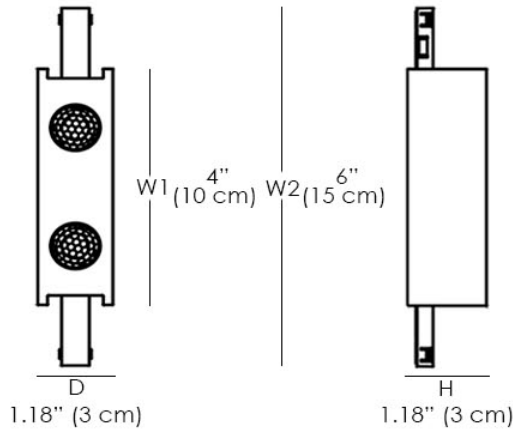
LED bulb: 42W
Luminaire flux: 4004lm
Color temperature: 2700K
CRI: ≥90
Voltage: 110V

MATERIALS

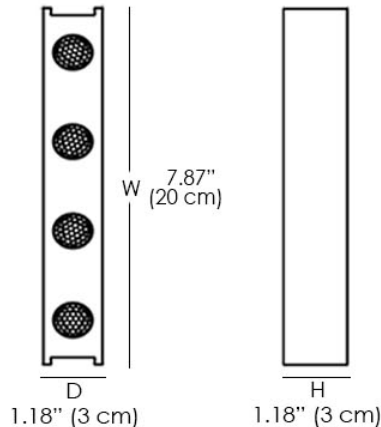
- Metal
- Glass

Blokinline System Module

Blokinline Module 2

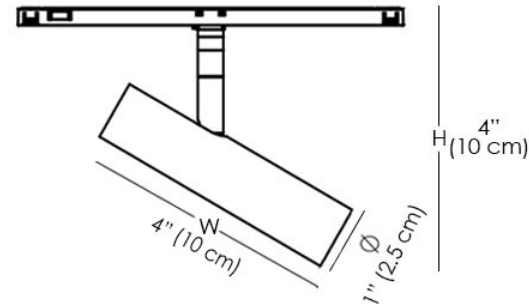


Blokinline Module 4

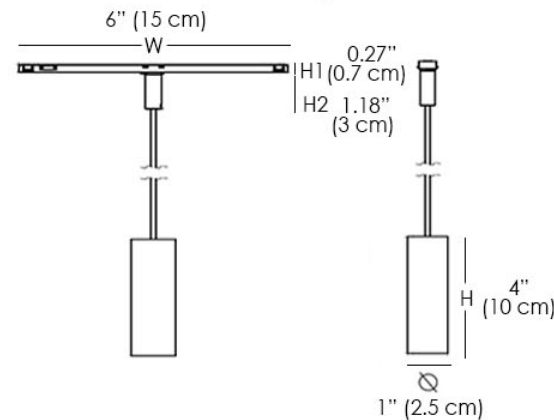


Blokinline System Spot

Blokinline Spot C

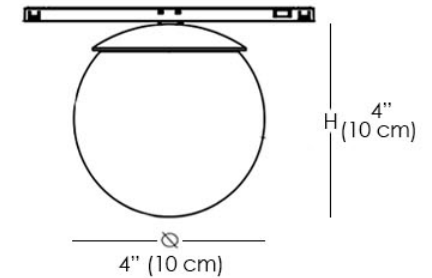


Blokinline Spot S

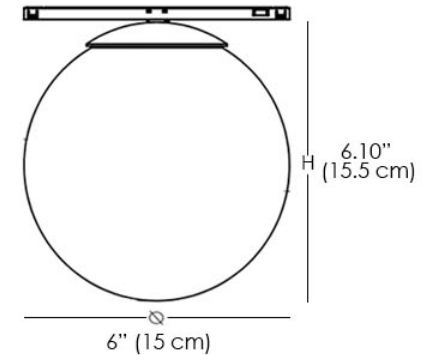


Blokinline System Sphere

Blokinline Sphere 100

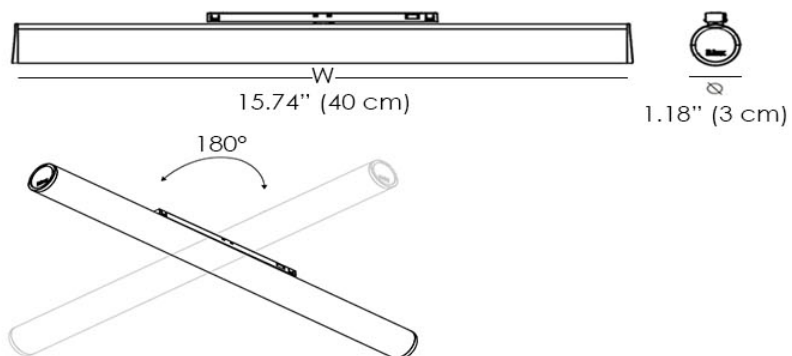


Blokinline Sphere 150

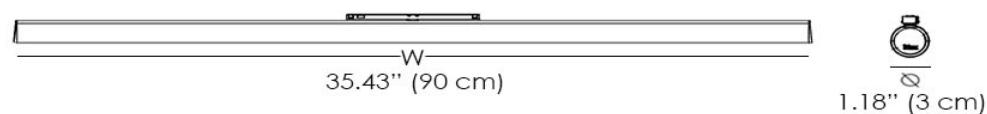


Blokinline System LEDLINE

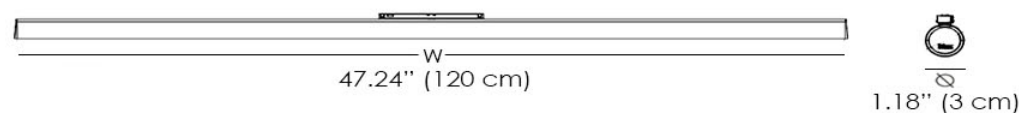
Blokinline LEDLINE 400



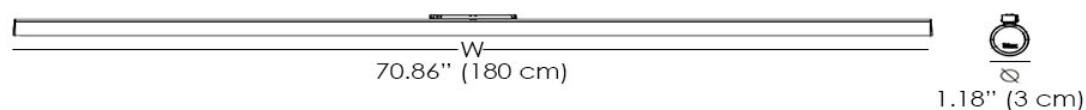
Blokinline LEDLINE 900



Blokinline LEDLINE 1200

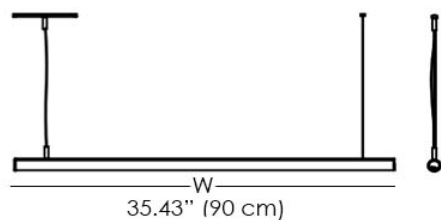


Blokinline LEDLINE 1800

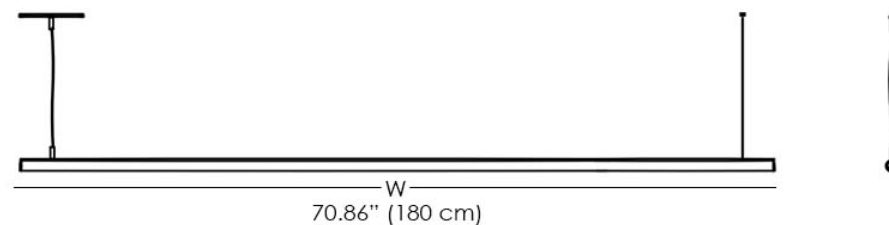


Blokinline System LEDLINE S

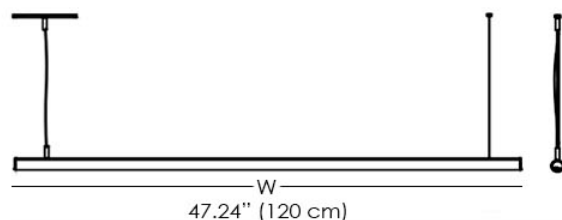
Blokinline LEDLINE S 900



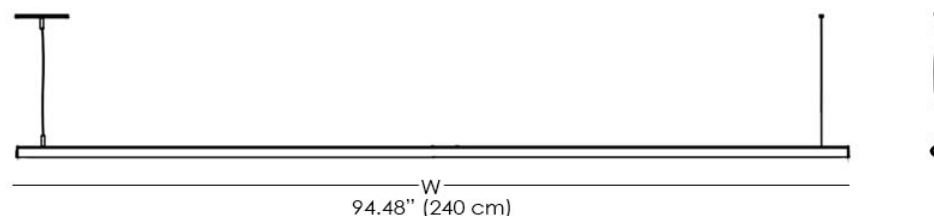
Blokinline LEDLINE S 1800



Blokinline LEDLINE S 1200

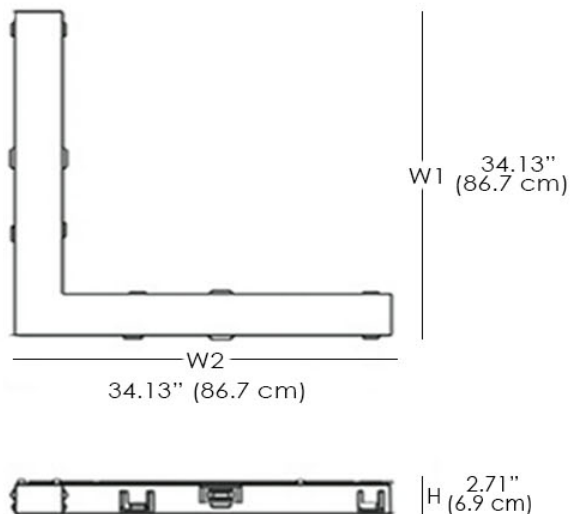


Blokinline LEDLINE S 2400

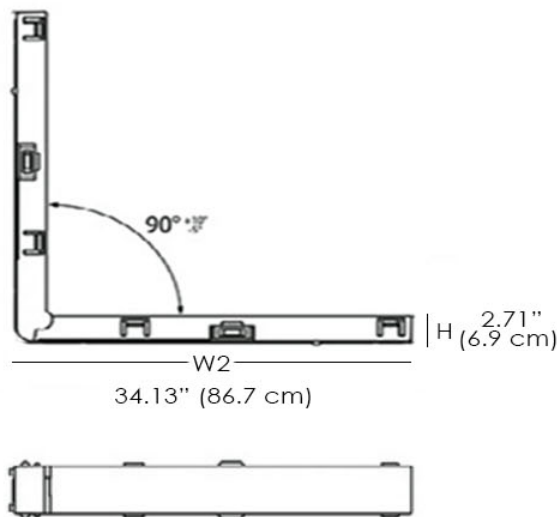


Blokinline System Union

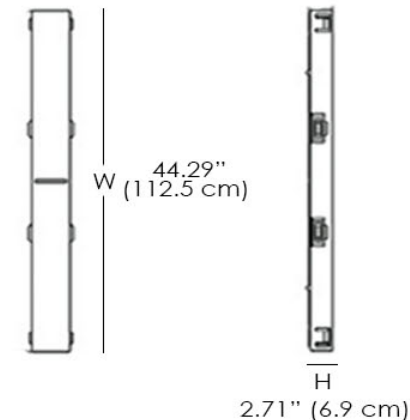
Blokinline 90° H Union



Blokinline 90° V Union



Blokinline 180° Union



Blokinline System End Cap

Blokinline End cap



Blokinline System Profile

Blokinline Profile

