

Aspen S40 Suspended Lamp

Designer - Werner Aisslinger

FINISHES

Shade Finish - Lacquer



Ring Finish - Lacquer



LIGHT SOURCES

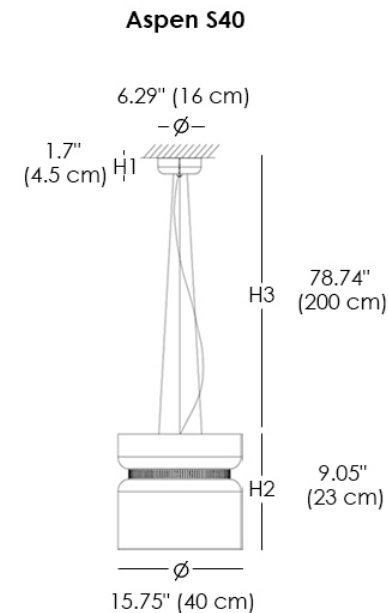
LED: 24.4W 2956lm 700mA 2700K

CRI: ≥90

Voltage: 110V DIM PUSH/1-10V

Fluorescent: 2 x 6W (E14) / Fluo. 2 x max. 8W (E14)

Suspension lamp with a dual aluminum shade. Center ring in black finish. Black cable. Direct and diffused light.



CERTIFICATIONS



MATERIALS

- Metal
- Lacquer