

Anvil System

Designer - David Abad

CERTIFICATIONS



LIGHT SOURCES

LED Line C420 / S420:

LED: 7.6W
Luminaire flux: 1326lm
Milliampere: 450mA
Color temperature: 3000K
CRI: ≥90

LED Line C560 / S560:

LED: 10.2W
Luminaire flux: 1768lm
Milliampere: 450mA
Color temperature: 3000K
CRI: ≥90

LED Line C700 / S700:

LED: 12.7W
Luminaire flux: 2210lm
Milliampere: 450mA
Color temperature: 3000K
CRI: ≥90

LED Line C840 / S840:

LED: 15.2W
Luminaire flux: 2652lm
Milliampere: 450mA
Color temperature: 3000K
CRI: ≥90

LED Line C1120 / S1120:

LED: 20.5W
Luminaire flux: 3536lm
Milliampere: 450mA
Color temperature: 3000K
CRI: ≥90

LED Module 4:

LED: 4x4.5W
Luminaire flux: 2184lm
Milliampere: 250mA
Color temperature: 3000K
CRI: ≥90
Voltage: 110V

LED Module 2:

LED: 2x4.5W
Luminaire flux: 1092lm
Milliampere: 250mA
Color temperature: 3000K
CRI: ≥90
Voltage: 110V

LED Spotlight:

LED: 4.5W
Luminaire flux: 546lm
Milliampere: 250mA
Color temperature: 3000K
CRI: ≥90
Voltage: 110V

Speers S:

LED: 4.5W
Luminaire flux: 546lm
Milliampere: 250mA
Color temperature: 3000K
CRI: ≥90
Voltage: 110V

LED Spotlight Slim:

LED: 4.5W
Luminaire flux: 546lm
Milliampere: 250mA
Color temperature: 3000K
CRI: ≥90
Voltage: 110V

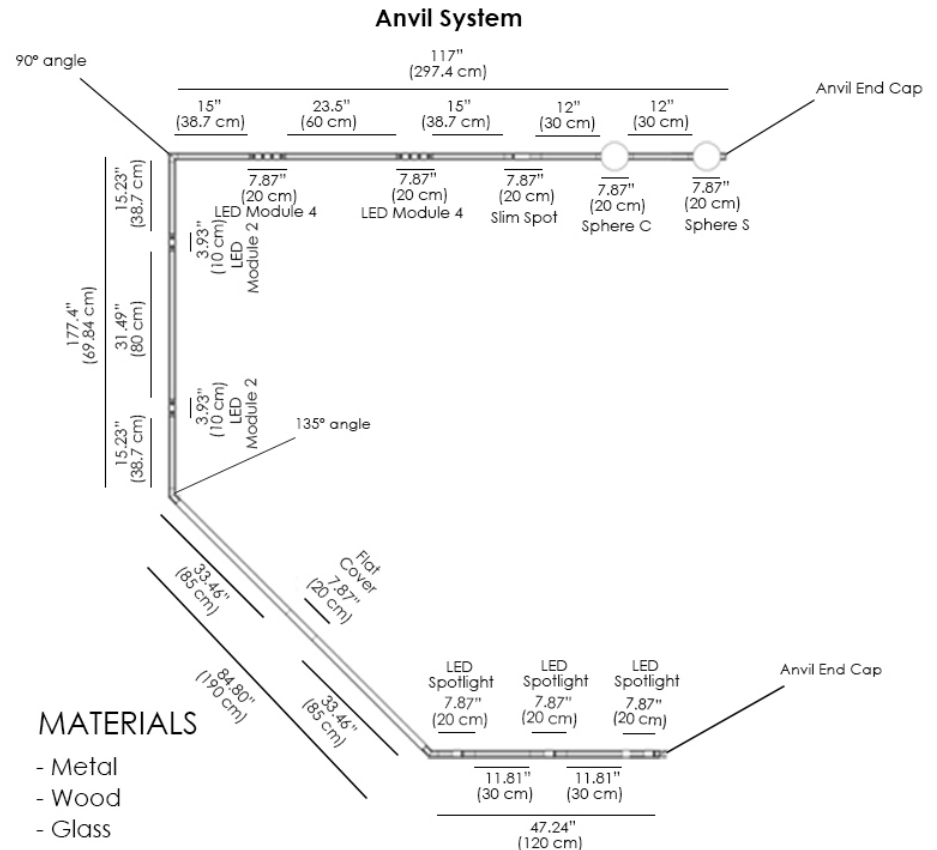
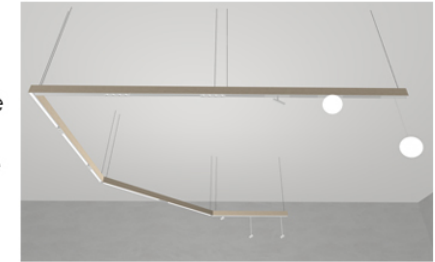
LED Spot S:

LED: 4.5W
Luminaire flux: 546lm
Milliampere: 250mA
Color temperature: 3000K
CRI: ≥90
Voltage: 110V

Sphere S/C:

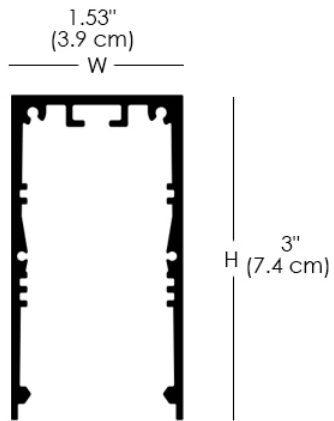
LED: 4.5W
Luminaire flux: 546lm
Milliampere: 250mA
Color temperature: 3000K
CRI: ≥90
Voltage: 110V

A recessed, surface-mounted or suspension lighting system made of extruded aluminum. Installable with continuous LED light modules with an opal diffuser (LED Line), or LED modules featuring four or two spots (LED Module), or LED spotlights (LED Spotlight and Spot S) available with anti-glare rings and beehive design. It also allows the installation of slim LED spotlights (LED Spotlight Slim). As a new feature, the Anvil System also allows the addition of round opal white glass diffusers that can be fixed to the rail (Sphere C) or hung (Sphere S). The Anvil System profile is available in matte white, matte black, bronze, natural oak and natural walnut.

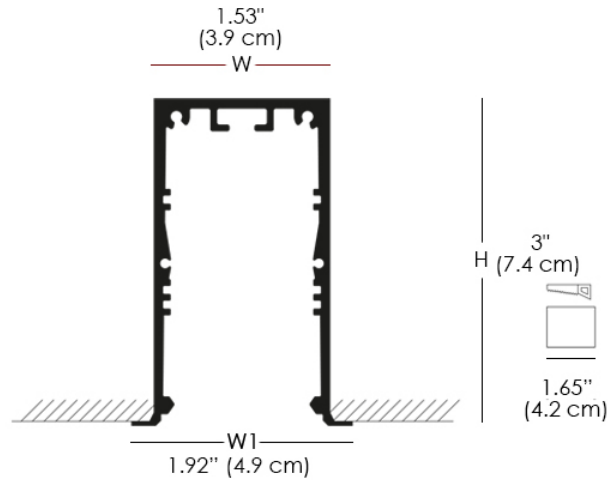


Anvil System Profile

Suspension / Surface Profile



Recessed Profile



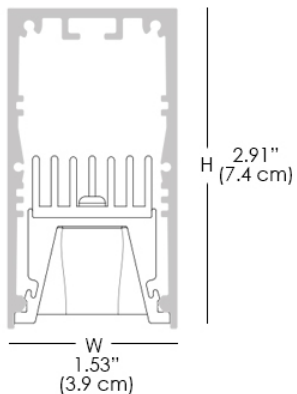
Anvil System Led Line

Led Line

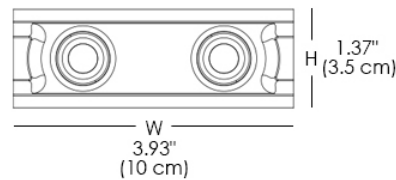


Anvil System LED Module

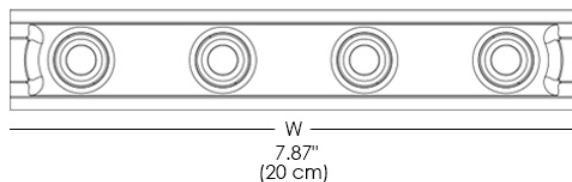
LED Module



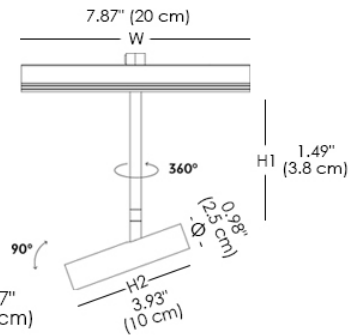
Module 2



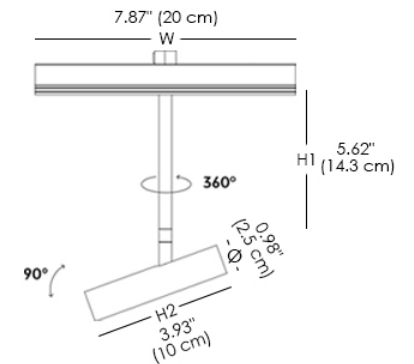
Module 4



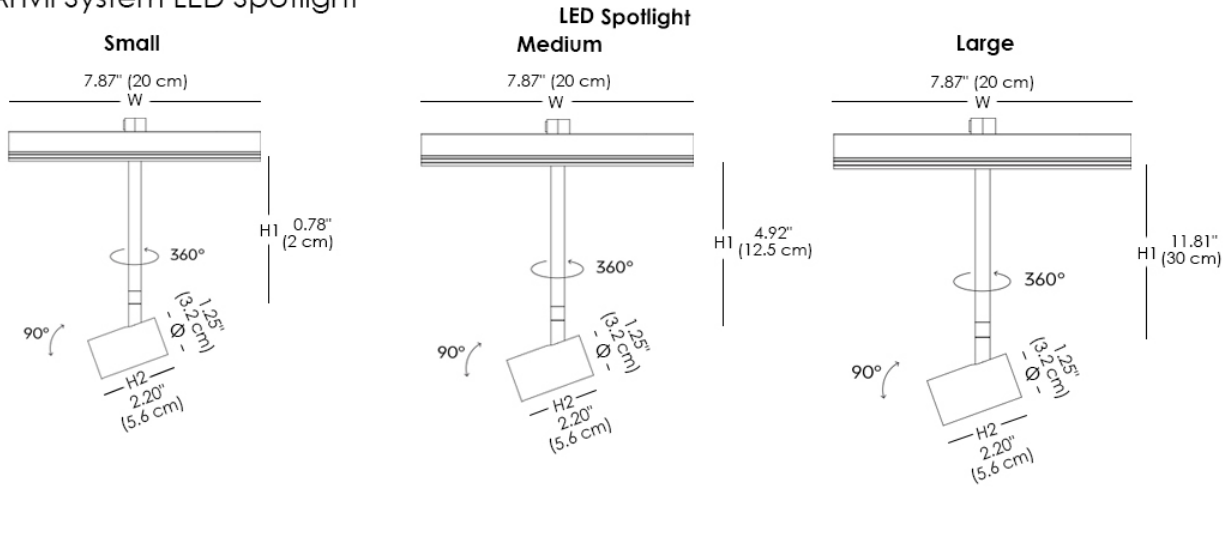
Anvil System LED Spotlight Slim



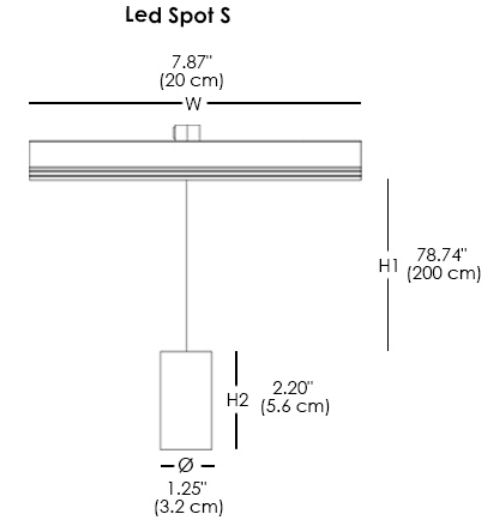
Medium



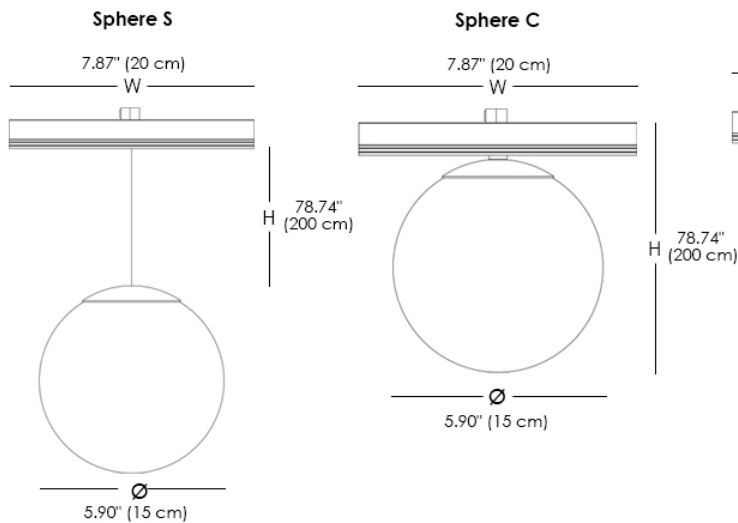
Anvil System LED Spotlight



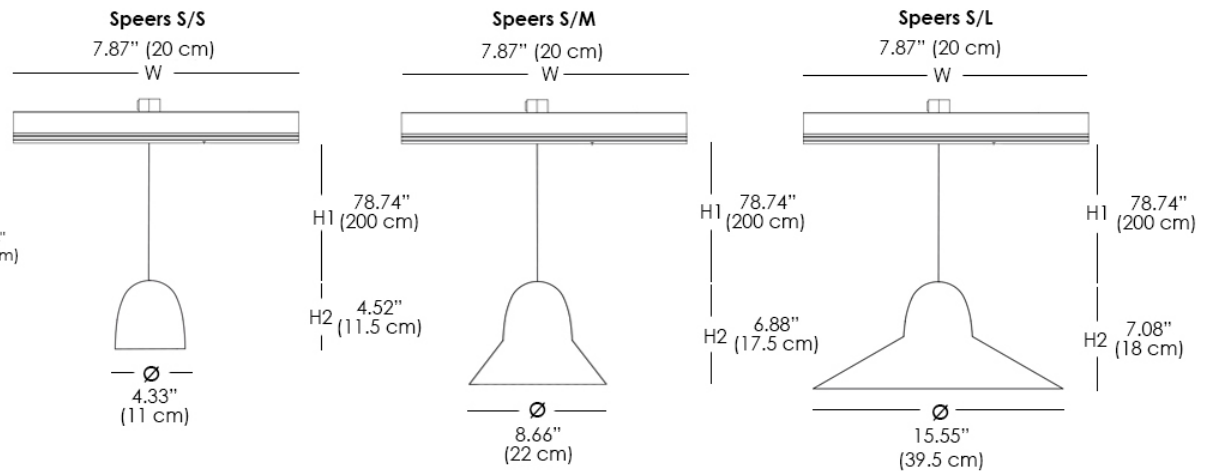
Anvil System Led Spot S



Anvil System Sphere S/C



Anvil System Speers



Accessories

