

## Anvil Spot S Suspended Lamp

Designer - David Abad

### FINISHES

Lampshade Finish - Metal



Matte White



Matte Black

### LIGHT SOURCES

LED: 4.5W

Luminaire flux: 546lm

Milliampere: 250mA

Color temperature: 3000K

CRI:  $\geq 90$

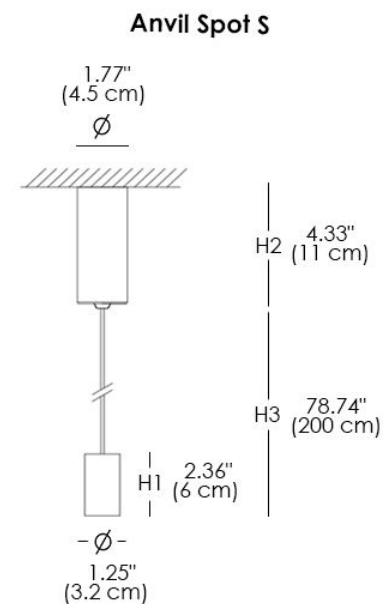
Voltage: 120V

### CERTIFICATIONS



### MATERIALS

- Metal



A collection of projectors made of aluminum, with direct lighting and LED bulbs. It is sold in a surface suspension version (Anvil Spot S) and a suspension model with a recessed rosette (Anvil Spot SR). This is an UL Certified Lamp.