

MULTICHAIR

FINISHES

FINISH:

GEMMA S PUGI RG



RED



BLACK

SPRINKLES KVADRAT FEBRIK

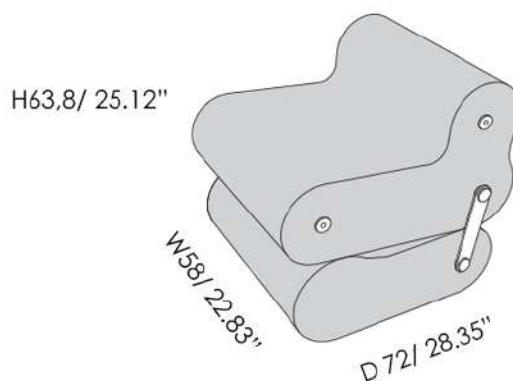


MATERIALS

- FABRIC

MULTICHAIR ARMCHAIR

It's a transformable system composed of two distinct elements that easily transform it into a chair, conversation, or relaxation armchair.



MULTICHAIR ARMCHAIR: (W 58 X D 72 X H 63,8 CM)
(W22.83" X D28.35" X H25.12")