

HOOP

FINISHES

STRUCTURE FINISH



SEAT FINISH

RIGID POLYURETHANE



PLATINUM FLUKSO



STEELCUT TRIO 3 KVADRAT



PANAMA LEATHER DANI



MATERIALS

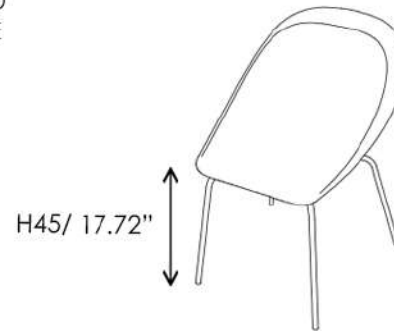
- WOOD
- STEEL
- FABRIC
- LEATHER

HOOP CHAIR

A wrap-around chair featuring smooth, rounded surfaces that create a small "lip" at the top for easier lifting and carrying.



METAL LEGS - RIGID POLYURETHANE SEAT



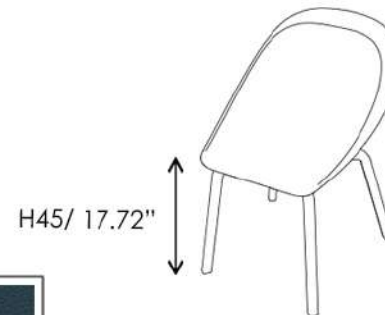
HOOP CHAIR 53

W 53 X D 61 X H 79 CM
W20.87" X D24.02" X H31.10"

METAL LEGS - UPHOLSTERY SEAT



WOOD LEGS - RIGID POLYURETHANE SEAT



HOOP CHAIR 54

W 54 X D 61 X H 79 CM
W21.26" X D24.02" X H31.10"

WOOD LEGS - UPHOLSTERY SEAT

