

FONDA

FINISHES

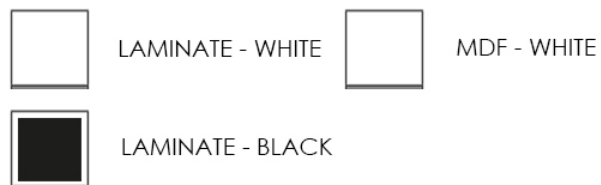
BASE FINISH: CONCRETE



STRUCTURE FINISH: STEEL



TOP FINISH



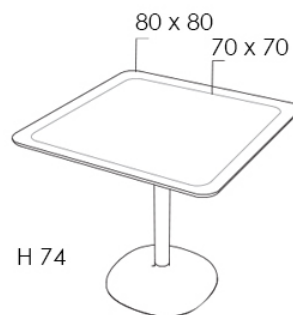
MATERIALS

- CONCRETE
- MDF
- LAMINATE
- STEEL

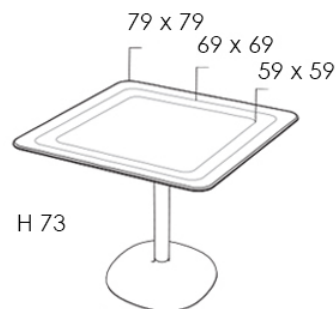
FONDA SQUARE TABLE

A bistro table with archetypal lines.
Consists of:

- Soft Round Base - Concrete Finish
- Cylindrical Metal Structure - Steel Finish
- Top - MDF or Laminate Finish



MDF ROUNDED TOP: H 74 - 70/ 80 CM
H 29.13" - 27.56"/ 31.49"



LAMINATE ROUNDED TOP: H 73 - 59/ 69/ 79 CM
H 28.74" - 23.23"/ 27.17"/ 31.10"

