

EVE

FINISHES

BASE FINISH: POLYETHYLENE

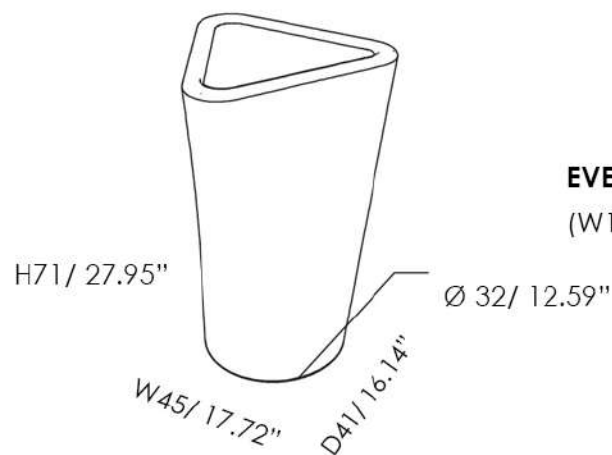


MATERIALS

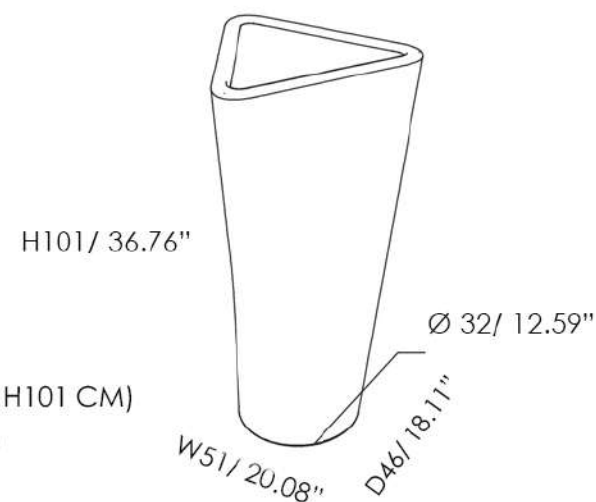
- POLYETHYLENE

EVE VASE

A three-dimensional vase,
which transitions from a round base.
Made of rotomolded polyethylene.
Can be used equally indoors or out.



EVE VASE LOW: (W45 X D41 X H71 CM)
(W17.72" X D16.14" X H27.95")



EVE VASE HIGH: (W51 X D46 X H101 CM)
(W20.08" X D18.11" X H36.76")