

**ADAM**

FINISHES

**BASE FINISH: POLYETHYLENE**



WHITE EASY CLEAN



CORAL RED



BASALT GREY



PINE

**TOP FINISH: LAMINATE**



WHITE



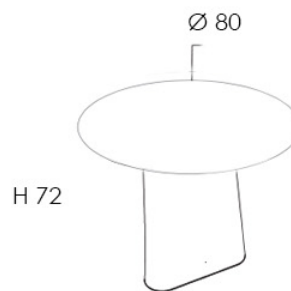
BLACK

**MATERIALS**

- POLYETHYLENE
- LAMINATE

**ADAM LAMINATE ROUND TABLE**

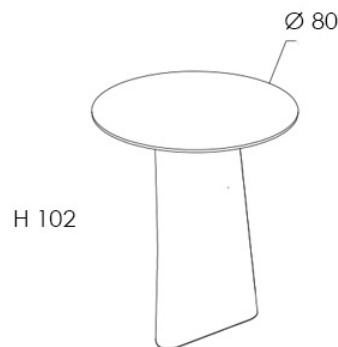
Indoor or Outdoor Bistro Table.  
Rotomolded polyethylene base.  
Circular top in integrated laminate.



H 72

Ø 80

**ADAM ROUND TABLE LOW:** H 72 - Ø 80 CM  
H 28.35" - Ø 31.49"



H 102

Ø 80

**ADAM ROUND TABLE HIGH:** H 102 - Ø 80 CM  
H 40.16" - Ø 31.49"