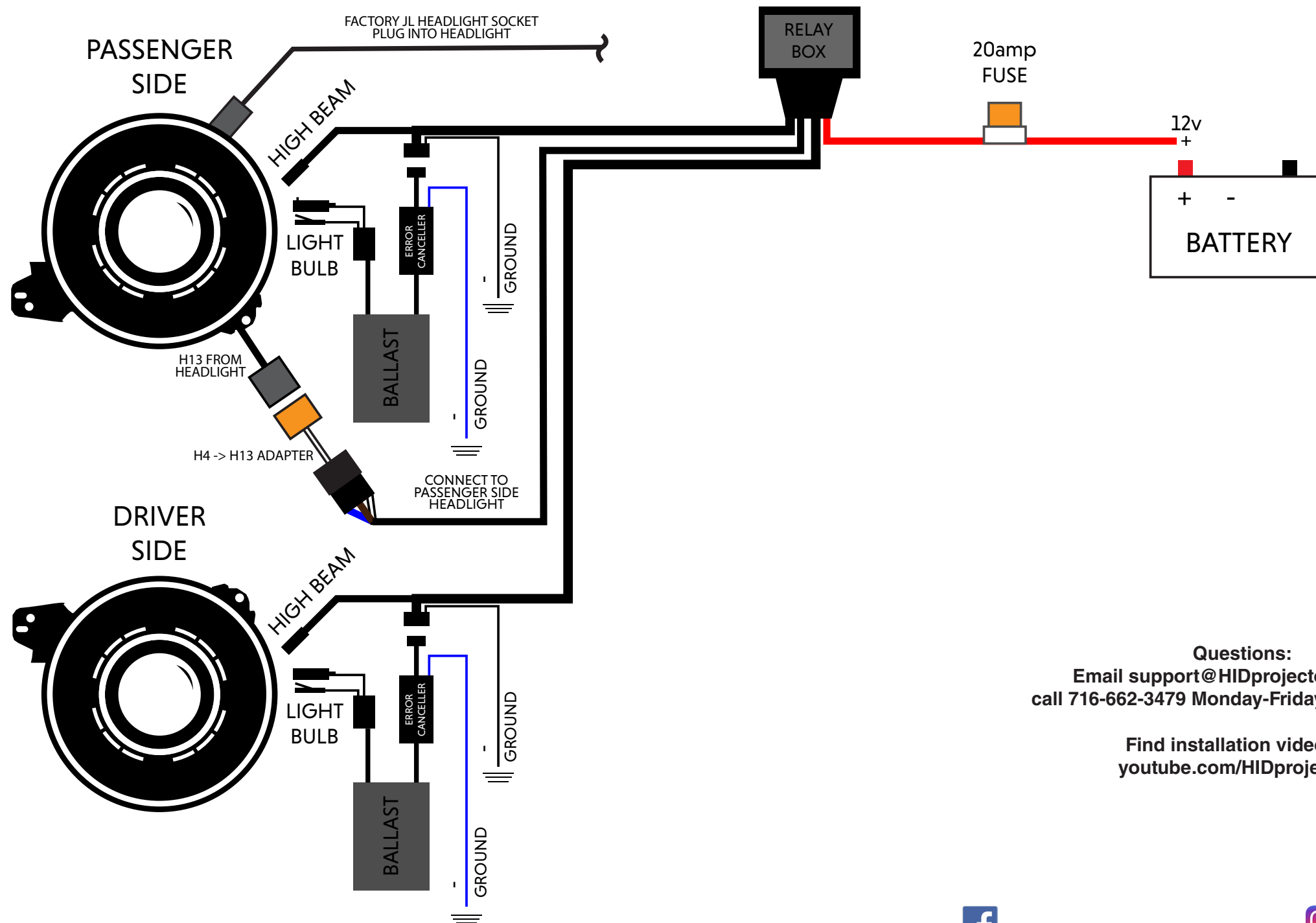


## INCLUDED IN KIT

- x2 Headlights
- x2 Ballasts
- x1 Wiring Harness
- x1 Packet Connector Protector
- x1 H4 to H13 Adapter



Questions:  
 Email [support@HIDprojectors.com](mailto:support@HIDprojectors.com) or  
 call 716-662-3479 Monday-Friday, 9am-5pm EST

Find installation videos at  
[youtube.com/HIDprojectors](https://www.youtube.com/HIDprojectors)

# COLOR CHANGING

# Angel Eyes / Halos

Each LED driver must be attached to the matching labeled connector to avoid possible damage.

# Devil Eye Use

Devil Eye must be OFF when headlights are in use. Running the Devil Eye at the same time as the HID bulb may result in premature failure to the LED on the Devil Eye.

# Bluetooth App

To download the smart phone app, search for these apps.

Apple App Store: Magic LED Light V2

Google Play Store: Magic Light BLE

Pair with the controller directly in the app. Do not pair in the phone settings. Pair within 60 seconds of powering on the controller.

