

2-Needle, 4-thread Overlock Sewing Machine

MO-114D/MO-104D

MO-214D/MO-204D

PARTS LIST

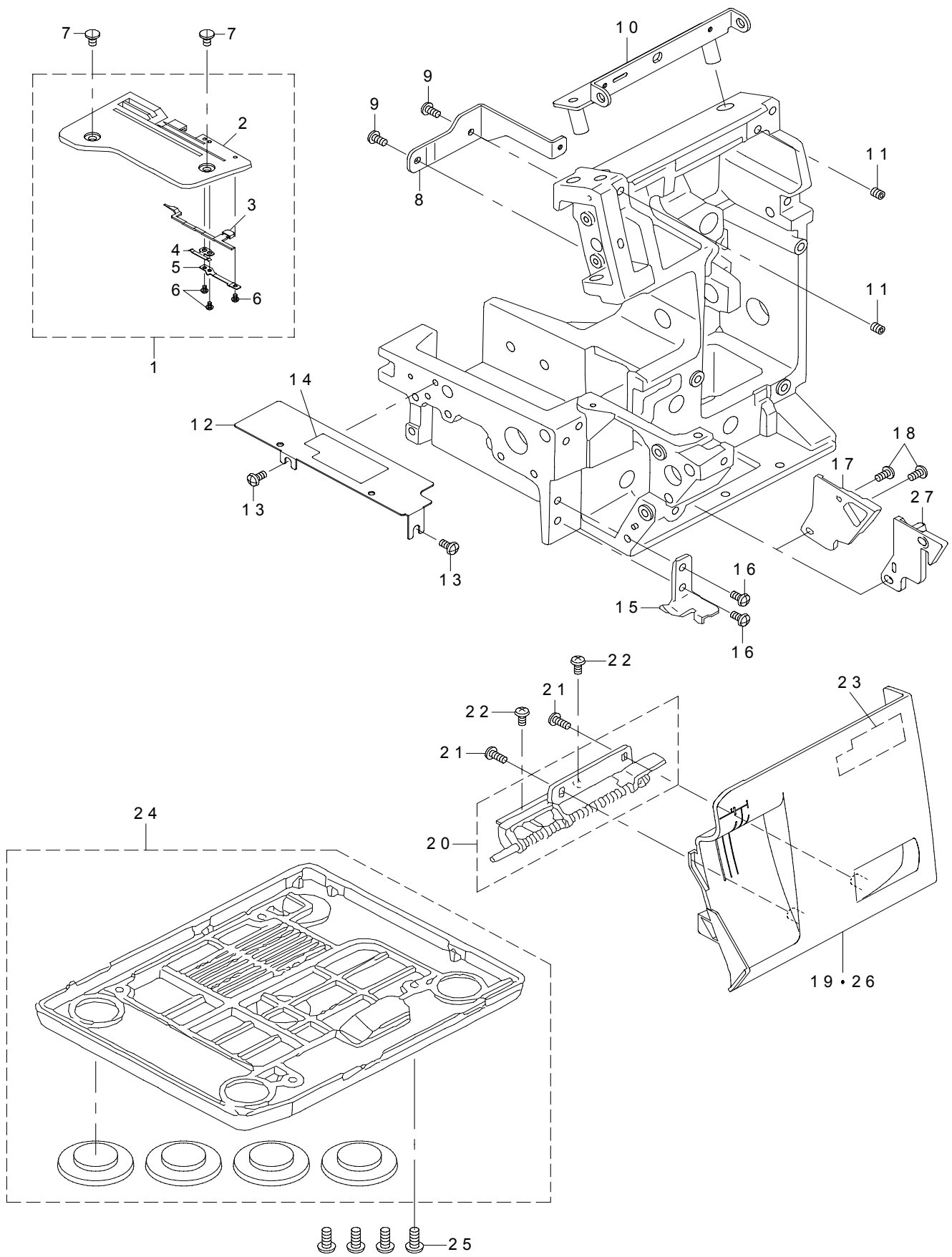
HOW TO MAKE USE OF THIS PARTS LIST

- 1.As to "#01" and "#02" refer to the "Note" given at the bottom of the respective pages.
- 2.Codes on the "Qty" column
 - Each numeral indicates the number of parts required.
 - "0.1" and "2.5" indicate the length (in meters) of the respective parts.
- 3.Parentheses mean that the corresponding part is a subpart that constructs an assembly part.
- 4.Dotted lines on the Figures indicate assembly parts.

CONTENTS

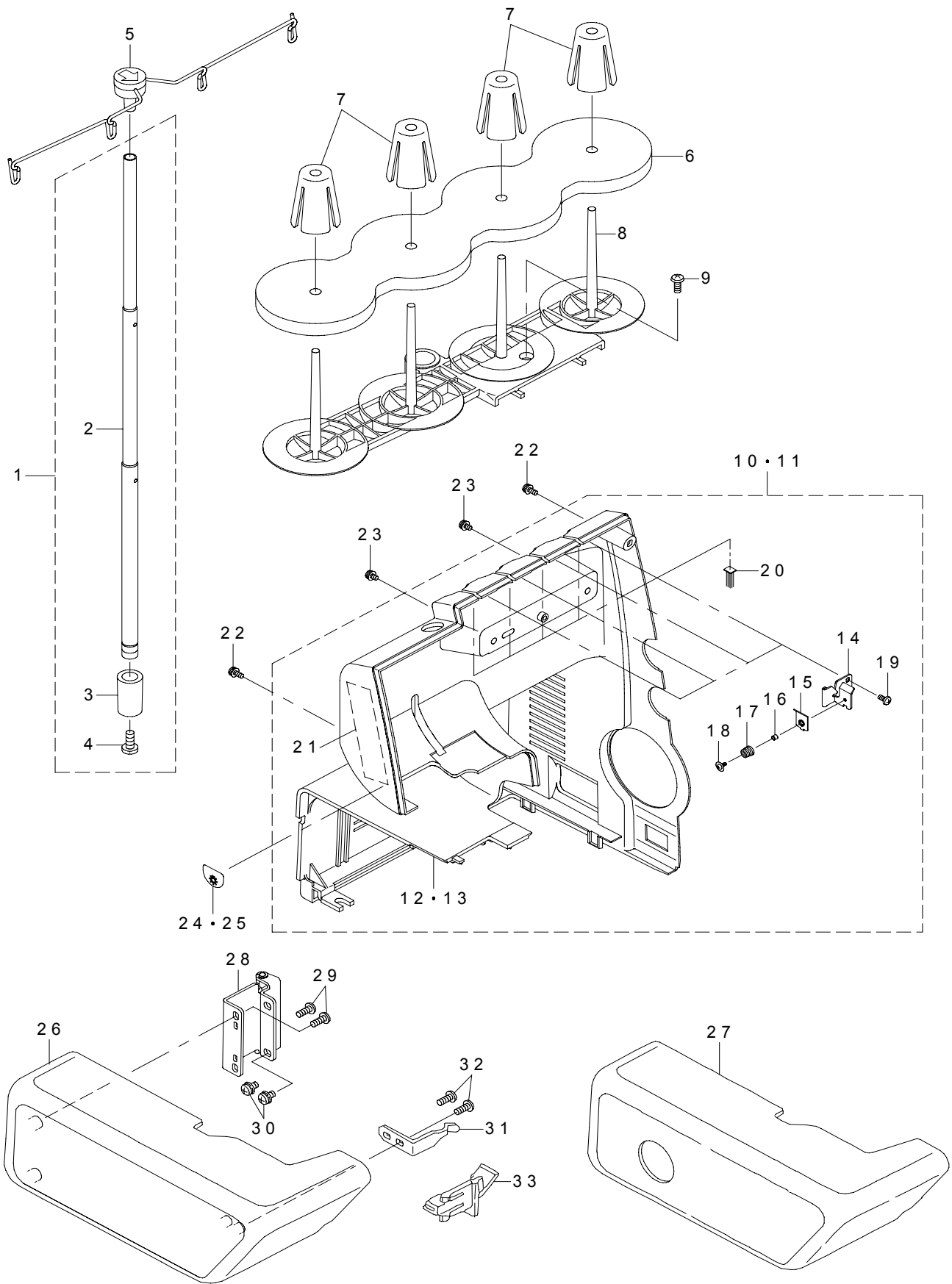
1. COVER COMPONENTS (1)	1
2. COVER COMPONENTS (2)	3
3. MAIN SHAFT COMPONENTS	5
4. PRESSER FOOT COMPONENTS (1) & NEEDLE BAR COMPONENTS	7
5. PRESSER FOOT COMPONENTS (2)	9
6. FEED MECHANISM COMPONENTS (FOR MO-114D)	11
7. FEED MECHANISM COMPONENTS (FOR MO-104D)	13
8. LOOPER DRIVE COMPONENTS	15
9. THREAD TENSION COMPONENTS	17
10. KNIFE DRIVE COMPONENTS	19
11. LAMP & FOOT CONTROLLER COMPONENTS	21
12. MOTOR COMPONENTS	23
13. ACCESSORIES COMPONENTS (FOR MO-114D)	25
14. ACCESSORIES COMPONENTS (FOR MO-104D)	27
NUMERICAL INDEX OF PARTS	29

1. COVER COMPONENTS (1)



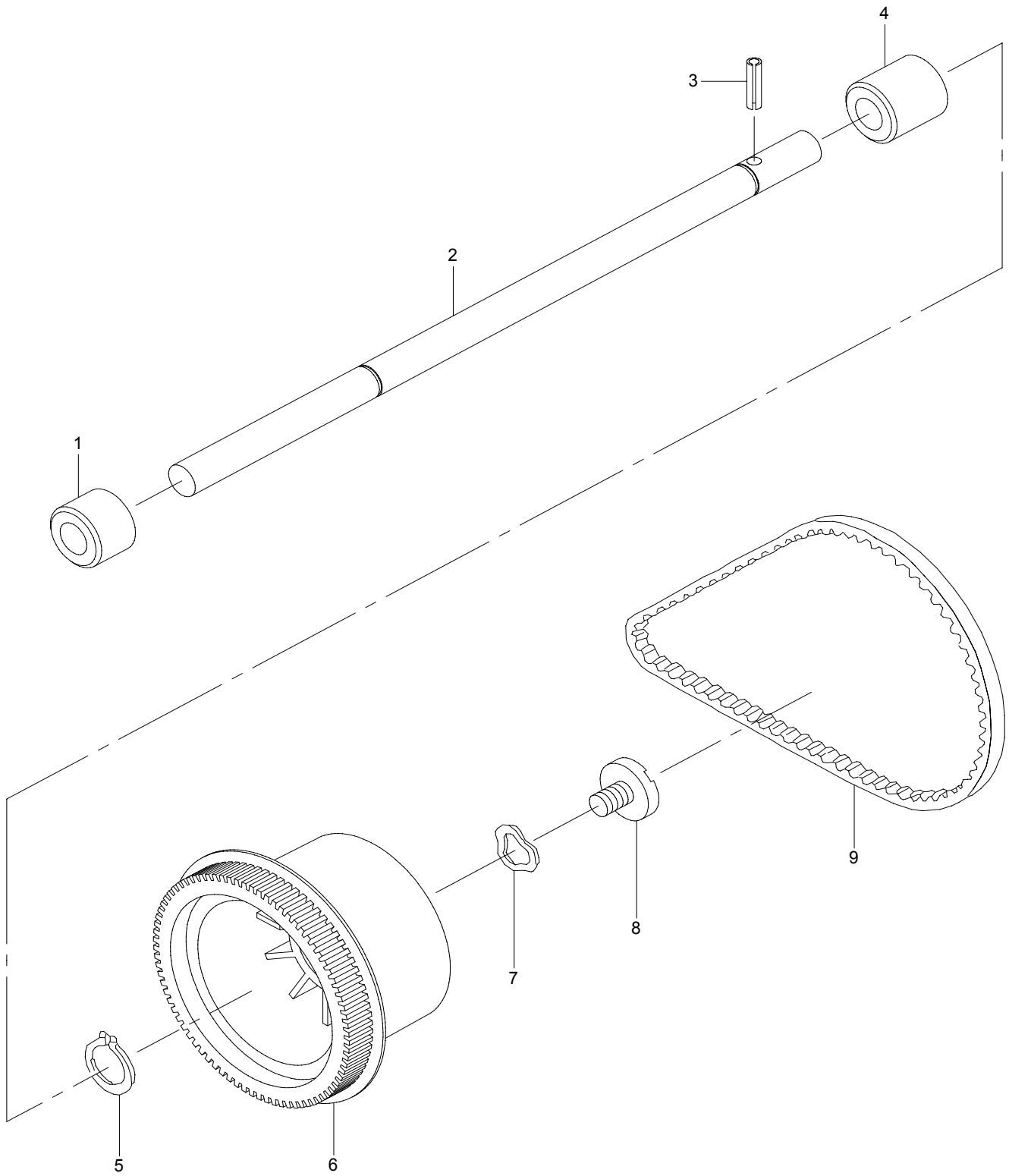
REF.NO	NOTE	PART NO	DESCRIPTION	Qty
1		A1115-110-0B0-A	THROAT PLATE (MAS.ASM.)	1
2		A1115-110-0A0	THROAT PLATE (ASM.)	(1)
3		A1136-314-DA0-A	THROAT PLATE THREAD SLIP	(1)
4		A1131-203-000	SPRING	(1)
5		A1132-334-000	THRESD SLIP GUIDE	(1)
6		SM-4020351-SC	SCREW	(3)
7		A1138-335-000	THROAT PLATE SETSCREW	2
8		A1145-800-000	FRONT COVER FIXING PLATE	1
9		SM-5040855-SN	SCREW	2
10		A1140-800-0A0	REAR COVER FIXING PLATE	1
11		SM-8050602-TP	SCREW M5 L=6	2
12		A1135-535-000	OP COVER	1
13		SM-5040855-SN	SCREW	2
14		A9196-524-000	CAUTION LABEL	1
15		A1164-535-000	CLOTH PLATE PRESSER PLATE (G)	1
16		SM-5040855-SN	SCREW	2
17	#01	A1156-654-000-A	LOOPER COVER GUIDE	1
18		SM-4040855-SN	SCREW M4 L=8	2
19	#01	A1151-14D-0A0	LOOPER COVER ASM.	1
20		A1153-800-0A0	LOOPER COVER HINGE ASM.	1
21		ST-5041051-SN	SCREW	2
22		SM-5040855-SN	SCREW	2
23		A9196-524-000	CAUTION LABEL	1
24		A1102-113-0A0	BASE PLATE ASM.	1
25		SM-5051255-SN	SCREW	4
26	#02	401-66097	LOOPER_COVER_MO104D_ASM.	1
27	#02	A1156-644-000	LOOPER COVER GUIDE	1
		NOTE	#01....FOR MO-114D #02....FOR MO-104D	

2. COVER COMPONENTS (2)



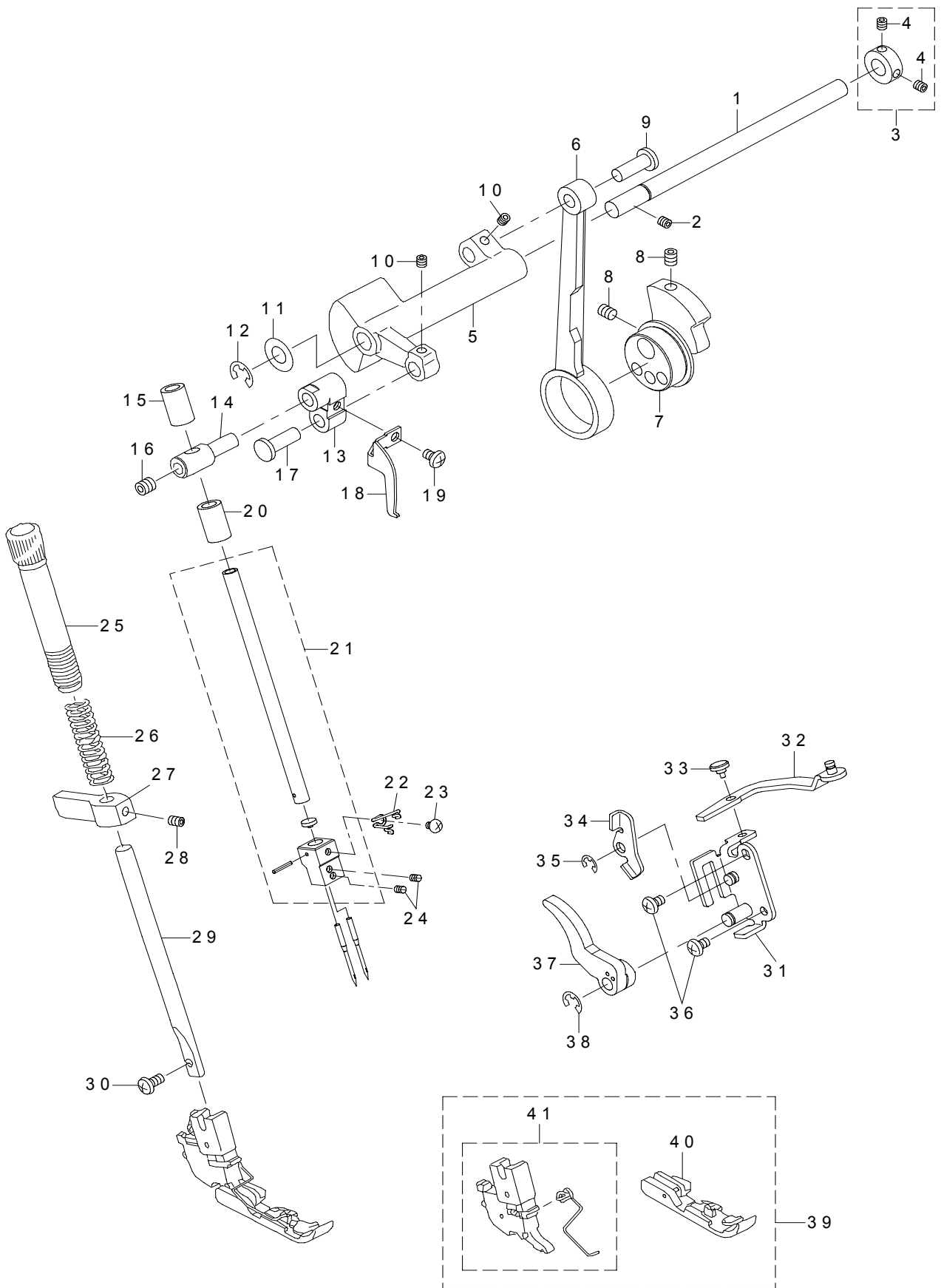
REF.NO	NOTE	PART NO	DESCRIPTION	Qty
1		A1120-776-0A0-B	SUPPORTING ROD ASM.	1
2		400-82787	THREAD_GUIDE_POST_L	(1)
3		A1129-776-000-B	SUPPORTING ROD SETTING BASE	(1)
4		SM-5051255-SN	SCREW	(1)
5		A1121-110-0A0	SPOOL HOLDER THR.GUIDE ASM.	1
6		A1121-776-000	FOAM PAD	1
7		A1120-202-000	SPOOL RETAINER	4
8		A1118-776-000-B	SPOOL HOLDER	1
9		ST-5041051-SN	SCREW	1
10	#01	A1106-14D-0A0	REAR COVER ASM.	1
11	#02	401-67421	REAR_COVER_ASM.	1
12	#01	A1106-14D-000	REAR COVER	(1)
13	#02	401-67418	REAR_COVER_104D	(1)
14		A3303-800-000	1ST THR.GUIDE INSTALLING BASE	(4)
15		A3171-800-000	1ST THR.GUIDE DISK	(4)
16		A3176-776-000	1ST THR.GUIDE COLLAR	(4)
17		401-43792	1ST_THREAD_GUIDE_SPRING	(4)
18		A3107-776-000-A	1ST THR.GUIDE DISK SCREW	(4)
19		ST-5030651-SN	TAPPING SCREW D=3 L=6	(4)
20		A3185-113-000	THREAD TENSION PILE	(4)
21		A6018-800-000	LAMP SHIELDING SEAL	(1)
22		SL-5030831-SF	SCREW M3 L=8	2
23		SL-5030631-SF	SCREW M3 L=6	2
24	#03	A3121-800-000	LAMP INSTR.STICKER(15W)	1
25	#04	A3121-800-A00	LAMP INSTR.STICKER(10W)	1
26	#01	A1104-644-000-B	CLOTH PLATE	1
27	#02	A1104-64D-000-B	CLOTH PLATE	1
28		A1161-535-0A0	CLOTH PLATE HINGE ASM.	1
29		ST-5041051-SN	SCREW	2
30		SL-4040855-SN	SCREW M4 L=8	2
31		A1160-634-000	CLOTH PLATE OPENING SPRING	1
32		ST-5041051-SN	SCREW	2
33		A1104-644-A00-A	CLOTH PLATE COVER	1
		NOTE	#01....FOR MO-114D	
			#02....FOR MO-104D	
			#03....FOR UL	
			#04....FOR BS/CE/CH	

3. MAIN SHAFT COMPONENTS



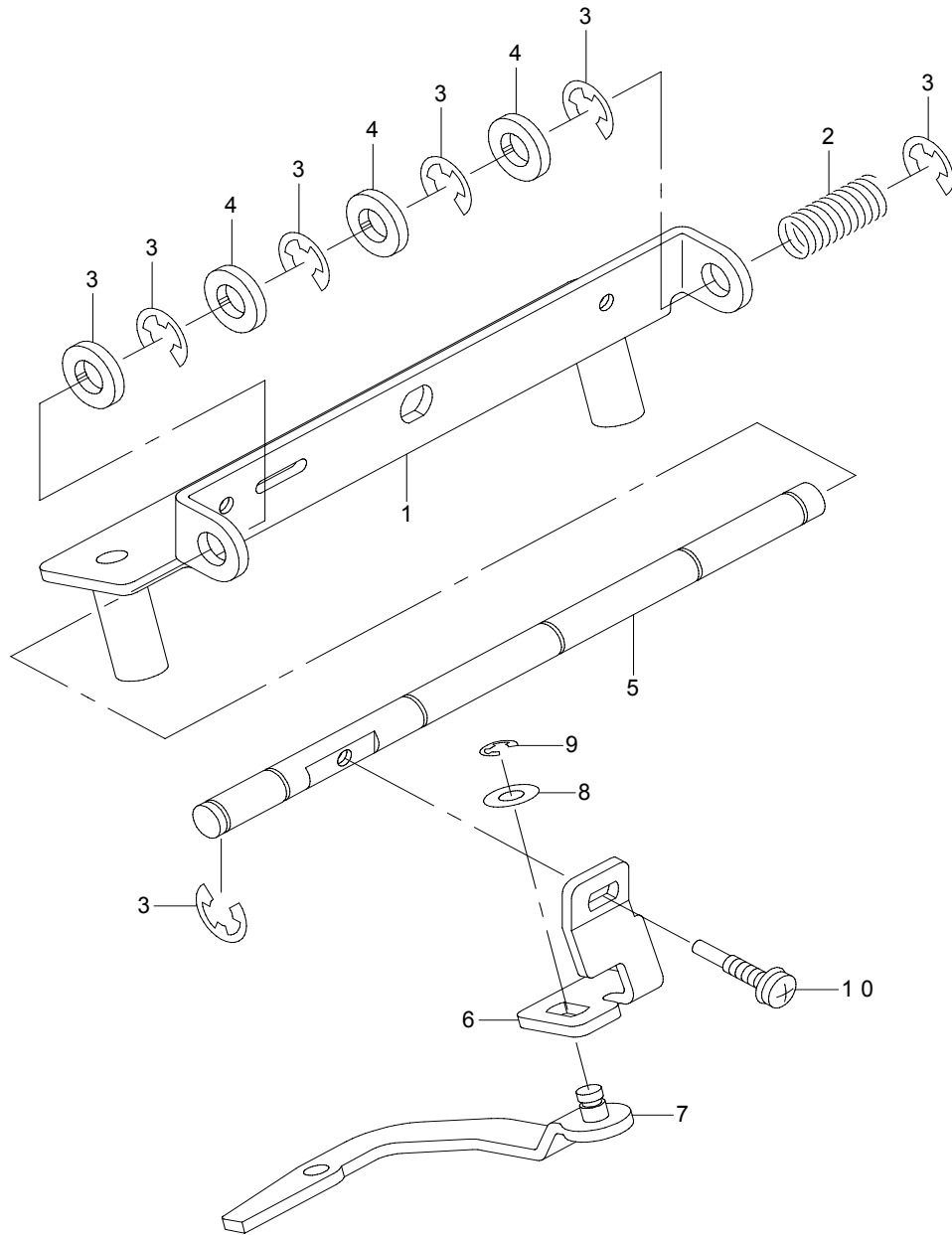
REF.NO	NOTE	PART NO	DESCRIPTION	Qty
1		A1206-335-000	MAIN SHAFT BUSHING FRONT	1
2		400-71772	MAIN SHAFT	1
3		PS-0400222-KP	SPRING PIN	1
4		A1206-202-000	MAIN SHAFT BUSHING	1
5		A1206-102-000	C RING	1
6		A1202-113-000	HAND WHEEL	1
7		A1206-535-000	HANDWHEEL WASHER	1
8		A1230-500-000-A	HANDWHEEL SETSCREW	1
9		A1205-634-000	TIMING BELT	1

4. PRESSER FOOT COMPONENTS (1) & NEEDLE BAR COMPONENTS



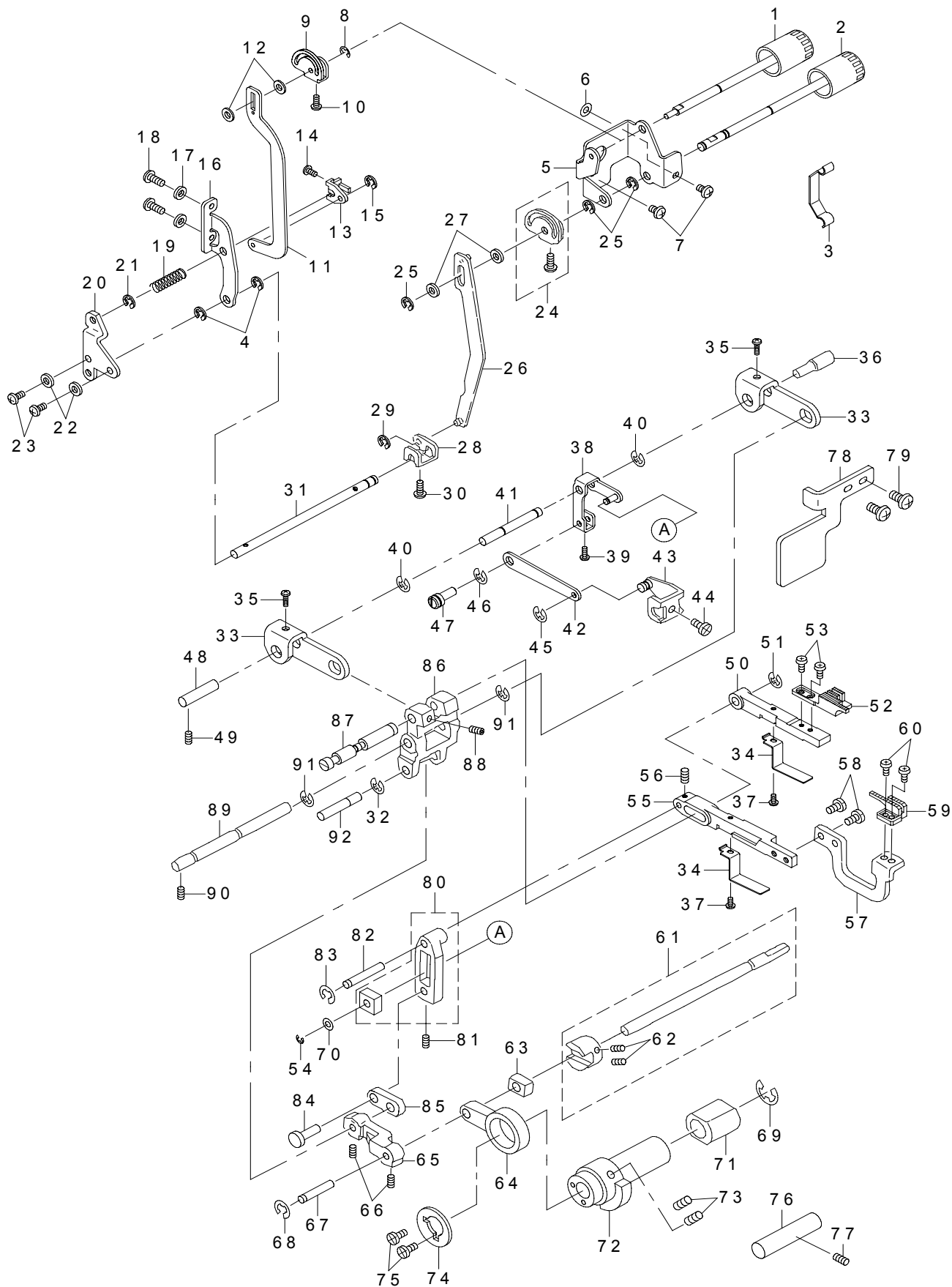
REF.NO	NOTE	PART NO	DESCRIPTION	Qty
1		A1404-535-000	NEEDLE BAR DRIVING SHAFT	1
2		SM-8040402-TP	SCREW M4X0.7 L=4	1
3		A1414-502-0A0	THRUST COLLAR ASM.	1
4		SM-8040402-TP	SCREW M4X0.7 L=4	(2)
5		A1402-535-000	NEEDLE BAR CRANK	1
6		A1403-335-000-A	NEEDLE BAR CRANK ROD	1
7		A1401-535-000-A	NEEDLE BAR DRIVING CAM	1
8		SM-8050612-TP	SCREW M5X6	2
9		A1403-102-000	CONNECTING PIN	1
10		SM-8040402-TP	SCREW M4X0.7 L=4	2
11		WP-0820516-SP	WASHER 11.6X8.2X0.6	1
12		RE-0600000-K0	E-RING 6	1
13		A1412-535-000	NEEDLE BAR LINK	1
14		A1411-335-000	CLOTH PLATE FIXING SPRING	1
15		A1407-102-000	NEEDLE BAR BUSHING LOWER	1
16		SM-8060602-TP	SCREW M6X6	1
17		A1403-102-000	CONNECTING PIN	1
18		A1412-534-000	NEEDLE THREAD TAKE-UP	1
19		SM-4040655-SN	SCREW M4X0.7 L=6	1
20		A1407-102-000	NEEDLE BAR BUSHING LOWER	1
21		A1406-534-0A0	NEEDLE BAR ASM.	1
22		A1409-534-000	NEEDLE BAR GUIDE	1
23		SM-4030455-SN	SCREW	1
24		A1416-777-000	NEEDLE SCREW	2
25		A1503-634-000	PRESSER FOOT ADJUSTING SCREW	1
26		A1501-535-000	PRESSER SPRING	1
27		A1502-535-000	PRESSER BAR GUIDE BRACKET	1
28		SM-8050402-TP	SCREW	1
29		A1507-535-000	PRESSER BAR	1
30		SM-5040855-SN	SCREW	1
31		A1504-9DC-0A0-A	LIFTING LEVER SET PLATE ASM.	1
32		A1573-9DC-0A0	THR.TENS.RELEASE LINK ASM.	1
33		A1569-9DC-000	THR.TENS.RELEASE LINK PIN	1
34		A1572-9DC-000	THR.TENS.RELEASE DRIVING ARM	1
35		RE-0400000-K0	E-RING 4	1
36		SM-4040655-SN	SCREW M4X0.7 L=6	2
37		A1506-9DC-000-A	LIFTING LEVER	1
38		RE-0500000-K0	E-RING	1
39		A1501-800-0C0-A	PRESSER FOOT MAS.ASM.	1
40		A1501-800-0A0	PRESSER FOOT ASM.	(1)
41		A1514-800-0B0-A	PRESSER FOOT SHANK ASM.	(1)

5. PRESSER FOOT COMPONENTS (2)



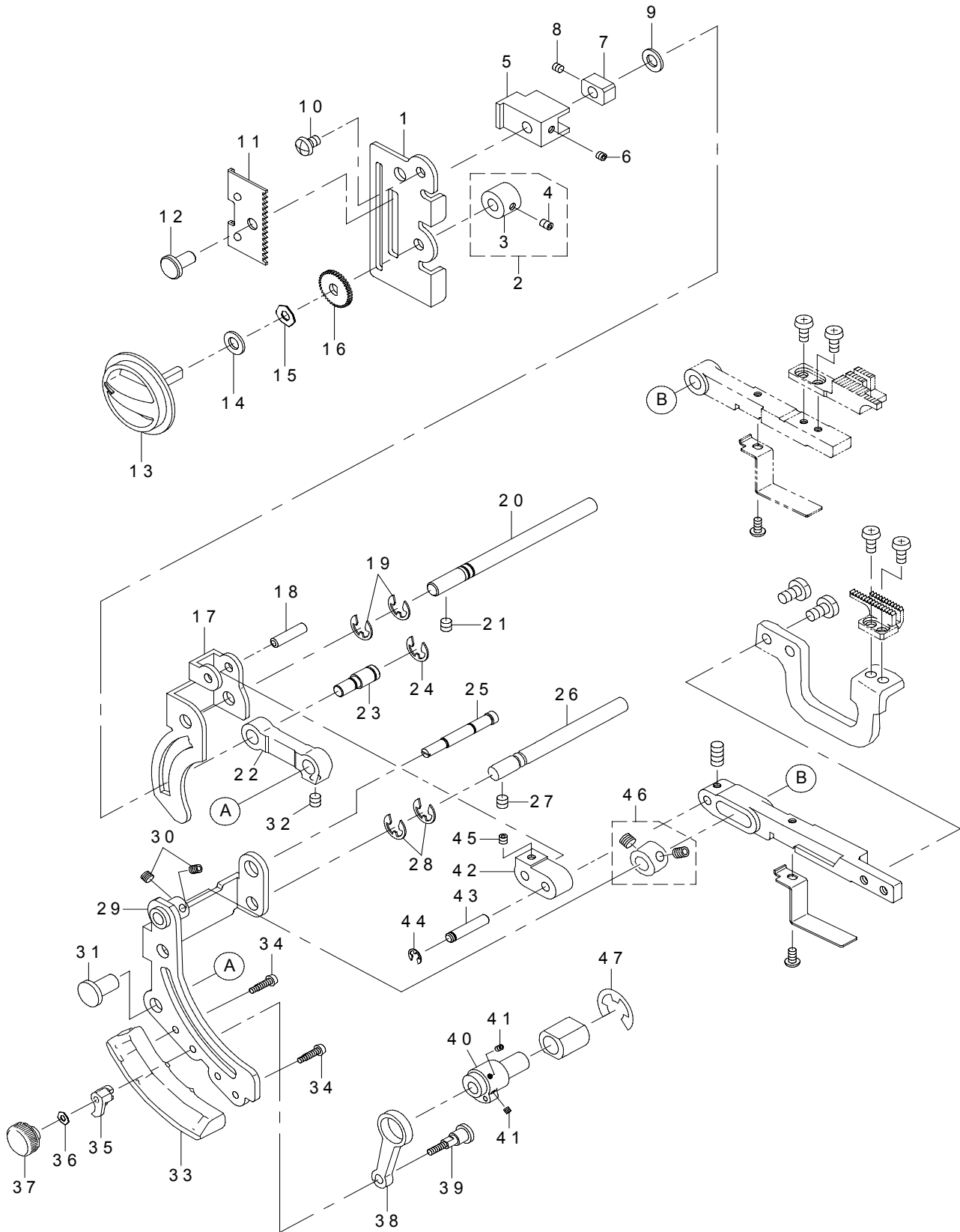
REF.NO	NOTE	PART NO	DESCRIPTION	Qty
1		A1140-800-0A0	REAR COVER FIXING PLATE	1
2		A1574-110-000	SPRING	1
3		RE-0500000-K0	E-RING	6
4		A1577-110-000	WASHER	4
5		A1573-800-000	SHAFT	1
6		A1574-800-000	ADJUSTMENT ARM	1
7		A1573-9DC-0A0	THR.TENS.RELEASE LINK ASM.	1
8		A1577-110-000	WASHER	1
9		RE-0300000-K0	E-RING 3	1
10		A1208-700-000	SCREW R	1

6. FEED MECHANISM COMPONENTS (FOR MO-114D)



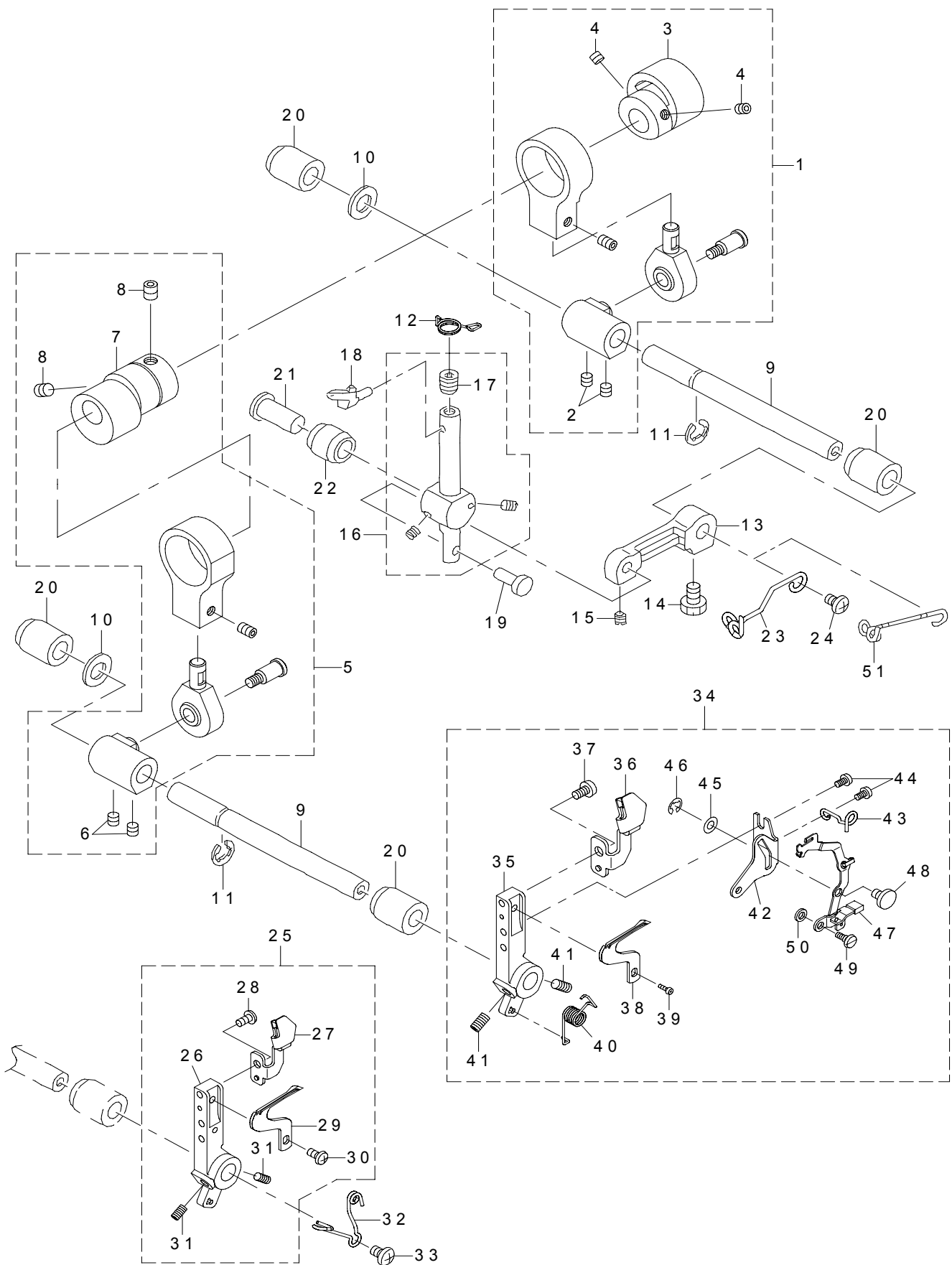
REF.NO	NOTE	PART NO	DESCRIPTION	Qty
1		A1601-800-000	STITCH LENGHT ADJUSTNG KNOB	1
2		A1602-800-000	DIF.FEED ADJUSTING KNOB	1
3		A1611-655-000	KNOB HOLDING PLATE	1
4		RE-0500000-K0	E-RING	2
5		A1610-655-000	FEED KNOB SUPPORT PLATE	1
6		WP-0410516-RZ	WASHER	1
7		SM-4040655-SN	SCREW M4X0.7 L=6	2
8		RE-0400000-K0	E-RING 4	1
9		A1613-655-000	MAIN FEED ADJUSTING CAM	1
10		SM-5030855-SN	SCREW	1
11		A1619-655-0A0	MAIN FEED ADJUSTING LINK (A)	1
12		WP-0410516-RZ	MAIN FEED ADJUSTING CAM WASHER	2
13		A1630-534-D00	MAIN FEED ADJUSTING ARM	1
14		SM-5030655-SN	SCREW M3X0.5 L=6	1
15		RE-0300000-K0	E-RING 3	1
16		A1634-655-000-A	FEED ADJ.SHAFT SUPPORT PLATE	1
17		WP-0430801-SC	WASHER M4	2
18		SM-5041055-SN	SCREW M4X10	2
19		A1633-534-D00	SPRING	1
20		A1635-534-D00	BEARING	1
21		RE-0500000-K0	E-RING	1
22		WP-0450816-SC	WASHER	2
23		SM-5041055-SN	SCREW M4X10	2
24		A1637-534-DA0	DIF.FEED ADJ.CAM ASM.	1
25		RE-0400000-K0	E-RING 4	3
26		A1620-534-DA0	DIF.FEED ADJUSTING LINK	1
27		A1614-534-D00	COLLAR	2
28		A1655-534-D00	DIF.FEED.ADJ.ARM	1
29		RE-0300000-K0	E-RING 3	1
30		SM-5030655-SN	SCREW M3X0.5 L=6	1
31		A1662-655-000-A	SHAFT	1
32		RE-0400000-K0	E-RING 4	1
33		A1660-534-D00-A	DIF.FEED SHAFT HOLDER	1
34		A1616-030-Z00	SPRING	2
35		SM-5031001-SE	SCREW M3 L=10	2
36		A1664-534-D00	SHAFT	1
37		SM-4030655-SP	SCREW	2
38		A1661-800-0A0	SUB FEED ADJUSTING ARM (A)ASM.	1
39		SM-5030855-SN	SCREW	1
40		RE-0500000-K0	E-RING	2
41		A1660-800-000	SUB FEED ADJ.ARM SHAFT	1
42		A1653-776-000	DIF.FEED ADJUSTING LINK A	1
43		A1657-534-DA0	SUB FEED ADJ.ARM SHAFT B ASM.	1
44		SM-5030655-SN	SCREW M3X0.5 L=6	1
45		RE-0300000-K0	E-RING 3	1
46		RE-0500000-K0	E-RING	1
47		A1654-776-000-A	ECCENTRIC PIN	1
48		A1663-534-D00	DIF.FEED SHAFT (A)	1
49		SM-8040402-TP	SCREW M4X0.7 L=4	1
50		A1625-800-000	FEED BASE	1
51		RE-0500000-K0	E-RING	1
52		A1627-634-D00	MAIN FEED DOG	1
53		SM-4030655-SP	SCREW	2
54		RE-0300000-K0	E-RING 3	1
55		A1639-800-000	SUB FEED BASE	1
56		SM-8030302-TP	SCREW M3X0.5 L=3	1
57		A1648-535-000	DIF.FEED DOG SETTING BASE T	1
58		SM-9040700-SP	HEXAGONAL BOLT	2
59		A1648-800-000	SUB FEED DOG	1
60		SM-4030655-SP	SCREW	2
61		A1637-534-DA0	FEED REGULATOR (ASM.)	1
62		SM-8030402-TP	SCREW M3X0.5 L=4	(2)
63		A1638-776-000	MAIN FEED SLIDE BLOCK	1
64		A1616-534-D00	MAIN FEED ROD	1
65		A1640-534-D00	MAIN FEED LINK	1
66		SM-8030402-TP	SCREW M3X0.5 L=4	2
67		A1639-534-D00	SHAFT	1
68		RE-0400000-K0	E-RING 4	1
69		RE-0900000-K0	E-RING 9	1
70		WP-0430801-SC	WASHER M4	1
71		A1630-535-000	VERTICAL FEED ADS.	1
72		A1617-534-D00-A	MAIN FEED CAM	1
73		SM-8040602-TP	SCREW M4X0.7 L=6	2
74		A1618-534-D00	THRUST PLATE	1
75		A1618-534-D0A	SCREW	2
76		A1612-535-000	FEED BASE GUIDE ROD	1
77		SM-8040402-TP	SCREW M4X0.7 L=4	1
78		A1613-535-000	FEED BASE GUIDE	1
79		SM-4040655-SN	SCREW M4X0.7 L=6	2
80		A1651-534-DA0	DIF.FEED ARM ASM.	1
81		SM-8030402-TP	SCREW M3X0.5 L=4	1
82		A1665-534-D00	SHAFT	1
83		RE-0300000-K0	E-RING 3	1
84		A2529-335-000	UPPER LOOPER ARM PIN	1
85		A1650-534-D00	DIF FEED LINK	1
86		A1645-534-D00	MAIN FEED ARM	1
87		A1646-534-D00	BASE SUPPORTING SHAFT	1
88		SM-8040402-TP	SCREW M4X0.7 L=4	1
89		A1647-534-D00	MAIN FEED SHAFT	1
90		SM-8040402-TP	SCREW M4X0.7 L=4	1
91		RE-0500000-K0	E-RING	1
92		A1641-534-D00	SHAFT	1

7. FEED MECHANISM COMPONENTS (FOR MO-104D)



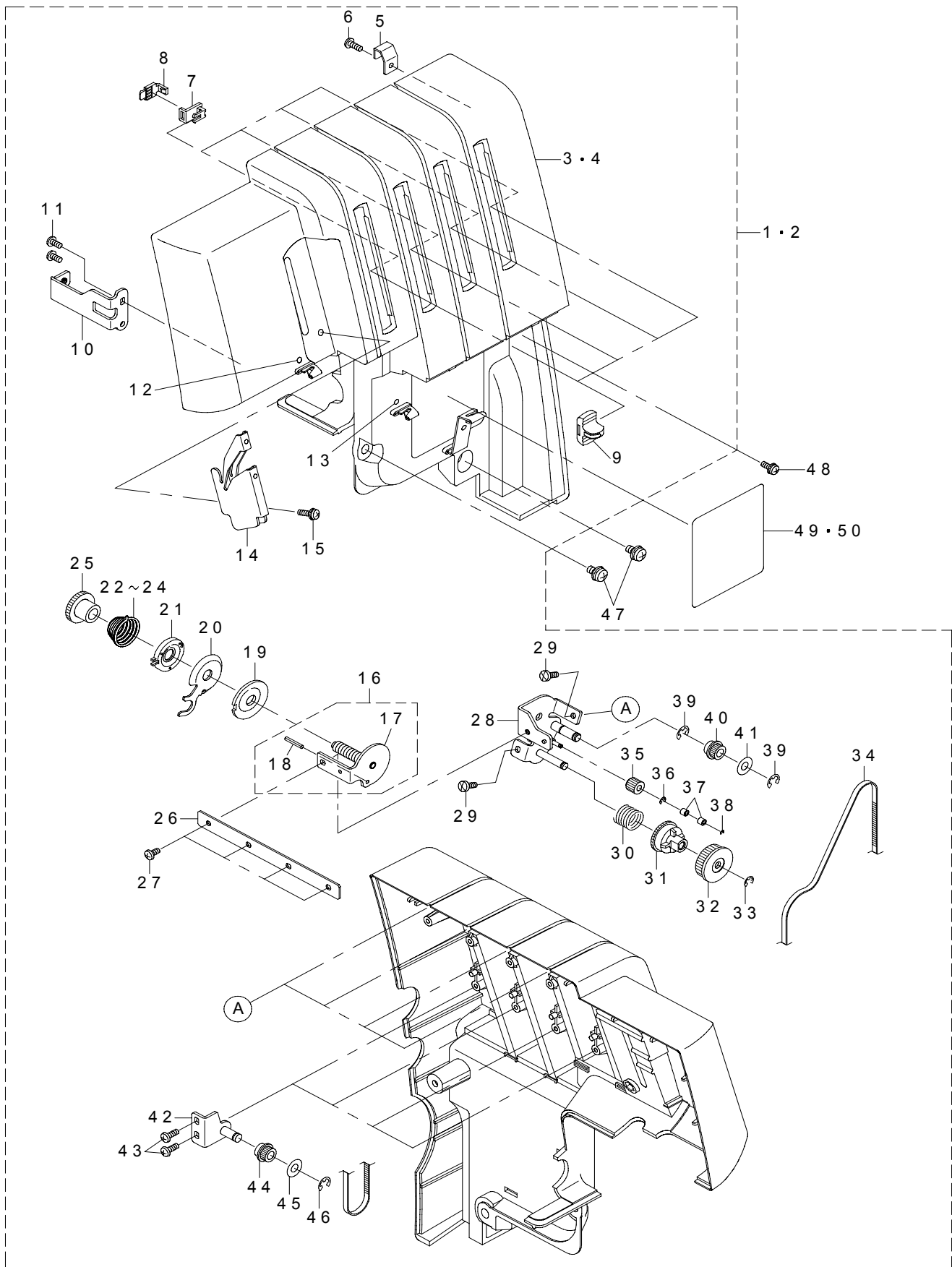
REF.NO	NOTE	PART NO	DESCRIPTION	Qty
1		A1674-52D-000	DIF FEED ADJUSTING PLATE	1
2		A1616-880-0A0	DIF FEED ADJUSTING THRUST COLLAR ASM.	1
3		A1616-880-000	THRUST COLLAR	(1)
4		SM-8030302-TP	SCREW M3X0.5 L=3	(1)
5		A1651-52D-000	DIF.FEED BLOCK GUIDE	1
6		SM-8030302-TP	SCREW M3X0.5 L=3	1
7		A1638-776-000	MAIN FEED SLIDE BLOCK	1
8		SM-8030302-TP	SCREW M3X0.5 L=3	1
9		WP-0531001-SC	WASHER 5.3X10X1	1
10		SM-5040655-SN	SCREW	1
11		A1675-52D-0A0	DIF.FEED ADJUSTING	1
12		A1676-52D-000	GUIDE PIN	1
13		A1602-64D-000-A	DIF.FEED ADJUSTING KNOB	1
14		WP-0531001-SC	WASHER 5.3X10X1	1
15		WZ-0540200-KH	WAVE WASHER 5.4X10X0.15	1
16		A1673-52D-000	DIF.FEED ADJUSTING GEAR	1
17		A1636-535-000-A	DIF.FEED ARM T	1
18		A1634-535-000	DIF.FEED ARM CONN.SHAFT	1
19		RE-0500000-K0	E-RING	2
20		A1637-52D-000	DIF.FEED SHAFT	1
21		SM-8040402-TP	SCREW M4X0.7 L=4	1
22		A1631-535-000	DIF.FEED ADJUSTING LINK	1
23		A1670-52D-000	DIF.FEED CONN.SHAFT	1
24		RE-0500000-K0	E-RING	1
25		A1626-535-000-A	FEED BASE SUPPORT SHAFT	1
26		A1622-535-000	HORIZONTAL FEED SHAFT	1
27		SM-8040402-TP	SCREW M4X0.7 L=4	1
28		RE-0500000-K0	E-RING	2
29		A1623-535-0A0	FEED BASE ARM	1
30		SM-8040302-TP	SETSCREW	2
31		A1620-335-000	HORIZONTAL FEED ARM PIN	1
32		SM-8040402-TP	SCREW M4X0.7 L=4	1
33		A1628-535-000-A	FEED ADJUSTING SCALE	1
34		ST-4861051-SN	TUPING SCREW	2
35		A1652-535-000	FEED ADJUSTING POINTER	1
36		WZ-0430200-KP	WASHER	1
37		A1650-534-000	FEED ADJUSTING KNOB	1
38		A1616-535-000	HORIZONTAL FEED CAM	1
39		A1651-535-000	FEED ADJUSTING ROD	1
40		A1617-534-000-A	HORIZONTAL FEED CAM	1
41		SM-8040602-TP	SCREW M4X0.7 L=6	2
42		A1637-535-000	DIF FEED LINK	1
43		A1635-535-000	DIF.FEED CONN.SHAFT	1
44		RE-0300000-K0	E-RING 3	1
45		SM-8030302-TP	SCREW M3X0.5 L=3	1
46		A1616-880-0A0	THRUST COLLAR ASM.	1
47		RE-0900000-K0	E-RING 9	1

8. LOOPER DRIVE COMPONENTS



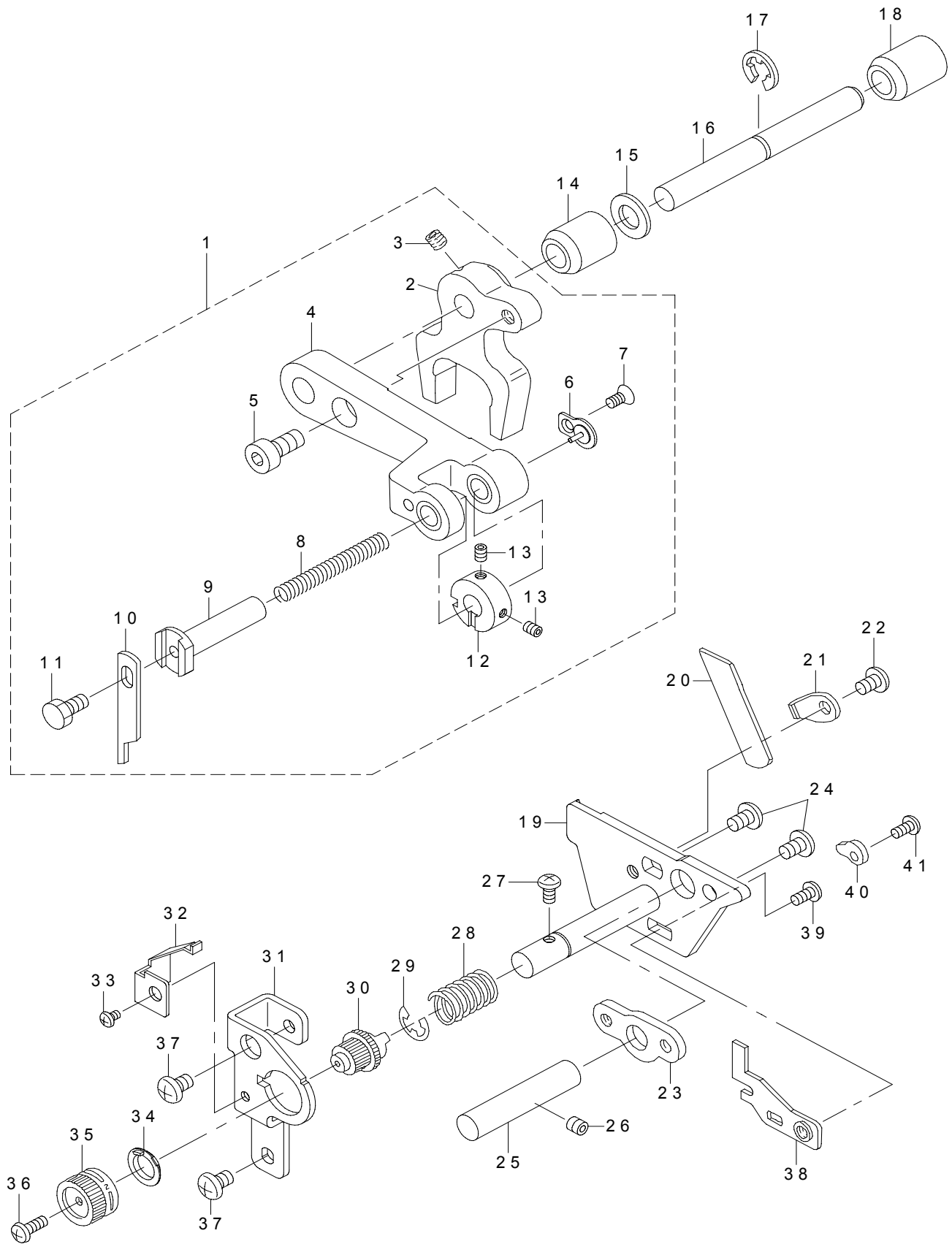
REF.NO	NOTE	PART NO	DESCRIPTION	Qty
1		400-61961	UPPER LOOPER CAM (ASM.)	1
2		SM-8040402-TP	SCREW M4X0.7 L=4	(2)
3		A2501-534-000-A	UPPER LOOPER CAM	(1)
4		SM-8040402-TP	SCREW M4X0.7 L=4	(2)
5		400-79513	LOWER LOOPER ROD (ASM.)	1
6		SM-8040402-TP	SCREW M4X0.7 L=4	(2)
7		A2514-534-00C	LOWER LOOPER CAM	(1)
8		SM-8050602-TP	SCREW M5 L=6	(1)
9		A2521-534-000	LOOPER SHAFT	2
10		WP-0820516-SP	WASHER 11.6X8.2X0.6	2
11		RE-0600000-K0	E RING 6	2
12		A2522-776-0A0	UPPER LOOPER THR. GUIDE (ASM.)	1
13		A2510-334-000	UPPER LOOPER OSC.ARM CONNCT	1
14		SM-9050850-SP	SCREW	1
15		SM-8040402-TP	SCREW M4X0.7 L=4	1
16		A2530-800-0A0	UPPER LOOPER SLIDE SHAFT ASM.	1
17		SM-8040402-TP	SCREW M4X0.7 L=4	(1)
18		A2512-776-000	UPPER LOOPER	1
19		A2529-335-000	UPPER LOOPER ARM PIN	1
20		A2561-777-000	BUSHING	4
21		A2531-534-000-A	UPPER LOOPER GUIDE SHAFT	1
22		A2561-777-000	BUSHING	1
23	#01	A2519-534-0A0	UPPER LOOPER THREAD TAKE-UP ASM.	1
24		SM-4040655-SN	SCREW M4X0.7 L=6	1
25	#02	A2517-800-0A0	LOWER LOOPER SUPP.ARM ASM.	1
26		400-67886	LOWER_LOOPER_SUPPORT_ARM	(1)
27		A2536-800-000-A	NEEDLE GUARD	(1)
28		SM-5030655-SN	SCREW M3X0.5 L=6	(1)
29		A2526-335-00S	LOWER LOOPER	(1)
30		SM-5030655-SN	SCREW M3X0.5 L=6	(1)
31		SM-8040602-TP	SCREW M4X0.7 L=6	(2)
32		A2520-534-0A0	LOWER THREAD GUIDE	1
33		SM-4040655-SN	SCREW M4X0.7 L=6	1
34	#01	A2517-80L-0A0	LOWER LOOPER SUPP.ARM ASM.	1
35		400-67886	LOWER_LOOPER_SUPPORT_ARM	(1)
36		A2536-800-000-A	NEEDLE GUARD	(1)
37		SM-5030655-SN	SCREW M3X0.5 L=6	(1)
38		A2526-335-00A	LOWER LOOPER	(1)
39		SM-5030655-SN	SCREW M3X0.5 L=6	(1)
40		A2537-335-00S-A	SPRING	(1)
41		SM-8040602-TP	SCREW M4X0.7 L=6	(2)
42		A2533-335-00S	LOWER LOOPER THR. GUIDE BASE	(1)
43		A2520-654-0A0	LOW.LOOPER THREAD TAKE-UP	(1)
44		SM-5030655-SN	SCREW M3X0.5 L=6	(2)
45		A2539-335-00S	WASHER	(1)
46		RE-0200000-K0	E-RING 2	(1)
47		A2534-654-0B0-A	LOWER LOOPER THREAD GUIDE ARM	(1)
48		A2532-335-00S	CONNECTING PIN	(1)
49		A2531-335-00S	SCREW	(1)
50		WP-0320501-SC	WASHER M3	(1)
51	#02	A2519-634-0A0	UPPER LOOPER THREAD TAKE-UP ASM.	1
		NOTE	#01....FOR MO-114D	
			#02....FOR MO-104D	

9. THREAD TENSION COMPONENTS



REF.NO	NOTE	PART NO	DESCRIPTION	Qty
1	#01	401-66046	FRONT_COVER_MO114D_ASM.	1
2	#02	401-66100	FRONT_COVER_MO104D_ASM.	1
3	#01	A3101-800-000-A	FRONT_COVER	(1)
4	#02	A3101-70D-000-A	FRONT_COVER	(1)
5		A3158-634-000	FRONT COVER FIX PLATE (A)	(1)
6		ST-5030851-SN	SCREW M5X8	(1)
7		A3106-800-000	THREAD TENSION ADJUSTING KNOB BASE	(4)
8		A3107-800-000	THREAD TENSION BELT STOPPER	(4)
9		A3105-800-000	THREAD TENSION ADJUSTING KNOB	(4)
10		A3119-110-000	FRONT COVER INSTALL. HOLDER	(1)
11		ST-5030851-SN	SCREW M5X8	(2)
12		A3181-324-000	SEAL	(1)
13		A3150-335-000	BLUE SEAL	(1)
14		A3115-800-0A0	NEEDLE THREAD TAKE-UP GUIDE ASM.	(1)
15		SL-5031031-SN	SCREW	(1)
16		A3148-800-0B0	THREAD TENSION SHAFT PLATE MAS.ASM.	(1)
17		A3148-800-0A0	THREAD TENSION SHAFT PLATE ASM.	(1)
18		PS-0200122-KP	SPRING PIN TYPE W 2X12	(1)
19		A3910-634-000-B	THREAD TENSION DISC	(1)
20		A3126-800-000	THREAD TENSION DISC	(1)
21		A3900-634-000	SPRING HOLDER	(1)
22	#03	A3903-634-000	SPRING	(1)
23	#04	A3902-634-000	SPRING	(1)
24	#05	A3906-634-000	LOWER THREAD TENSION SPRING	(1)
25		A3134-800-000	THREAD TENSION ADJUSTING GEAR	(1)
26		A3220-800-000	FIXING PLATE	(1)
27		SM-5030655-SN	SCREW M3X0.5 L=6	(4)
28		A3201-800-0A0	THREAD TENSION ADJUSTING BASE ASM.	(1)
29		ST-5030851-SN	SCREW M5X8	(2)
30		A3208-800-000	SPRING	(1)
31		A3206-800-000	THREAD TENSION DRIVING GEAR	(1)
32		A3210-800-000	THREAD TENSION PULLEY	(1)
33		RE-0300000-K0	E-RING 3	(1)
34		A3122-800-000	THREAD TENSION DRIBING BELT	(1)
35		A3122-776-000	INTERMEDIATE GEAR	(1)
36		RE-0200000-K0	E-RING 2	(1)
37		A3176-776-000	1ST THR.GUIDE COLLAR	(2)
38		RE-0120000-K0	E-RING	(1)
39		RE-0400000-K0	E-RING 4	(2)
40		A3211-800-000	IDLER PULLEY	(1)
41		WP-0531001-SC	WASHER M5	(1)
42		A3215-800-0A0	IDLER BRACKET ASM.	(1)
43		ST-5030851-SN	SCREW M5X8	(2)
44		A3211-800-000	IDLER PULLEY	(1)
45		WP-0531001-SC	WASHER M5	(1)
46		RE-0400000-K0	E-RING 4	(1)
47		SL-5040835-SN	SCREW	2
48		SL-5030831-SF	SCREW M3 L=8	1
49	#01	A1190-80L-000	THREADING CHART	1
50	#02	A1190-800-000	THREADING CHART	1
		NOTE	#01...FOR MO-114D #02...FOR MO-104D #03...FOR LN #04...FOR RN/UL #05...FOR LL	

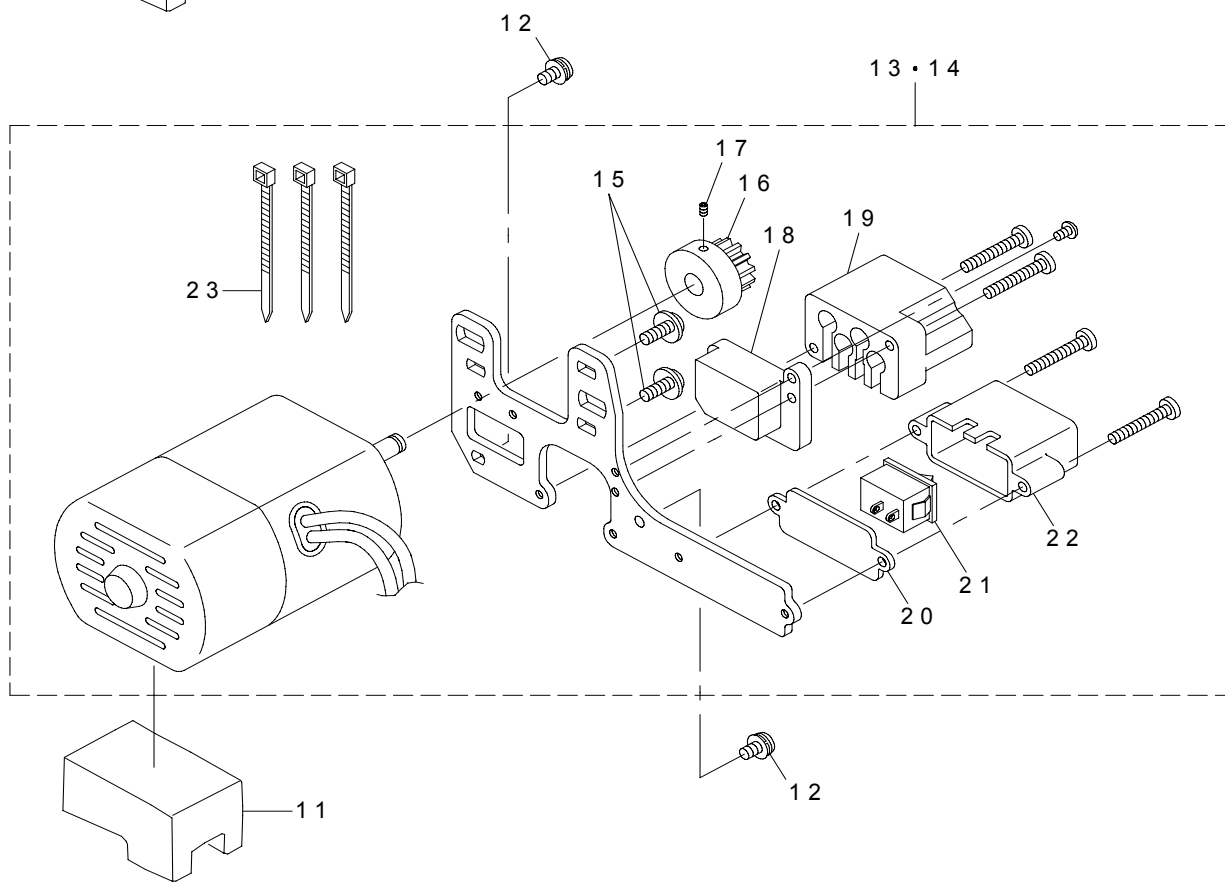
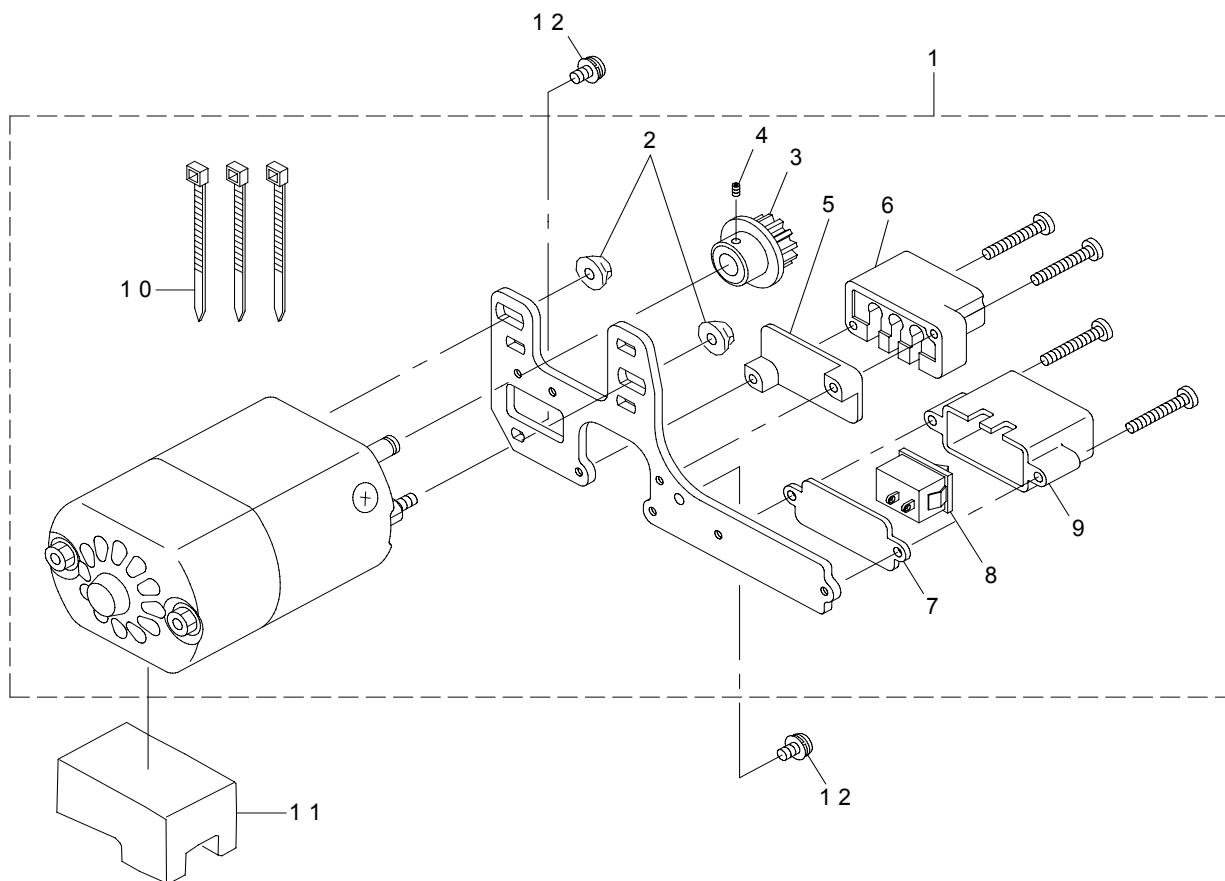
10. KNIFE DRIVE COMPONENTS



REF.NO	NOTE	PART NO	DESCRIPTION	Qty
1		A4101-800-0A0	UPPER KNIFE DRIVING ARM ASM.	1
2		400-72483	UPPER_KNIFE_DRIVING_ARM	(1)
3		SM-8040402-TP	SCREW M4X0.7 L=4	(1)
4		A4101-503-000-C	UPPER KNIFE ROCKING ARM	(1)
5		SM-6051002-TP	SCREW M5X0.8 L=10	(1)
6		A4107-502-0A0	KNIFE SPRING SUPPORTING PLATE ASM.	(1)
7		SM-1030601-SP	SCREW M3 L=6	(1)
8		A4106-535-000	KNIFE PRESSER SPRING	(1)
9		A4103-535-000	UPPER KNIFE HOLDER	(1)
10		A4142-335-000	UPPER KNIFE HOLDER SHAFT ASM.	(1)
11		SM-9040803-SD	BOLT M4X0.7 L=8	(1)
12		A4105-776-000-A	UPPER KNIFE TURNING KNOB	(1)
13		SM-8030402-TP	SCREW M3X0.5 L=4	(2)
14		A2112-204-000	SUB FEED ADJUSTING METAL	1
15		WP-0820516-SP	WASHER 11.6X8.2X0.6	1
16		A4108-535-000	UPPER KNIFE SHAFT	1
17		RE-0600000-K0	E-RING 6	1
18		A2561-777-000	BUSHING	1
19		A4121-535-00C	LOWER KNIFE HOLDER	1
20		A4145-335-000	LOWER KNIFE	1
21		A4123-335-000	LOWER KNIFE PRESSER PLATE	1
22		SM-4040655-SP	SCREW M4 L=6	1
23		A4139-655-000	LOWER KNIFE FOLDER	1
24		SM-4040655-SP	SCREW M4 L=6	2
25		A4125-502-000	LOWER KNIFE HOLDER SHAFT	1
26		SM-8040402-TP	SCREW M4X0.7 L=4	1
27		SM-4030601-SN	SCREW M3X6	1
28		A4136-335-000	LOWER KNIFE HOLDER SPRING	1
29		RE-0500000-K0	E-RING	1
30		A4128-535-000	LOWER KNIFE ADJ.CAM	1
31		400-61998	LOWER KNIFE ADJ. SUPPORT	1
32		A4140-535-000	L KNIFE ADJ CAM PRESSER SPRING	1
33		SM-4030455-SP	SCREW	1
34		A4132-535-000	LOWER KNIFE ADJUSTING BASE	1
35		A4130-654-000-A	LOWER KNIFE ADJ.KNOB	1
36		ST-5030851-SN	SCREW M5X8	1
37		SM-4040655-SN	SCREW M4X0.7 L=6	2
38		A4147-324-000	CLOTH WASTE COVER STOPPER	1
39		SM-4030601-SN	SCREW M3X6	1
40		A4124-335-000	LOWER KNIFE SUPPORTING PLATE	1
41		SM-4030655-SP	SCREW	1

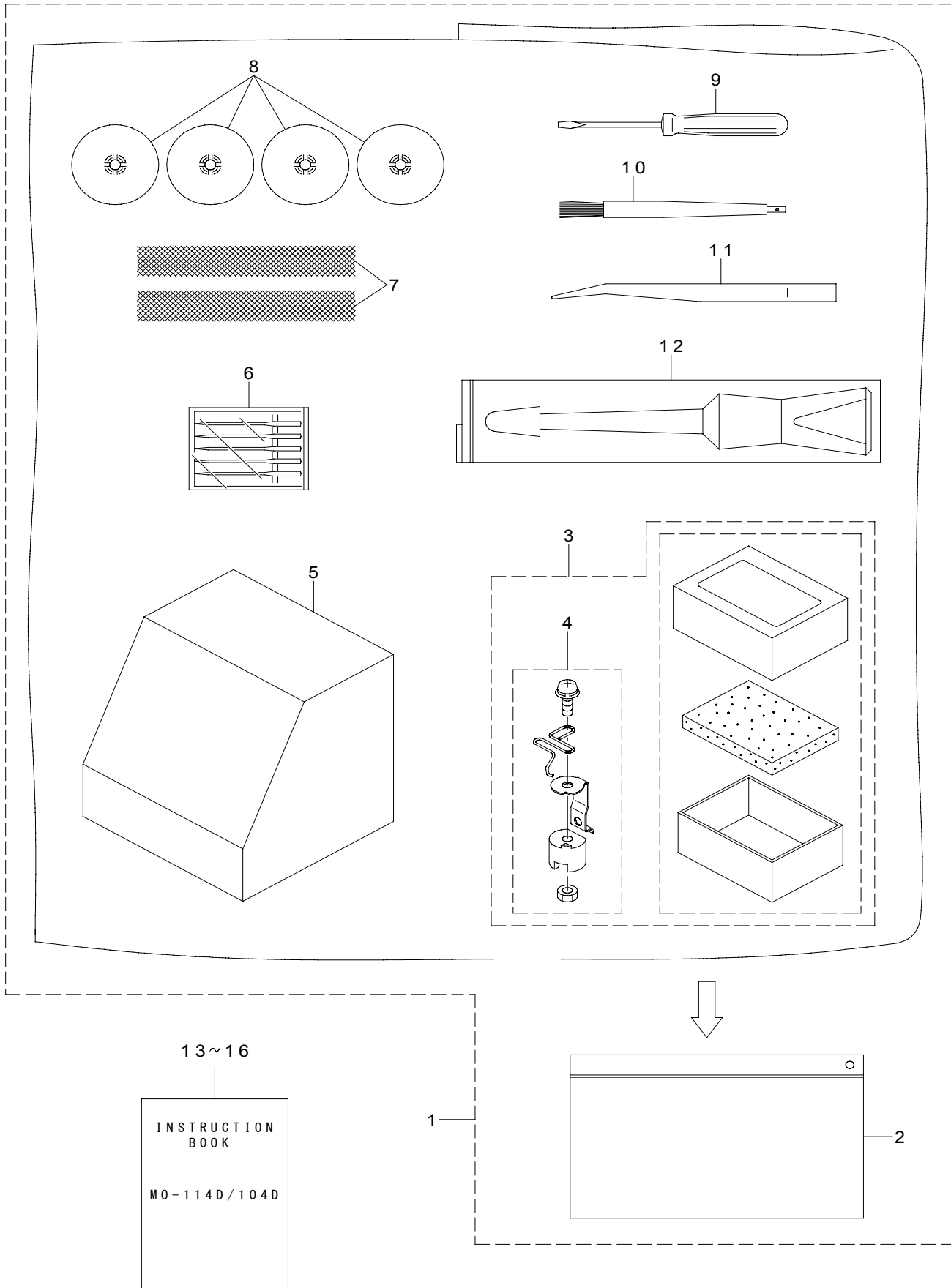
REF.NO	NOTE	PART NO	DESCRIPTION	Qty
1	#01	A6006-800-0AA-A	LAMP HOLDER ASM.	1
2	#02	A6006-800-0AB-B	LAMP HOLDER ASM.	1
3	#01	A6013-800-A00-A	LAMP	(1)
4	#02	A6013-800-B00-A	LAMP	(1)
5		A6007-634-000	LAMP INSTALLING BASE	1
6		A3811-550-000	CORD HOLDER	2
7		SM-4040655-SN	SCREW M4X0.7 L=6	2
8		SM-4040655-SN	SCREW M4X0.7 L=6	1
9		SM-5030555-SC	SCREW	2
10		EA-9500B02-00	CABLE BAND 150	1
11	#03	A6401-110-00C-B	CONTROLLER ASM.	1
12	#04	A6401-64D-0AE-A	CONTROLLER ASM.	1
13	#05	A6401-644-0AA-B	CONTROLLER ASM.	1
14	#01	A6401-634-DA0-C	CONTROLLER ASM.	1
		NOTE	#01....FOR UL	
			#02....FOR CE/BS/CH	
			#03....FOR BS	
			#04....FOR CH	
			#05....FOR CE	

12. MOTOR COMPONENTS



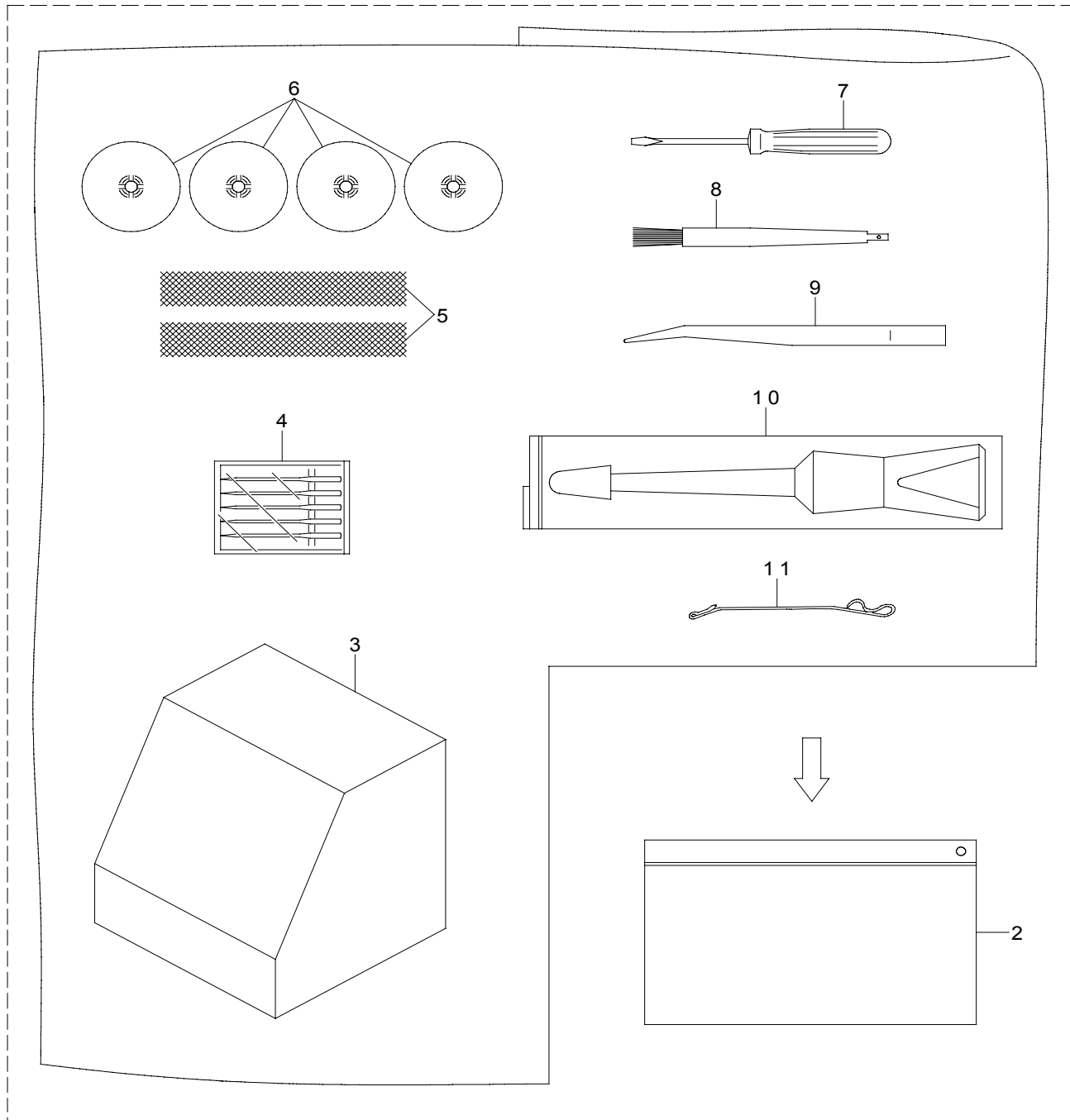
REF.NO	NOTE	PART NO	DESCRIPTION	Qty
1	#01	A6301-800-0B0	MOTOR ASM.	1
2		NM-3040550-SC	NUT	(2)
3		A6010-634-000-A	MOTOR PULLEY	(1)
4		SM-8040602-TP	SCREW M4X0.7 L=6	(1)
5		A6009-535-000	FITTING BASE	(1)
6		A6001-102-U00-A	TERMINAL NO.32-UC	(1)
7		A6016-524-000	SWITCH COVER B	(1)
8		A6003-64D-000	POWER SWITCH	(1)
9		A6015-524-000	SWITCH COVER A	(1)
10		A4078-550-00B	BAND	(3)
11		A6003-535-000-A	MOTOR PROTECTOR	1
12		SL-4040855-SN	SCREW M4 L=8	2
13	#02	A6301-800-0BB-A	MOTOR_ASM.	1
14	#03	401-66050	MOTOR_ASM._CH	1
15		A6004-110-000	SCREW	(2)
16		A6010-634-00A	MOTOR PULLEY ASM.	(1)
17		SM-8040602-TP	SCREW M4X0.7 L=6	(1)
18		A6005-110-000	CONDENSER COVER	(1)
19		A6001-102-G00	PRESSURE TERMINAL CONNECTOR	(1)
20		A6016-524-000	SWITCH COVER B	(1)
21		A6003-64D-000	POWER SWITCH	(1)
22		A6015-524-000	SWITCH COVER A	(1)
23		A4078-550-00B	BAND	(1)
		NOTE	#01....FOR UL #02....FOR CE/BS #03....FOR CH	

13. ACCESSORIES COMPONENTS (FOR MO-114D)



REF.NO	NOTE	PART NO	DESCRIPTION	Qty
1		401-66058	ACCESSORY_BAG_MO114D_ASM.	1
2		B9101-552-000	ACCESSORY BOX	(1)
3		A9133-800-0A0	2/3-THREAD CONVERTER MAS. ASM.	(1)
4		A9130-777-0A0	2/3THR.CONVERTER ASM.	(1)
5		A9102-800-000	VINYL COVER	(1)
6		401-67415	NEEDLE_ASM.	(1)
7		A9116-335-000	PLASTIC NET	(2)
8		A9106-776-000-B	THREAD SPOOL CAP	(4)
9		A9110-776-000	SMALL SCREWDRIVER(-)	(1)
10		400-65952	NEEDLE_INSERTER_TOOL/BRUSH	(1)
11		A9109-202-000	TWEEZERS	(1)
12		A9104-102-0A0	OILER WITH OIL ASM	(1)
13	#01	401-66074	IM_MO114D_104D_EG.ES.FR	1
14	#02	401-66075	IM_MO114D_104D_EG	1
15	#03	401-66076	IM_MO114D_104D_IT	1
16	#04	401-66077	IM_MO114D_104D_EG.CH	1
		NOTE	#01....FOR UL	
			#02....FOR BS/CE	
			#03....CE	
			#04....CH	

14. ACCESSORIES COMPONENTS (FOR MO-104D)



12~15
INSTRUCTION
BOOK
MO-114D/104D

REF.NO	NOTE	PART NO	DESCRIPTION	Qty
1		401-66103	ACCESSORY_BAG_MO104D_ASM.	1
2		B9101-552-000	ACCESSORY BOX	(1)
3		A9102-800-000	VINYL COVER	(1)
4		401-67415	NEEDLE_ASM	(1)
5		A9116-335-000	PLASTIC NET	(2)
6		A9106-776-000-B	THREAD SPOOL CAP	(4)
7		A9110-776-000	SMALL SCREWDRIVER(-)	(1)
8		400-65952	NEEDLE_INSERTER_TOOL/BRUSH	(1)
9		A9109-202-000	TWEEZERS	(1)
10		A9104-102-0A0	OILER WITH OIL ASM	(1)
11		A9110-335-000	LOOPER THREADER	(1)
12	#01	401-66074	IM_MO114D_104D_EG.ES.FR	1
13	#02	401-66075	IM_MO114D_104D_EG	1
14	#03	401-66076	IM_MO114D_104D_IT	1
15	#04	401-66077	IM_MO114D_104D_EG.CH	1
		NOTE	#01....FOR UL #02....FOR BS/CE #03....CE #04....CH	

NUMERICAL INDEX OF PARTS

PART NO	PAGE	REF NO	PART NO	PAGE	REF NO	PART NO	PAGE	REF NO	PART NO	PAGE	REF NO
A1102-113-0A0	2	24	A1610-655-000	12	5	A2514-534-00C	16	7	A4124-335-000	20	40
A1104-64D-000-B	4	27	A1611-655-000	12	3	A2517-80L-0A0	16	34	A4125-502-000	20	25
A1104-644-A00-A	4	33	A1612-535-000	12	76	A2517-800-0A0	16	25	A4128-535-000	20	30
A1104-644-000-B	4	26	A1613-535-000	12	78	A2519-534-0A0	16	23	A4130-654-000-A	20	35
A1106-14D-0A0	4	10	A1613-655-000	12	9	A2519-634-0A0	16	51	A4132-535-000	20	34
A1106-14D-000	4	12	A1614-534-D00	12	27	A2520-534-0A0	16	32	A4136-335-000	20	28
A1115-110-0A0	2	2	A1616-030-Z00	12	34	A2520-654-0A0	16	43	A4139-655-000	20	23
A1115-110-0B0-A	2	1	A1616-534-D00	12	64	A2521-534-000	16	9	A4140-535-000	20	32
A1118-776-000-B	4	8	A1616-535-000	14	38	A2522-776-0A0	16	12	A4142-335-000	20	10
A1120-202-000	4	7	A1616-880-0A0	14	2	A2526-335-00A	16	38	A4145-335-000	20	20
A1120-776-0A0-B	4	1	A1616-880-0A0	14	46	A2526-335-00S	16	29	A4147-324-000	20	38
A1121-110-0A0	4	5	A1616-880-000	14	3	A2529-335-000	12	84	A6001-102-G00	24	19
A1121-776-000	4	6	A1617-534-D00-A	12	72	A2529-335-000	16	19	A6001-102-U00-A	24	6
A1129-776-000-B	4	3	A1617-534-000-A	14	40	A2530-800-0A0	16	16	A6003-535-000-A	24	11
A1131-203-000	2	4	A1618-534-D0A	12	75	A2531-335-00S	16	49	A6003-64D-000	24	8
A1132-334-000	2	5	A1618-534-D00	12	74	A2531-534-000-A	16	21	A6003-64D-000	24	21
A1135-535-000	2	12	A1619-655-0A0	12	11	A2532-335-00S	16	48	A6004-110-000	24	15
A1136-314-DA0-A	2	3	A1620-335-000	14	31	A2533-335-00S	16	42	A6005-110-000	24	18
A1138-335-000	2	7	A1620-534-DA0	12	26	A2534-654-0B0-A	16	47	A6006-800-OAA-A	22	1
A1140-800-0A0	2	10	A1622-535-000	14	26	A2536-800-000-A	16	27	A6006-800-OAB-B	22	2
A1140-800-0A0	10	1	A1623-535-0A0	14	29	A2536-800-000-A	16	36	A6007-634-000	22	5
A1145-800-000	2	8	A1625-800-000	12	50	A2537-335-00S-A	16	40	A6009-535-000	24	5
A1151-14D-0A0	2	19	A1626-535-000-A	14	25	A2539-335-00S	16	45	A6010-634-00A	24	16
A1153-800-0A0	2	20	A1627-634-D00	12	52	A2561-777-000	16	20	A6010-634-000-A	24	3
A1156-644-000	2	27	A1628-535-000-A	14	33	A2561-777-000	16	22	A6013-800-A00-A	22	3
A1156-654-000-A	2	17	A1630-534-D00	12	13	A2561-777-000	20	18	A6013-800-B00-A	22	4
A1160-634-000	4	31	A1630-535-000	12	71	A3101-70D-000-A	18	4	A6015-524-000	24	9
A1161-535-0A0	4	28	A1631-535-000	14	22	A3101-800-000-A	18	3	A6015-524-000	24	22
A1164-535-000	2	15	A1633-534-D00	12	19	A3105-800-000	18	9	A6016-524-000	24	7
A1190-80L-000	18	49	A1634-535-000	14	18	A3106-800-000	18	7	A6016-524-000	24	20
A1190-800-000	18	50	A1634-655-000-A	12	16	A3107-776-000-A	4	18	A6018-800-000	4	21
A1202-113-000	6	6	A1635-534-D00	12	20	A3107-800-000	18	8	A6301-800-0BB-A	24	13
A1205-634-000	6	9	A1635-535-000	14	43	A3115-800-0A0	18	14	A6301-800-0B0	24	1
A1206-102-000	6	5	A1636-535-000-A	14	17	A3119-110-000	18	10	A6401-110-00C-B	22	11
A1206-202-000	6	4	A1637-52D-000	14	20	A3121-800-A00	4	25	A6401-634-DA0-C	22	14
A1206-335-000	6	1	A1637-534-DA0	12	24	A3121-800-000	4	24	A6401-64D-OAE-A	22	12
A1206-535-000	6	7	A1637-534-DA0	12	61	A3122-776-000	18	35	A6401-644-OAA-B	22	13
A1208-700-000	10	10	A1637-535-000	14	42	A3122-800-000	18	34	A9102-800-000	26	5
A1230-500-000-A	6	8	A1638-776-000	12	63	A3126-800-000	18	20	A9102-800-000	28	3
A1401-535-000-A	8	7	A1638-776-000	14	7	A3134-800-000	18	25	A9104-102-0A0	26	12
A1402-535-000	8	5	A1639-534-D00	12	67	A3148-800-0A0	18	17	A9104-102-0A0	28	10
A1403-102-000	8	9	A1639-800-000	12	55	A3148-800-0B0	18	16	A9106-776-000-B	26	8
A1403-102-000	8	17	A1640-534-D00	12	65	A3150-335-000	18	13	A9106-776-000-B	28	6
A1403-335-000-A	8	6	A1641-534-D00	12	92	A3158-634-000	18	5	A9109-202-000	26	11
A1404-535-000	8	1	A1645-534-D00	12	86	A3171-800-000	4	15	A9109-202-000	28	9
A1406-534-0A0	8	21	A1646-534-D00	12	87	A3176-776-000	4	16	A9110-335-000	28	11
A1407-102-000	8	15	A1647-534-D00	12	89	A3176-776-000	18	37	A9110-776-000	26	9
A1407-102-000	8	20	A1648-535-000	12	57	A3181-324-000	18	12	A9110-776-000	28	7
A1409-534-000	8	22	A1648-800-000	12	59	A3185-113-000	4	20	A9116-335-000	26	7
A1411-335-000	8	14	A1650-534-D00	12	85	A3201-800-0A0	18	28	A9116-335-000	28	5
A1412-534-000	8	18	A1650-534-000	14	37	A3206-800-000	18	31	A9130-777-0A0	26	4
A1412-535-000	8	13	A1651-52D-000	14	5	A3208-800-000	18	30	A9133-800-0A0	26	3
A1414-502-0A0	8	3	A1651-534-DA0	12	80	A3210-800-000	18	32	A9196-524-000	2	14
A1416-777-000	8	24	A1651-535-000	14	39	A3211-800-000	18	40	A9196-524-000	2	23
A1501-535-000	8	26	A1652-535-000	14	35	A3211-800-000	18	44			
A1501-800-0A0	8	40	A1653-776-000	12	42	A3215-800-0A0	18	42	B9101-552-000	26	2
A1501-800-0C0-A	8	39	A1654-776-000-A	12	47	A3220-800-000	18	26	B9101-552-000	28	2
A1502-535-000	8	27	A1655-534-D00	12	28	A3303-800-000	4	14			
A1503-634-000	8	25	A1657-534-DA0	12	43	A3811-550-000	22	6	EA-9500B02-00	22	10
A1504-9DC-0A0-A	8	31	A1660-534-D00-A	12	33	A3900-634-000	18	21			
A1506-9DC-000-A	8	37	A1660-800-000	12	41	A3902-634-000	18	23	NM-3040550-SC	24	2
A1507-535-000	8	29	A1661-800-0A0	12	38	A3903-634-000	18	22			
A1514-800-0B0-A	8	41	A1662-655-000-A	12	31	A3906-634-000	18	24	PS-0200122-KP	18	18
A1569-9DC-000	8	33	A1663-534-D00	12	48	A3910-634-000-B	18	19	PS-0400222-KP	6	3
A1572-9DC-000	8	34	A1664-534-D00	12	36	A4078-550-00B	24	10			
A1573-800-000	10	5	A1665-534-D00	12	82	A4078-550-00B	24	23	RE-0120000-K0	18	38
A1573-9DC-0A0	8	32	A1670-52D-000	14	23	A4101-503-000-C	20	4	RE-0200000-K0	16	46
A1573-9DC-0A0	10	7	A1673-52D-000	14	16	A4101-800-0A0	20	1	RE-0200000-K0	18	36
A1574-110-000	10	2	A1674-52D-000	14	1	A4103-535-000	20	9	RE-0300000-K0	10	9
A1574-800-000	10	6	A1675-52D-0A0	14	11	A4105-776-000-A	20	12	RE-0300000-K0	12	15
A1577-110-000	10	4	A1676-52D-000	14	12	A4106-535-000	20	8	RE-0300000-K0	12	29
A1577-110-000	10	8	A2112-204-000	20	14	A4107-502-0A0	20	6	RE-0300000-K0	12	45
A1601-800-000	12	1	A2501-534-000-A	16	3	A4108-535-000	20	16	RE-0300000-K0	12	54
A1602-64D-000-A	14	13	A2510-334-000	16	13	A4121-535-00C	20	19	RE-0300000-K0	12	83
A1602-800-000	12	2	A2512-776-000	16	18	A4123-335-000	20	21	RE-0300000-K0	14	44

NUMERICAL INDEX OF PARTS

PART NO	PAGE	REF NO	PART NO	PAGE	REF NO	PART NO	PAGE	REF NO	PART NO	PAGE	REF NO
RE-0300000-K0	18	33	SM-5041055-SN	12	23	400-65952	26	10			
RE-0400000-K0	8	35	SM-5051255-SN	2	25	400-65952	28	8			
RE-0400000-K0	12	8	SM-5051255-SN	4	4	400-67886	16	26			
RE-0400000-K0	12	25	SM-6051002-TP	20	5	400-67886	16	35			
RE-0400000-K0	12	32	SM-8030302-TP	12	56	400-71772	6	2			
RE-0400000-K0	12	68	SM-8030302-TP	14	4	400-72483	20	2			
RE-0400000-K0	18	39	SM-8030302-TP	14	6	400-79513	16	5			
RE-0400000-K0	18	46	SM-8030302-TP	14	8	400-82787	4	2			
RE-0500000-K0	8	38	SM-8030302-TP	14	45	401-43792	4	17			
RE-0500000-K0	10	3	SM-8030402-TP	12	62	401-66046	18	1			
RE-0500000-K0	12	4	SM-8030402-TP	12	66	401-66050	24	14			
RE-0500000-K0	12	21	SM-8030402-TP	12	81	401-66058	26	1			
RE-0500000-K0	12	40	SM-8030402-TP	20	13	401-66074	26	13			
RE-0500000-K0	12	46	SM-8040302-TP	14	30	401-66074	28	12			
RE-0500000-K0	12	51	SM-8040402-TP	8	2	401-66075	26	14			
RE-0500000-K0	12	91	SM-8040402-TP	8	4	401-66075	28	13			
RE-0500000-K0	14	19	SM-8040402-TP	8	10	401-66076	26	15			
RE-0500000-K0	14	24	SM-8040402-TP	12	49	401-66076	28	14			
RE-0500000-K0	14	28	SM-8040402-TP	12	77	401-66077	26	16			
RE-0500000-K0	20	29	SM-8040402-TP	12	88	401-66077	28	15			
RE-0600000-K0	8	12	SM-8040402-TP	12	90	401-66097	2	26			
RE-0600000-K0	16	11	SM-8040402-TP	14	21	401-66100	18	2			
RE-0600000-K0	20	17	SM-8040402-TP	14	27	401-66103	28	1			
RE-0900000-K0	12	69	SM-8040402-TP	14	32	401-67415	26	6			
RE-0900000-K0	14	47	SM-8040402-TP	16	2	401-67415	28	4			
			SM-8040402-TP	16	4	401-67418	4	13			
SL-4040855-SN	4	30	SM-8040402-TP	16	6	401-67421	4	11			
SL-4040855-SN	24	12	SM-8040402-TP	16	15						
SL-5030631-SF	4	23	SM-8040402-TP	16	17						
SL-5030831-SF	4	22	SM-8040402-TP	20	3						
SL-5030831-SF	18	48	SM-8040402-TP	20	26						
SL-5031031-SN	18	15	SM-8040602-TP	12	73						
SL-5040835-SN	18	47	SM-8040602-TP	14	41						
SM-1030601-SP	20	7	SM-8040602-TP	16	31						
SM-4020351-SC	2	6	SM-8040602-TP	16	41						
SM-4030455-SN	8	23	SM-8040602-TP	24	4						
SM-4030455-SP	20	33	SM-8040602-TP	24	17						
SM-4030601-SN	20	27	SM-8050402-TP	8	28						
SM-4030601-SN	20	39	SM-8050602-TP	2	11						
SM-4030655-SP	12	37	SM-8050602-TP	16	8						
SM-4030655-SP	12	53	SM-8050612-TP	8	8						
SM-4030655-SP	12	60	SM-8060602-TP	8	16						
SM-4030655-SP	20	41	SM-9040700-SP	12	58						
SM-4040655-SN	8	19	SM-9040803-SD	20	11						
SM-4040655-SN	8	36	SM-9050850-SP	16	14						
SM-4040655-SN	12	7	ST-4861051-SN	14	34						
SM-4040655-SN	12	79	ST-5030651-SN	4	19						
SM-4040655-SN	16	24	ST-5030851-SN	18	6						
SM-4040655-SN	16	33	ST-5030851-SN	18	11						
SM-4040655-SN	20	37	ST-5030851-SN	18	29						
SM-4040655-SN	22	7	ST-5030851-SN	18	43						
SM-4040655-SN	22	8	ST-5030851-SN	20	36						
SM-4040655-SP	20	22	ST-5041051-SN	2	21						
SM-4040655-SP	20	24	ST-5041051-SN	4	9						
SM-4040855-SN	2	18	ST-5041051-SN	4	29						
SM-5030555-SC	22	9	ST-5041051-SN	4	32						
SM-5030655-SN	12	14									
SM-5030655-SN	12	30	WP-0320501-SC	16	50						
SM-5030655-SN	12	44	WP-0410516-RZ	12	6						
SM-5030655-SN	16	28	WP-0410516-RZ	12	12						
SM-5030655-SN	16	30	WP-0430801-SC	12	17						
SM-5030655-SN	16	37	WP-0430801-SC	12	70						
SM-5030655-SN	16	39	WP-0450816-SC	12	22						
SM-5030655-SN	16	44	WP-0531001-SC	14	9						
SM-5030655-SN	18	27	WP-0531001-SC	14	14						
SM-5030855-SN	12	10	WP-0531001-SC	18	41						
SM-5030855-SN	12	39	WP-0531001-SC	18	45						
SM-5031001-SE	12	35	WP-0820516-SP	8	11						
SM-5040655-SN	14	10	WP-0820516-SP	16	10						
SM-5040855-SN	2	9	WP-0820516-SP	20	15						
SM-5040855-SN	2	13	WZ-0430200-KP	14	36						
SM-5040855-SN	2	16	WZ-0540200-KH	14	15						
SM-5040855-SN	2	22									
SM-5040855-SN	8	30	400-61961	16	1						
SM-5041055-SN	12	18	400-61998	20	31						

JUKI CORPORATION

HOUSEHOLD SEWING MACHINERY BUSINESS UNIT
2-11-1, TSURUMAKI, TAMA-SHI,
TOKYO, 206-8551, JAPAN

PHONE:(81)42-357-2341
FAX:(81)42-357-2380

Copyright© 2015 JUKI CORP.
All rights reserved throughout the world.

2015/11