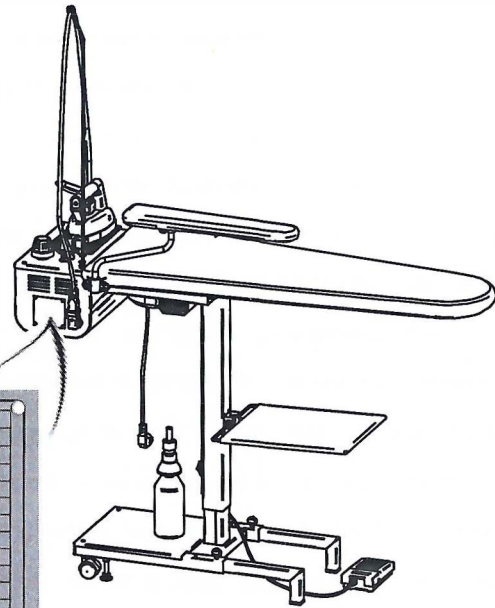




HOW TO IDENTIFY THE UNIT



Model:	JEUX SAKURA IRON-T
Serial nr.:	
Year of manufacture:	
Technical data:	
Voltage:	220-240 V - 50 Hz - 31 A
Boiler heating element:	850W
Iron heating element:	350W
Board heating element:	600W
Vacuum motor:	70W
Boiler capacity:	2,2 LT.
Working pressure:	2,5 bar
Net weight:	37,5 Kg
Packaging dimensions:	45 cm x 145 mm x 49 cm
  registered brand owned and distributed by: JUKI CENTRAL EUROPE SP. Z.O.O. Ul. Poleczki 21 - Platan Park C, 02-822 Warsaw - Poland	
Made in Italy	

IN0446

Data, descriptions and drawings in this manual are not binding.
The company reserves the right to make any change if necessary.

REGISTERED BRAND

OWNED AND DISTRIBUTED BY:

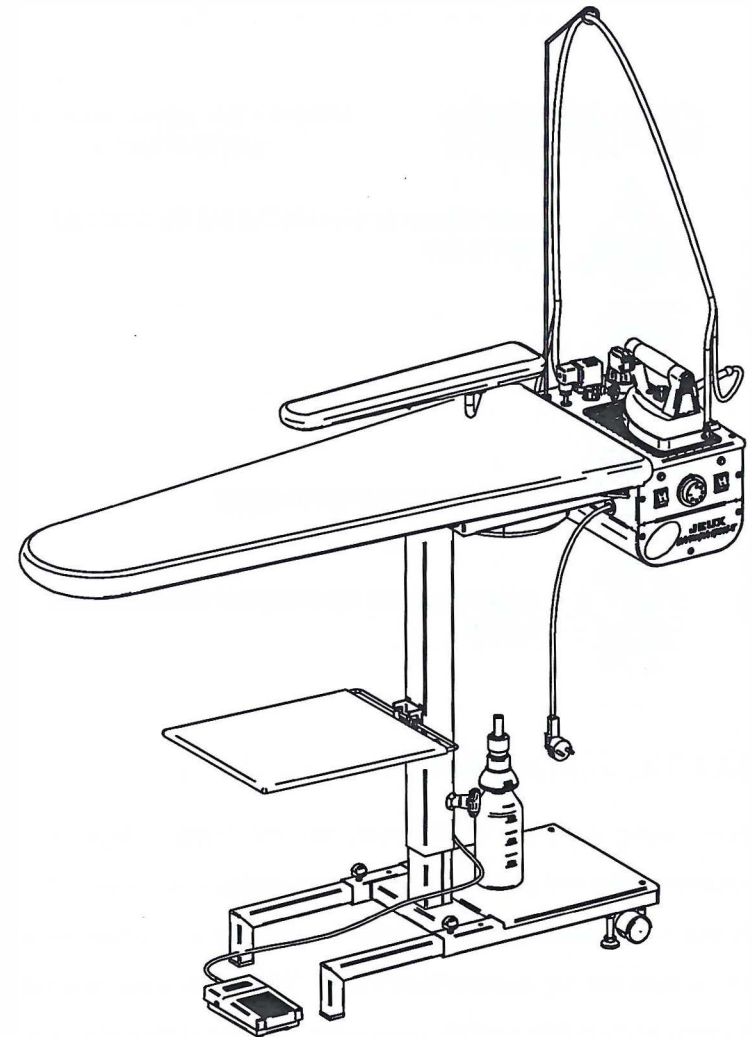
JUKI CENTRAL EUROPE SP. Z.O.O
Ul. Poleczki 21 - Platan Park C
02-822 Warsaw (Poland)

TEL.: +48225450400
FAX.: +48225450411
TAX ID.: PL9512147076

PLEASE READ CAREFULLY

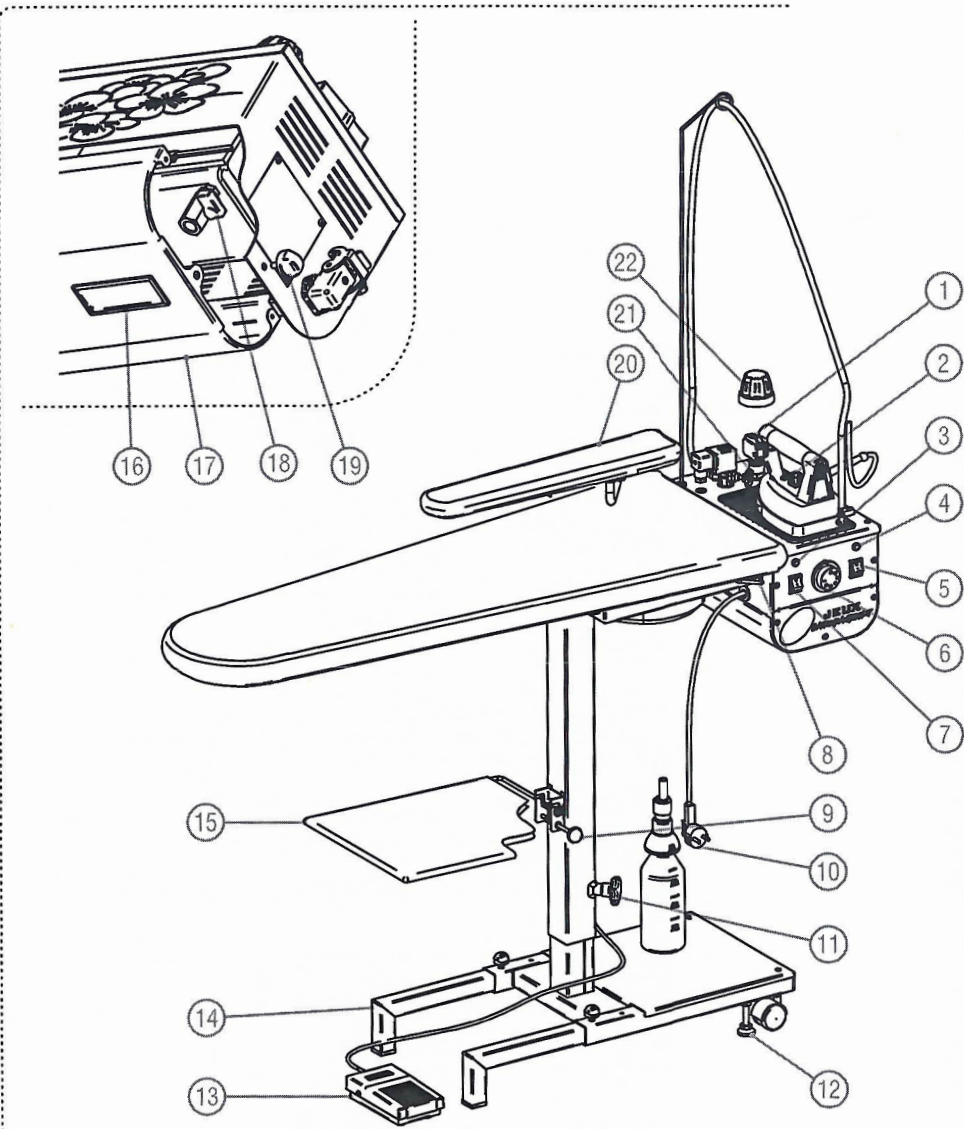
JEUX SAKURA IRON-T

SERVICE AND USE INSTRUCTION MANUAL



cod. - A00848

MADE IN ITALY



REFERENCES

- | | | |
|-------------------------|------------------------------------------|-------------------------|
| 1_ IRON MICROSWITCH | 8_ HOOK TO BLOCK THE BOARD HORIZONTALLY | 15_ UNDER COVER TRAY |
| 2_ IRON THERMOSTAT | 9_ HOOK TO BLOCK THE BOARD UPRIGHT | 16_ HANDLE |
| 3_ WATER WARNING LIGHT | 10_ PLUG | 17_ PROTECTION CASE |
| 4_ STEAM WARNING LIGHT | 11_ DEVICE TO ADJUST THE TABLE IN HEIGHT | 18_ BOILER DRAINING TAP |
| 5_ BOILER ON/OFF SWITCH | 12_ ADJUSTABLE FOOT | 19_ KNOB |
| 6_ BOARD THERMOSTAT | 13_ VACUUM PEDAL | 20_ SLEEVE ARM |
| 7_ IRON ON/OFF SWITCH | 14_ SLIDING FOOT | 21_ STEAM FLOW KNOB |
| | | 22_ FILLING TOP |

HOW TO OPERATE THE UNIT :

"This ironing board has been designed to iron any kind of fabric in a professional way by means of a steady steam system"

INSTRUCTIONS

- a) Screw off the filling top (22) and fill the boiler with standard water. Screw the top on again mildly.
- b) Connect the plug (10) to a 220V, earthed power point.
- c) Press the boiler on/off switch (5) to start the boiler, press the iron on/off switch (7) to start the iron.
- d) Adjust the iron thermostat (2) between linen and cotton position (linen position is recommended when dry steam is needed, whereas cotton position is when damp steam is needed).
- e) Before any ironing, please wait for the steam warning light (4) to be lit. Should this warning light go off while you are ironing, please go on with your work. The warning light will come on automatically as soon as the steam has been available again.
- f) Use the board thermostat (6) to adjust the board temperature according to the fabric type pressed. Recommended temperature: 90°C.
- g) Press the iron micro switch (blue push-button)(1) to have the steam coming out from the iron. When you have finished to iron, please shortly operate the vacuum pedal (13)
- h) Use the knob (21) to adjust the steam flow from the iron.
- i) If needed, adjust the 2 feet (12) to balance the full unit and anchor it to the floor.
- j) To close up and fold the ironing table: please put the undercover tray (15) upright; catch the table by the handle (16) below the boiler case and unblock the hook (8); let the table fold and stay upright; block the table in the this position by means of the hook (9); let the feet (14) slide back to save space.
- k) This unit is fitted with a device to adjust the height of the table. This operation can be executed only if the unit is completely off (the board has to be completely cold) and before starting any ironing.
If you want to increase the table height, mildly unscrew the knob (9); the board will automatically keep on rising. When the height needed is reached, block the table there by screwing the knob (9).
If you want to reduce the table height, mildly unscrew the knob (9) and keep pressing the board downwards in its central part (in line with the upright framework, never press the board in its right or left edge) as long as the height needed is reached. Then screw the knob (9) to block the board there.
- l) Install the arm (20) in the bracket already assembled on the backside of the board.
- m) You are kindly recommended to drain regularly the boiler, more often if the water you use is reach in scales. To do so, unlock the knob (19) and pull the drawer (17) by its handle (16): the draining tap (18) will now appear to blow down the boiler. Open the draining tap (18) and blow down the boiler. When the boiler is drained, close the draining tap (18), push the drawer (17) back by its handle (16) and lock the drawer (17) by the knob (19).

!!! WARNINGS AND SUGGESTIONS: !!!

- Never fill up the boiler.
- Never screw off the filling top (22) when the boiler is under pressure.
- Before screwing off the filling top (22) or draining the boiler by means of the tap (18), please be sure that no steam is still inside the boiler.
- Never let the unit unattended for long, when it is on.
- Once the steam is over, pull out the plug, let the unit rest for 20 minutes, then screw off the top (22) very slowly and refill the water inside the boiler. Now repeat the steps described above.
- Never adjust the table height if the unit is on and as long as you are ironing. Adjust the table height only before ironing, when the unit is completely off the board is completely cold.