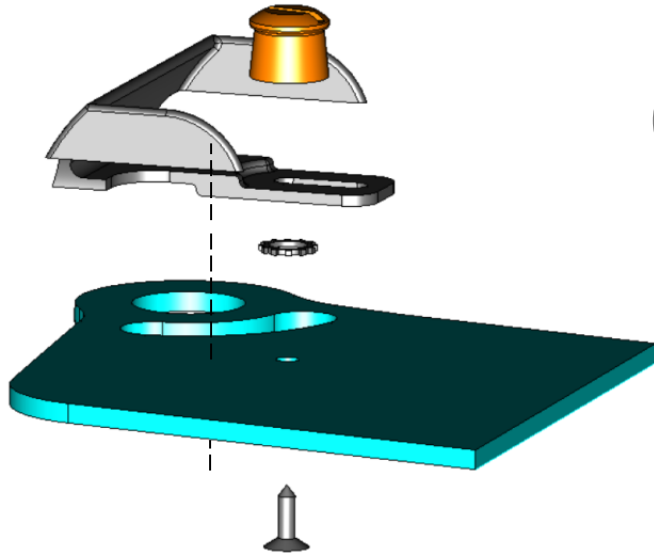


EZ Tear Installation Tips

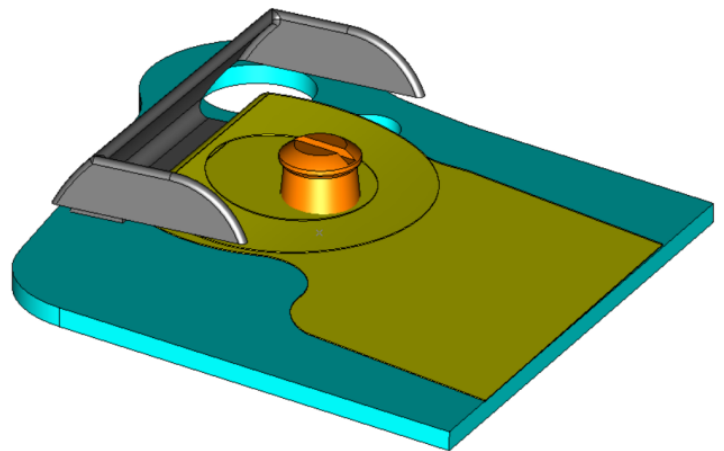


1

Remove face shield. Install EZ Tear beneath the tearoff post. Place the serrated lock washer between the EZ Tear and face shield.

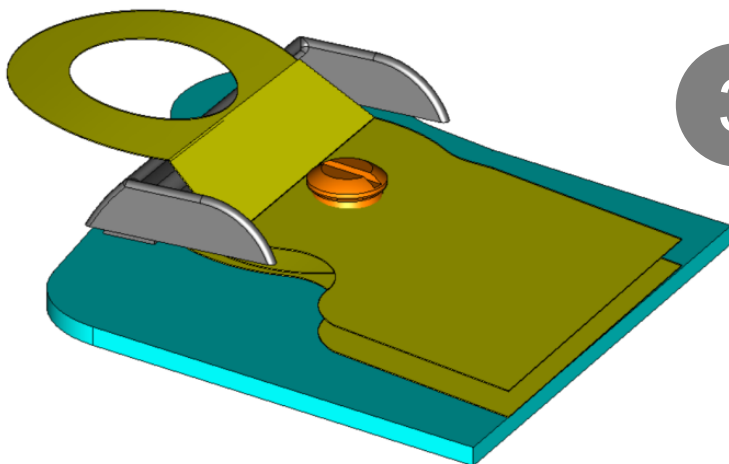
2

Install tearoffs. Align the top edge of the EZ Tear with the folded tearoff tabs. **Tighten securely to prevent rotation of the EZ Tear.** Reinstall face shield.



3

Allow the top tearoff tab to extend over the top of the EZ Tear.



Additional Installation Tips

For proper mounting, the EZ Tear needs a relatively flat surface to rest on and posts that can be tightened to firmly secure the EZ Tear to prevent rotation.

FOR BEST RESULTS: Use aluminum tearoff posts so you can tighten the EZ Tear securely.

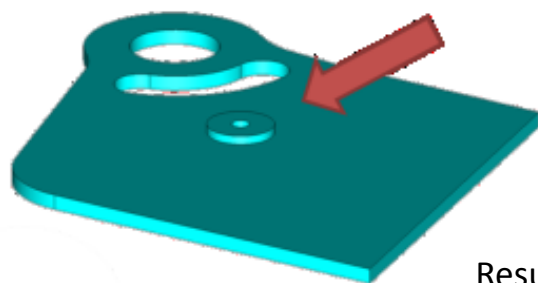


If you are using plastic posts, be sure to use the screw provided, or a larger one, so you can tighten securely without stripping.

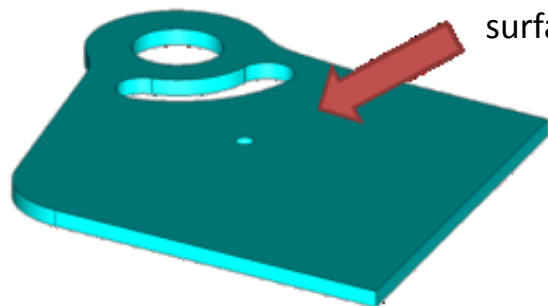
Some helmets, such as Racequip and Pyroprotect, use a ratcheting tear off post as pictured here.



Carefully remove this feature.



Resulting smooth surface.



The shield has a small, raised area with bumps or teeth that engage the ratchet feature of the post.

For these shields you will need to replace the spring loaded ratcheting posts with aluminum posts, and use a Dremel tool or file to remove the raised area to provide a flat mounting surface as shown here.