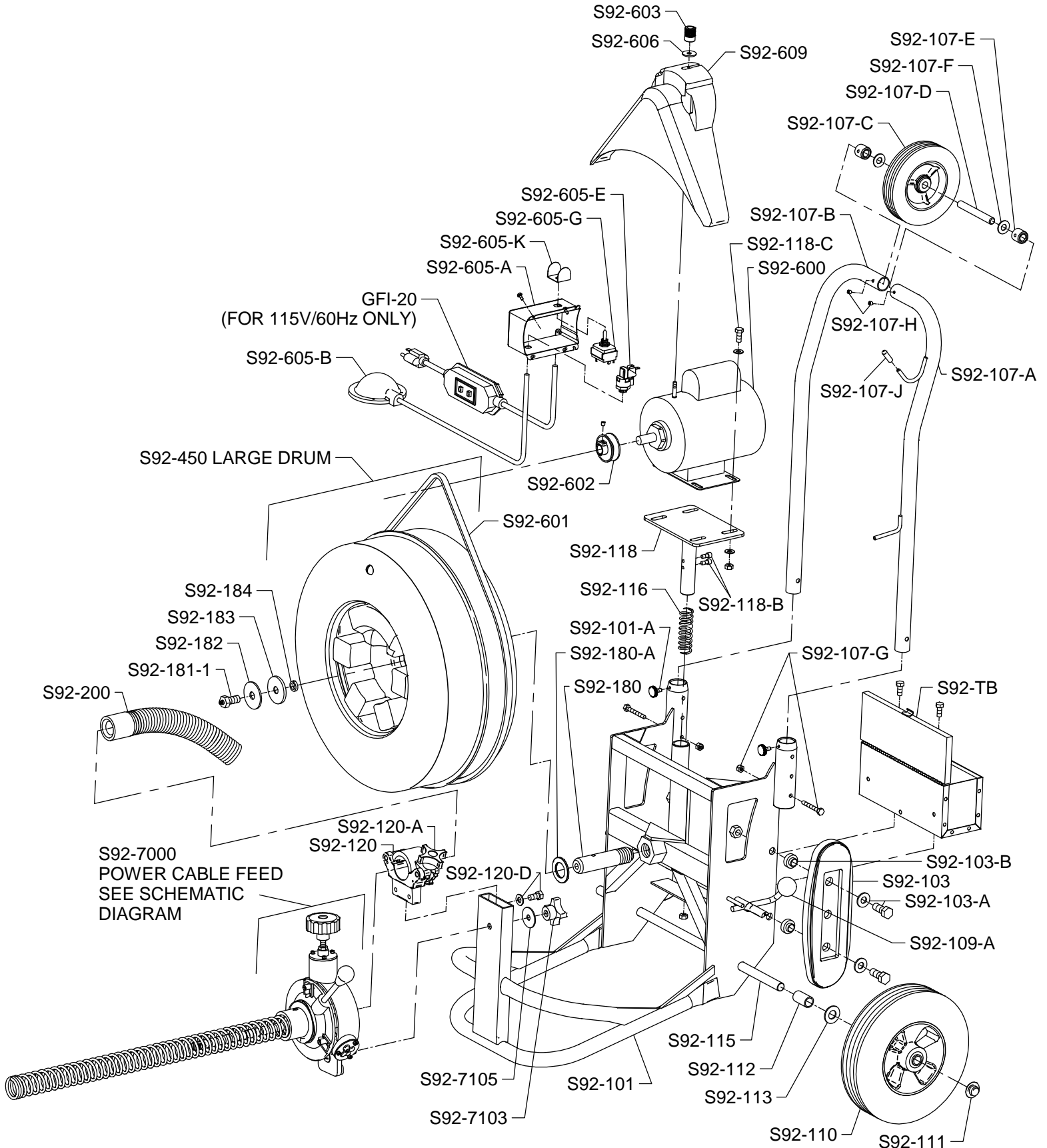


SPEEDROTER 92 PARTS LIST

| ITEM NO. | CATALOG NO. | DESCRIPTION |
|----------|-------------|--|
| 170645 | S92-100 | Frame Complete w/Axle |
| 170655 | S92-101 | Frame Only w/Axle |
| 156036 | S92-101-A | Handle Support Knob (2) |
| 156045 | S92-103 | Stair Climber w/Belt (1) |
| 156050 | S92-103-A | Nuts, Bolt, & Washers (2) |
| 156055 | S92-103-B | Spacers (2) |
| 156061 | S92-107 | Handle Assembly |
| 156066 | S92-107-A | Handle - Left |
| 156067 | S92-107-B | Handle - Right |
| 156075 | S92-107-C | 6" Handle Wheel |
| 156080 | S92-107-D | Axle for Handle Wheel |
| 156085 | S92-107-E | Bushings (2) |
| 156090 | S92-107-F | Felt Washers (2) |
| 156100 | S92-107-G | Bolts & Nuts (2) |
| 156105 | S92-107-H | Set Screws (2) |
| 170730 | S92-107-J | Rubber Cord Wrap Tip |
| 156125 | S92-109-A | Knob for Brake Rod |
| 156130 | S92-109-C | Brake Rod Latch w/Screws |
| 156135 | S92-110 | 10" Wheel w/Retaining Cap (1) |
| 156140 | S92-111 | Wheel Retaining Cap (2) |
| 156145 | S92-112 | Axle Spacer (2) |
| 170740 | S92-113 | Wheel Spacer Washers |
| 156150 | S92-115 | Axle |
| 170750 | S92-116 | Motor Support Spring |
| 170760 | S92-118 | Motor Support Platform |
| 170770 | S92-118-B | Guide Screws (2) |
| 156168 | S92-118-C | Nuts, Bolt, & Washers (4) |
| 156170 | S92-120 | Front Bearing Assembly |
| 156174 | S92-120-A | Front Bearing Knob |
| 156183 | S92-120-D | Bolts, Nuts, & Washers (2) |
| 170780 | S92-180 | Drum Shaft |
| 170790 | S92-180-A | Wear Washer |
| 170800 | S92-181-1 | Drum Shaft Retaining Bolt w/Grease Fitting |
| 170810 | S92-182 | Retaining Washer |
| 170820 | S92-183 | Felt Washer |
| 170823 | S92-184 | High Collar Lock Washer |
| 170630 | S92-200 | Spring Distributor Tube |
| 170600 | S92-400-1 | Small Drum Complete (16") |
| 170960 | S92-402-1 | Drum Shell (16") |
| 156219 | S92-410 | Drum Connecting Cable (for 1/2" Cables) w/ Nut, Screws, & Lock Washer |
| 156222 | S92-410-A | Connecting Cable Nut, Screws, & Lock Washer |
| 170970 | S92-440 | Inner Drum Cage for 15" Small Drum |
| 166600 | S92-440-1 | Inner Drum Cage for 16" Small Drum |
| 154390 | S92-614 | Small Drum (15") V-Belt (57") |
| 154395 | S92-614-1 | Small Drum (16") V-Belt (59") |
| 170610 | S92-450 | Large Drum Complete |
| 170980 | S92-452 | Drum Shell |
| 170840 | S92-454 | Drum Hub Bearings (2) |
| 170880 | S92-456 | Bushing |
| 170850 | S92-460 | Drum Connecting Cable (for 5/8" & 3/4" Cables) w/ Nut, Screws, & Lock Washer |
| 156264 | S92-460-A | Connecting Cable Nut, Screws, & Lock Washer |
| 170870 | S92-490 | Inner Drum Cage for Large Drum |
| 170873 | S92-490-B | Inner Drum Cage Bushing |
| 170874 | S92-490-C | Screws & Washers (6) |
| 154248 | S92-600 | 1/2 hp Motor Complete w/Air Foot Switch, Reverse Switch, & GFCI |
| 154257 | S92-600-3/4 | 3/4 hp Motor Complete w/Air Foot Switch, Reverse Switch, & GFCI |

| ITEM NO. | CATALOG NO. | DESCRIPTION |
|----------|-------------|--|
| 156312 | S92-602 | V-Belt Pulley |
| 156315 | S92-602-2 | Slip Clutch (Optional) |
| 156320 | S92-603 | Knob for Belt Guard |
| 136000 | GFI-20 | 20 ft. Power Cord w/GFCI |
| 156330 | S92-605 | Air Foot Switch & Reverse Switch Assembly |
| 154326 | S92-605-A | Box Only w/Cover & Screws |
| 136170 | S92-605-B | Foot Pedal & Hose |
| 154328 | S92-605-C | Hose Clamp |
| 136080 | S92-605-E | Power Switch Diaphragm |
| 136130 | S92-605-G | Reverse Switch - 3-Way |
| 170920 | S92-605-K | Switch Guard |
| 156395 | S92-605-N | Strain Relief Nut |
| 156335 | S92-606 | Belt Guard Washer |
| 156344 | S92-609-1/2 | Belt Guard (1/2 hp) w/Slot |
| 170935 | S92-605-3/4 | Belt Guard (3/4 hp) w/Slot |
| 156309 | S92-601 | V-Belt (64") |
| 170940 | S92-7000 | Power Cable Feed Assembly |
| 156350 | S92-7101 | Feed Body |
| 156355 | S92-7101-1 | Feed Body for One Piece Feed Control Disk |
| 156360 | S92-7101-A | Lifting Spring |
| 156363 | S92-7101-B | Guide Pins (2) |
| 155012 | S92-7102 | Mounting Stud |
| 156370 | S92-7103 | Mounting Knob |
| 155020 | S92-7104 | Spout & Retaining Cover |
| 155021 | S92-7104-1 | Spout for One Piece Feed Control Disk |
| 156380 | S92-7105 | Steel Washer |
| 155026 | S92-7200 | Top Roller Assembly |
| 155031 | S92-7210 | Top Carrier Only |
| 155036 | S92-7220 | Swing Pin |
| 155041 | S92-7225 | Feed Roller Shaft |
| 136120 | S92-7250 | Feed Roller w/Bearing |
| 155060 | S92-7301 | Feed Pressure Knob |
| 155062 | S92-7301-A | Limiting Nut |
| 155066 | S92-7315 | Pressure Spring |
| 155070 | S92-7330 | Ball Bearing |
| 155076 | S92-7331 | Ball Bearing Holder |
| 155080 | S92-7340 | Top Cover |
| 155085 | S92-7341 | Cover Screws (3) |
| 155091 | S92-7400 | Bottom Roller Assembly |
| 155096 | S92-7410 | Bottom Carrier Only |
| 155100 | S92-7420 | Swing Pin |
| 155106 | S92-7425 | Bottom Roller Shaft |
| 136120 | S92-7450 | Bottom Roller w/Bearing |
| 155130 | S92-7530 | Thrust Bearing |
| 155135 | S92-7540 | Cable Adjustment Plate |
| 155140 | S92-7541 | Plate Screws (3) |
| 155145 | S92-7601 | Feed Control Disc w/Lever & Knob |
| 155182 | S92-7601-A | Lever & Knob |
| 155150 | S92-7601-1 | Feed Control Disk (One Piece) |
| 155190 | S92-7635 | Wave Washer |
| 155195 | S92-7635-1 | Wave Washer for One Piece Feed Control Disk |
| 136110 | PO-703 | Set of Feed Rollers (3) |
| 156008 | S92-TB | Tool Box w/Bolts & Nuts |
| 156006 | S92-GT | Guide Tube |
| 146160 | GTE | Guide Tube Extension |
| 132210 | S92-DECAL | Set of Safety Decals |
| 132375 | S92-DVD | Instructional DVD |
| 130040 | SRCS | Senior Cutter Set |
| 122080 | 100EM5 | Flexicore Cable, 3/4" x 100 ft. w/ Male & Female Conn. |
| 122040 | 100EM4 | Flexicore Cable, 5/8" x 100 ft. w/ Male & Female Conn. |

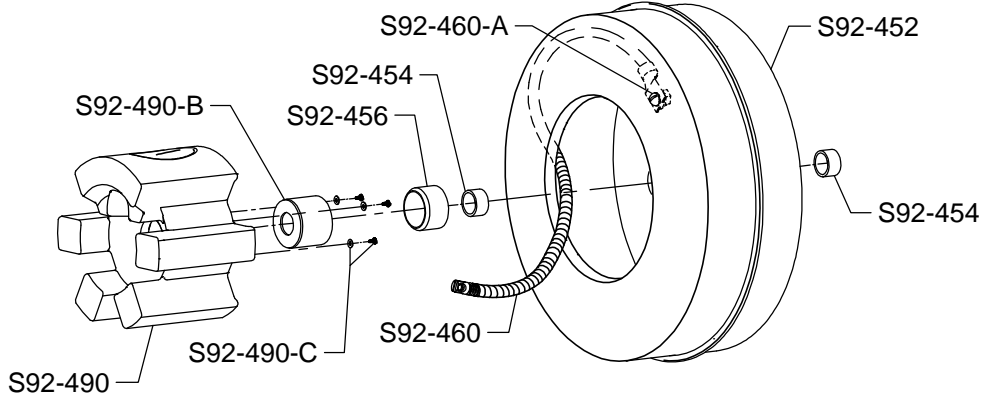
SPEEDROOTER 92 SCHEMATIC DIAGRAM



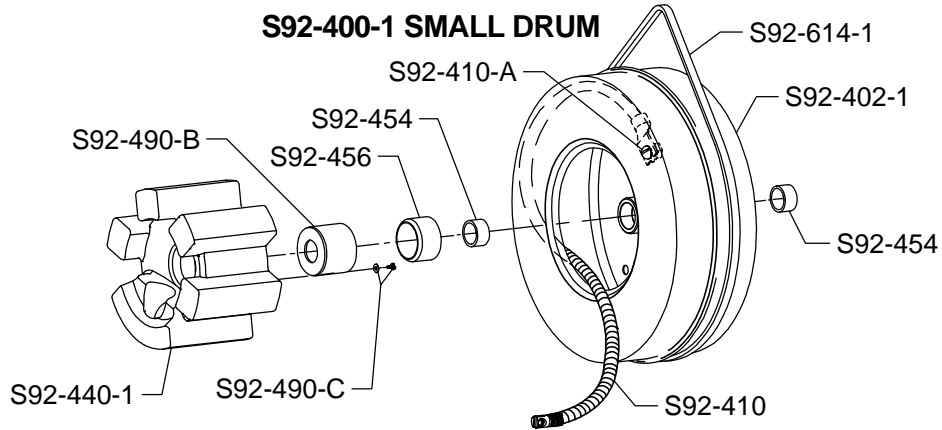
IMPORTANT: When ordering, give Serial Number of Machine.

SPEEDROOTER 92 SCHEMATIC DIAGRAM

S92-450 LARGE DRUM

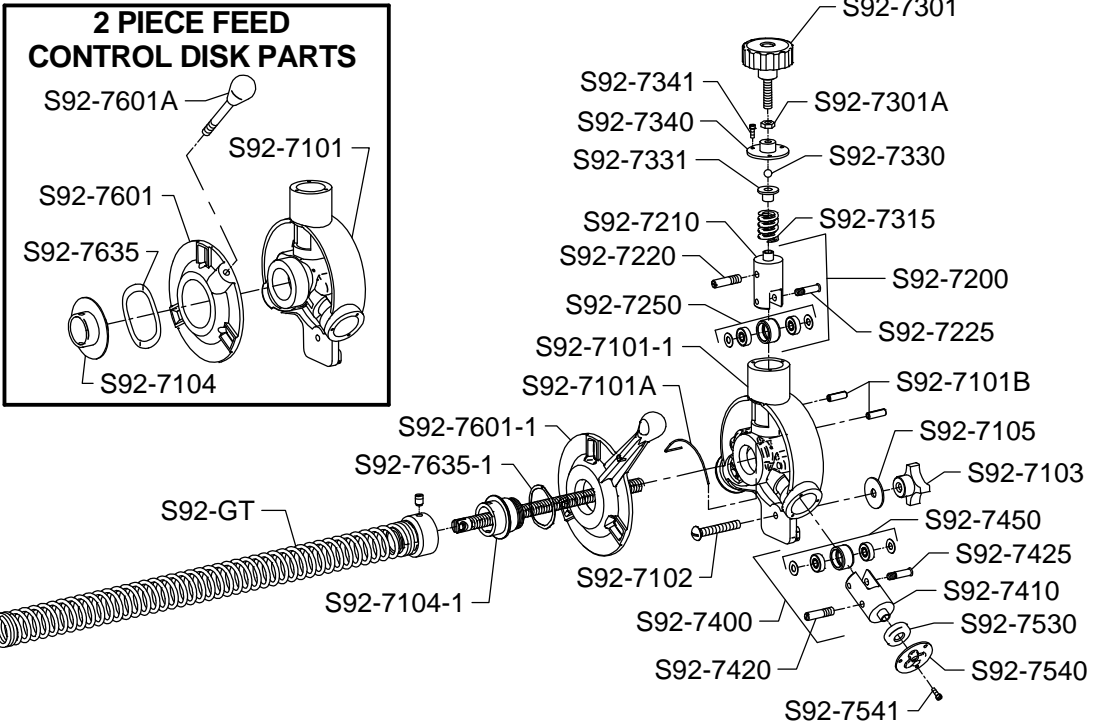


S92-400-1 SMALL DRUM



S92-7000

POWER CABLE FEED



IMPORTANT: When ordering, give Serial Number of Machine.