

VersAlarm™ I/O

Indoor/Outdoor Alarm Panel | Model: VLIO-0004



QUICK START GUIDE

QSG00004_Rev04_VLIO-0004_VersAlarm I/O | September 19, 2022 11:21 AM

Safety Guidelines

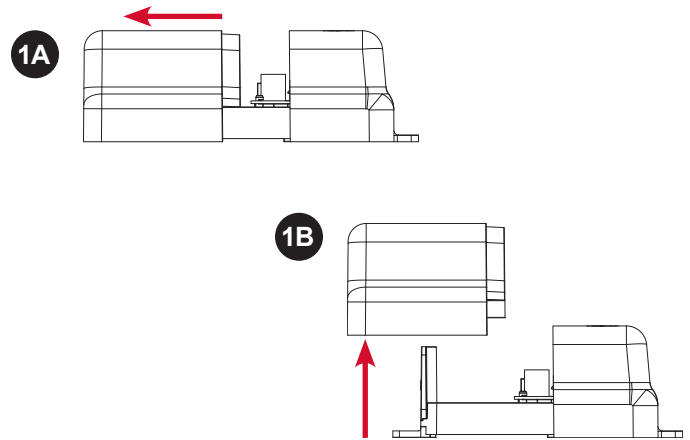


WARNING

Before proceeding with the installation or operation of this product, read all instructions thoroughly, as well as complying with all federal, state and local codes, regulations, and practices. This product must be installed by qualified personnel familiar with all applicable local electrical and mechanical codes. Refer to the National Electrical Code (NFPA 70). Failure to properly install and test this product can result in personal injury or equipment malfunction.

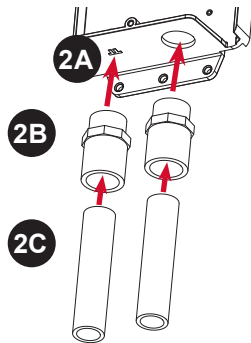
Step 1: Remove Bottom Cover

Remove the bottom enclosure cover screw, slide directly downward (1A) and then pull directly away (1B).



Step 2: Installing Conduit / Fittings

Using the pre-marked center hole locations (2A), mark and drill out on the bottom of the enclosure. The size(s) will depend on desired conduit fitting (maximum 0.75"). Place the conduit fitting (2B) in the drilled out hole and make sure it's secured. Then, install conduit (2C) into the fitting.

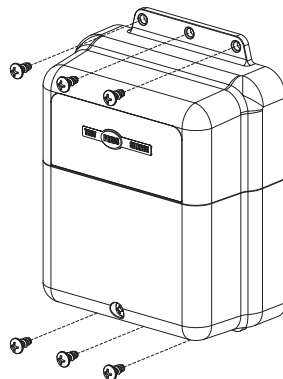


Note: Seal all conduits to prevent moisture and gases from entering the enclosure per local codes.

CAUTION: Nonmetallic enclosure does not provide proper grounding between conduit connections. Use grounding bushings and jumper wires.

Step 3: Mount Enclosure

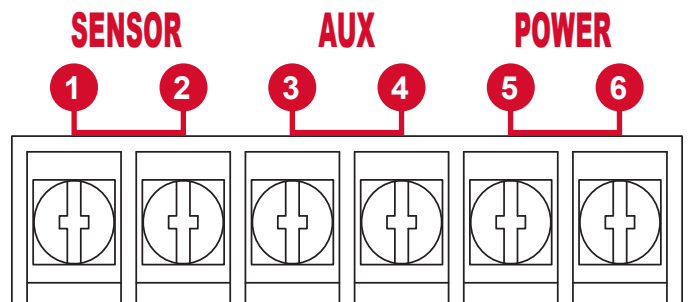
Determine the mounting location for the VersAlarm™ I/O. Hold the alarm up to the desired mounting location, mark the drill hole locations. Once marked, drill pilot holes for screws (not included) and use wall mount anchors (not included) if necessary. Place enclosure in mounting location, adjust until the pilot holes are lined up with the enclosure and fasten screws to secure the alarm panel in place.



Step 4: Wiring

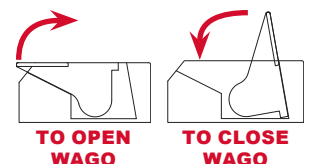
The diagram below shows the six terminals on the terminal block that consists of three pairs of connections.

- 1) Install the sensor to terminals 1 and 2.
- 2) Installing an auxiliary device to terminals 3 and 4 is optional.
- 3) Install incoming power to terminals 5 and 6, first line (L1) in terminal 5 and second line (L2) in terminal 6.
- 4) NEVER leave ground wire exposed inside the panel, use provided Wago connector for wire termination.



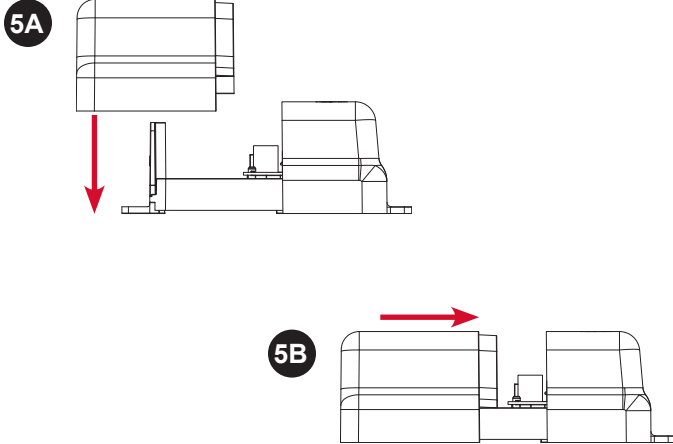
Installing Wire into Wago Connector:

- 1) Lift tab(s) upward.
- 2) Insert wire(s) into slot.
- 3) Press tab(s) downward.
- 4) Make sure wire(s) are secured.



Step 5: Install Bottom Cover

Line up the bottom enclosure cover with the grooves (5A), then slide directly upward (5B) until it meets the top of the enclosure so the screw hole is lined up and replace the screw at the bottom of enclosure.



Step 6: Power Alarm and Quick Test

After all wiring and installation steps have been completed, power the alarm with incoming voltage, 230VAC. Use the features list and diagram below to perform a quick test of the alarm to make sure it is working properly.

Note: For complete wiring, installation instructions, or troubleshooting, refer to the user guide for this model by scanning QR code.

Included with Product

- (1) VersAlarm™ I/O alarm panel
- (1) Wago connector

Customer Support

Online
alderonind.com

Email
info@alderonind.com

QR Code
Scan code for full product details

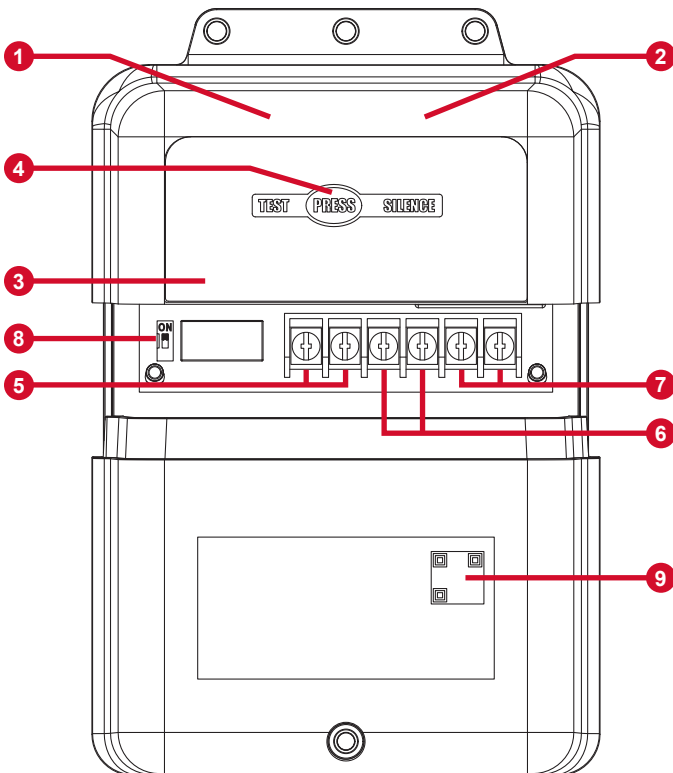


Specifications

Primary Power: 230VAC, 50/60Hz
Power: 2.64 Watts maximum (alarm condition)
Certifications: FCC Part 15 (US/Canada), CSA (US/Canada)
Auxiliary Contacts: 24VDC @ 0.5 Amps maximum
Enclosure: Outdoor, rated Type 3R

FCC Part 15: NOTE: This equipment has been tested and found to comply with the limits for a Class B digital device, pursuant to part 15 of the FCC Rules. These limits are designed to provide reasonable protection against harmful interference in a residential installation. This equipment generates, uses and can radiate radio frequency energy and, if not installed and used in accordance with the instructions, may cause harmful interference to radio communications. However, there is no guarantee that interference will not occur in a particular installation. If this equipment does cause harmful interference to radio or television reception, which can be determined by turning the equipment off and on, the user is encouraged to try to correct the interference by one or more of the following measures: increase the separation between the equipment and receiver, connect the equipment into an outlet on a circuit different from that to which the receiver is connected, consult the dealer or an experienced radio/TV technician for help. Caution: changes / modifications not approved by Alderon Industries could void the user's authority to operate the equipment.

VersAlarm™ I/O - Features



- 1 **Power On Indicator** - Green LED illuminates enclosure cover
- 2 **Alarm Beacon** - Red LEDs illuminate enclosure cover
- 3 **Alarm Buzzer** - Annunciates to indicate an alarm condition
- 4 **Test/Silence Pushbutton** - Activates alarm, silences alarm buzzer
- 5 **Sensor Input** - Terminals for sensor connection
- 6 **Auxiliary Contacts** - Interface with external device, 24VDC @ 0.5A maximum
- 7 **Power Mains Input** - Terminals for line connections (L1/L2), 230VAC
- 8 **Power Indicator Turn Off** - Flip switch down to turn off green power LED
- 9 **QR Code** - Scan code for additional product information (alderonind.com)