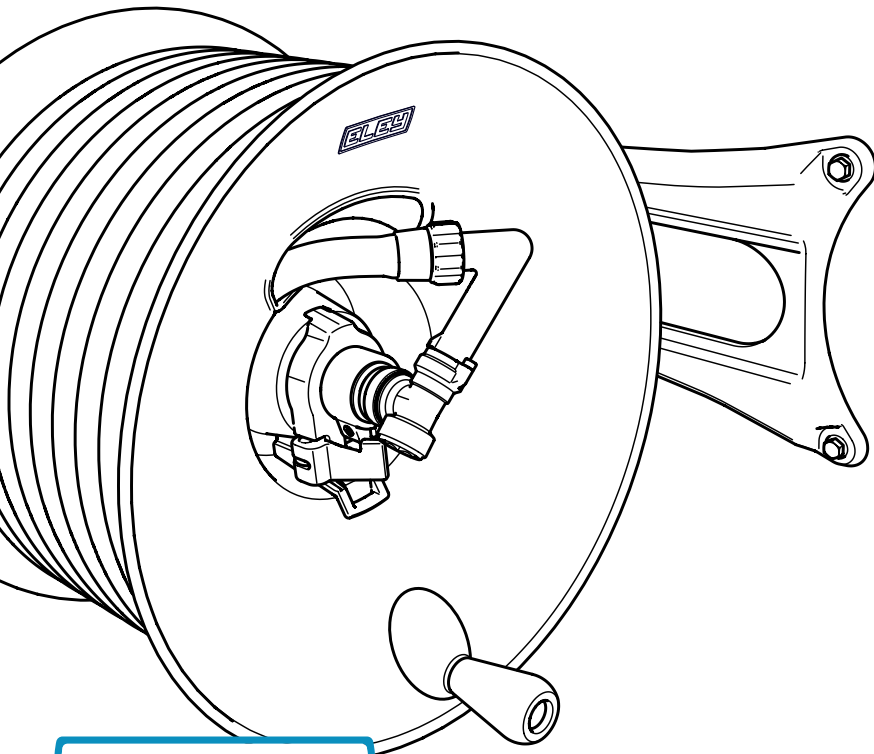


WALL MOUNTED GARDEN HOSE REEL



Watering Done Right

ITEM1041

WE'RE METICULOUS ABOUT QUALITY...



As a family-owned business with deep roots in Nebraska's farm and ranch country, we understand the value of high-quality tools, equipment, and service.

That's why—for over 30 years—our mission has been to design, produce, and deliver the finest, most dependable reels.

We take a great deal of pride in what we do—we wouldn't put our name on it if we didn't.

Founding brothers: Mark, Warren, and Craig Eley

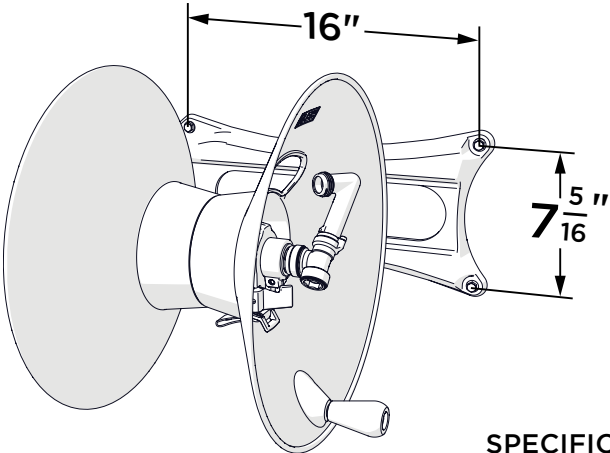
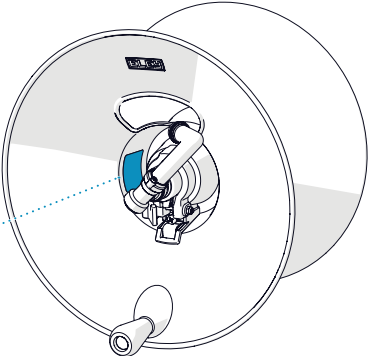
**...AND WE HAVE A FEELING
THAT YOU ARE TOO.**

WALL MOUNTED GARDEN HOSE REEL

ITEM 1041

Purchase date _____

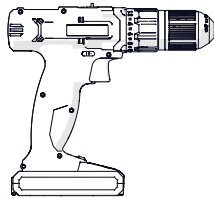
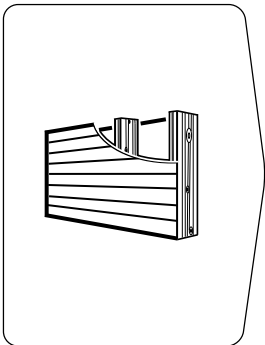
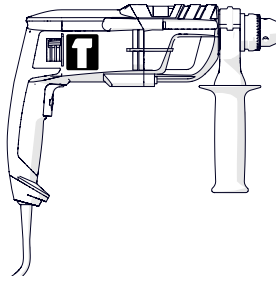
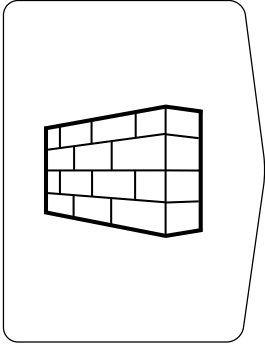
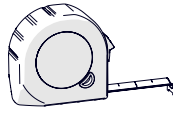
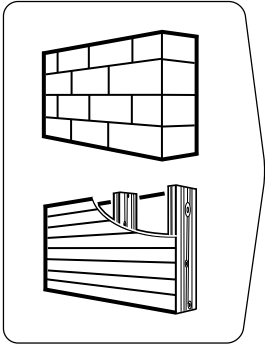
Serial number _____



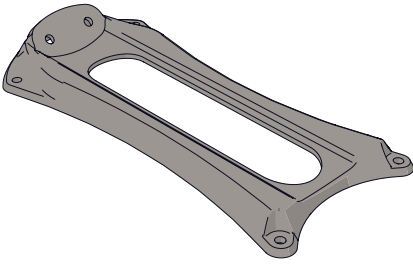
SPECIFICATIONS

5/8 in. hose capacity	125 ft.
3/4 in. hose capacity	100 ft.
Max. working pressure	150 PSI
Drinking water safe	Yes

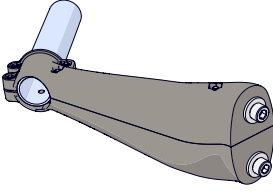
Capacities may vary depending on hose brand and style.



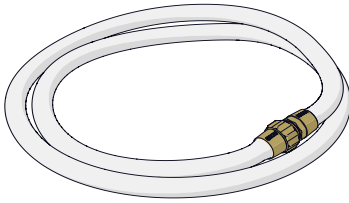
BASE
2558



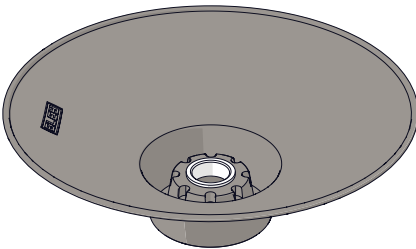
AXLE ARM
3071



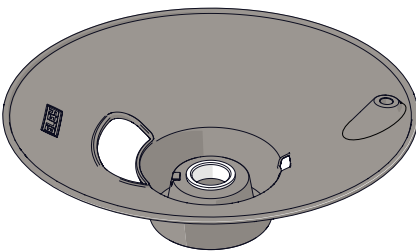
INLET HOSE 6.5'
1160



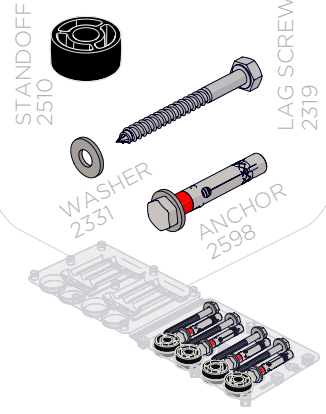
REAR FLANGE
4148



FRONT FLANGE
4149



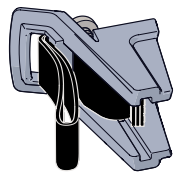
4x



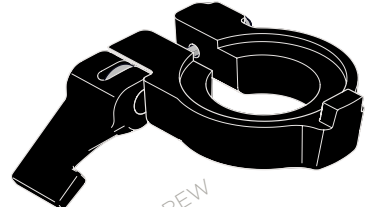
CRANK HANDLE
2654



HOSE STRAP
4114

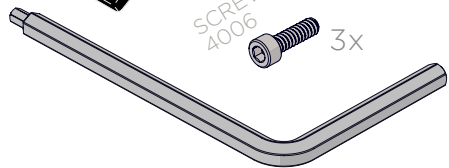


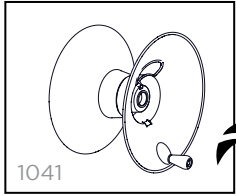
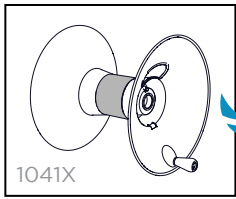
BRAKE
2587



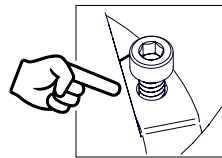
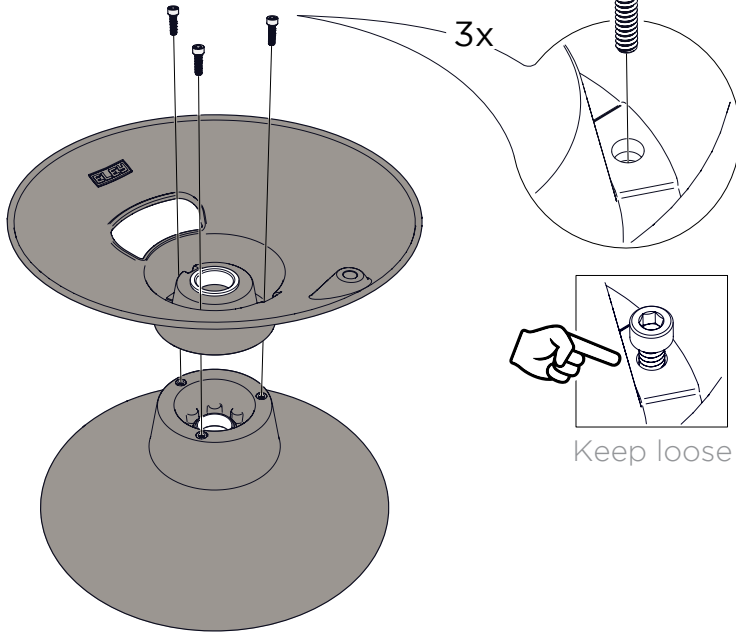
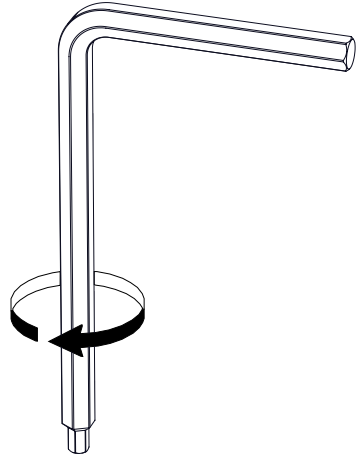
HEX KEY
4003

SCREW
4006 3x





1



Keep loose



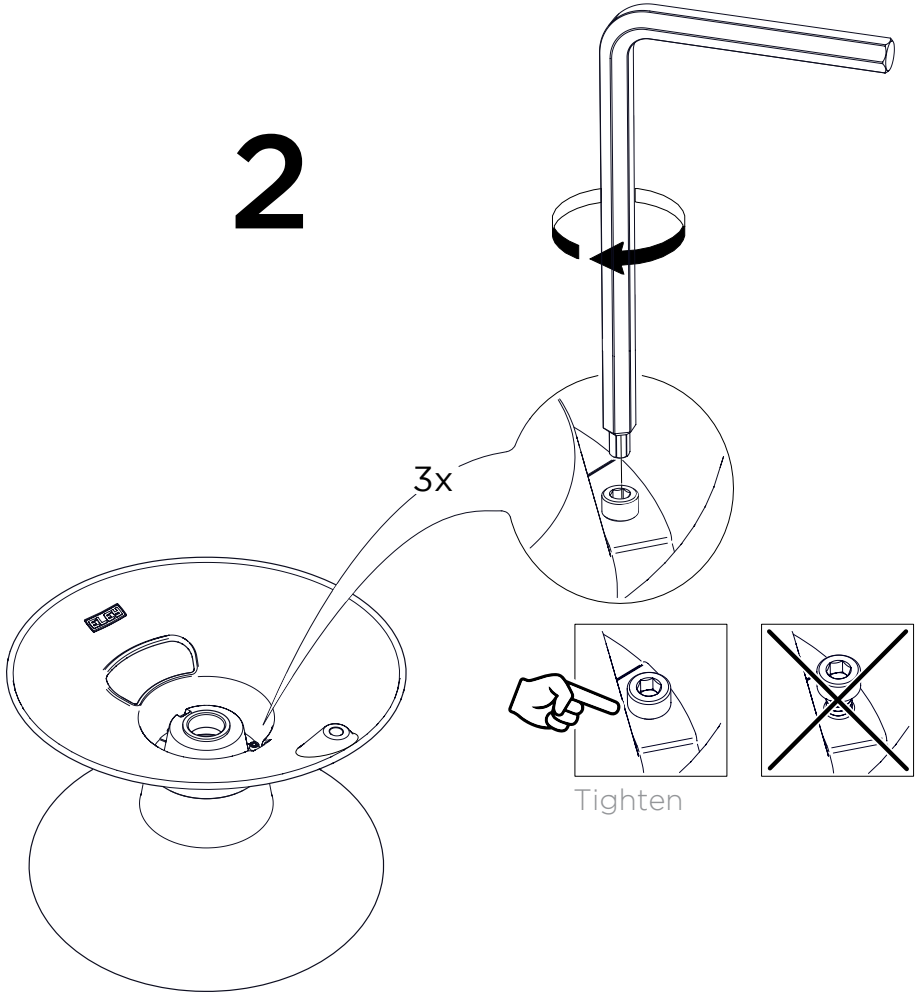
If you have an Extra-Capacity Kit, refer to that manual before this step.

Connect flanges by inserting the three screws through the holes in the front flange and into the nuts in the rear flange—do not tighten screws.



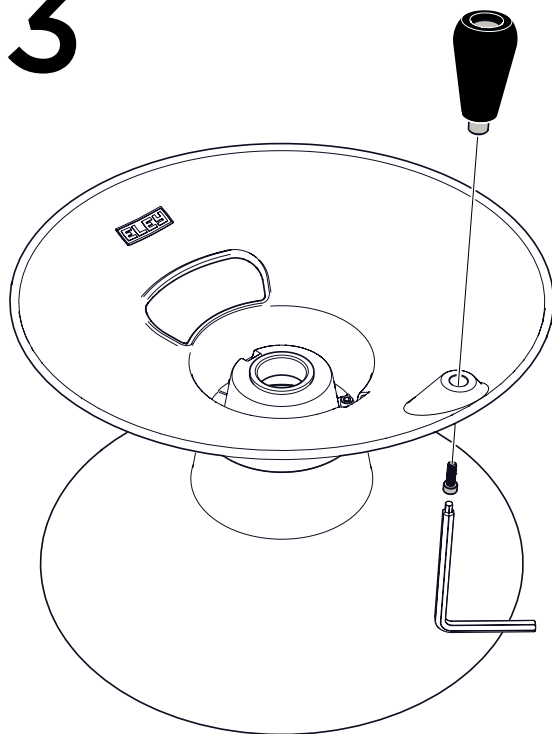
Assembly Videos & Support

Scan with your camera for access to helpful videos, tips, and FAQs.
eleyhosereels.com/assembly

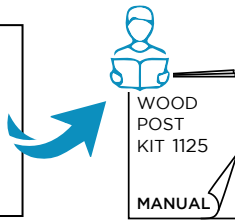
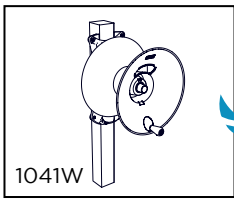


With all three screws inserted, tighten. Avoid using power tools here—high speed can damage the threads.

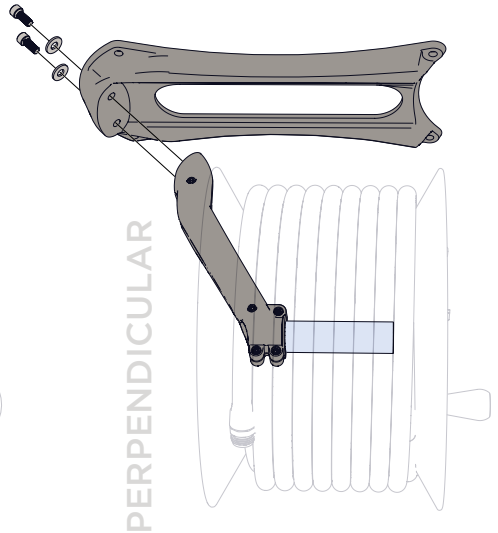
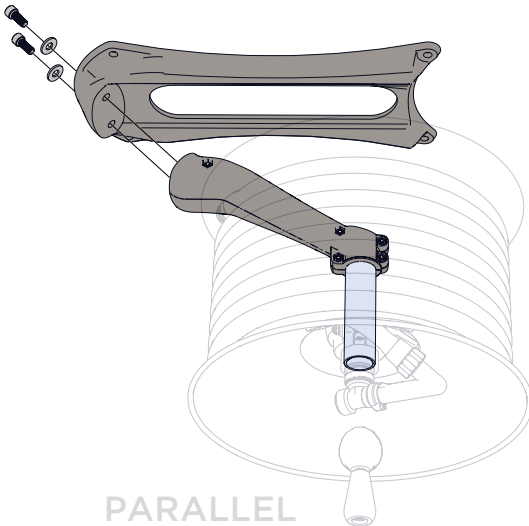
3



Remove screw from the handle post and insert post into the raised hole at the outer edge of flange. Insert screw from other side—tighten.



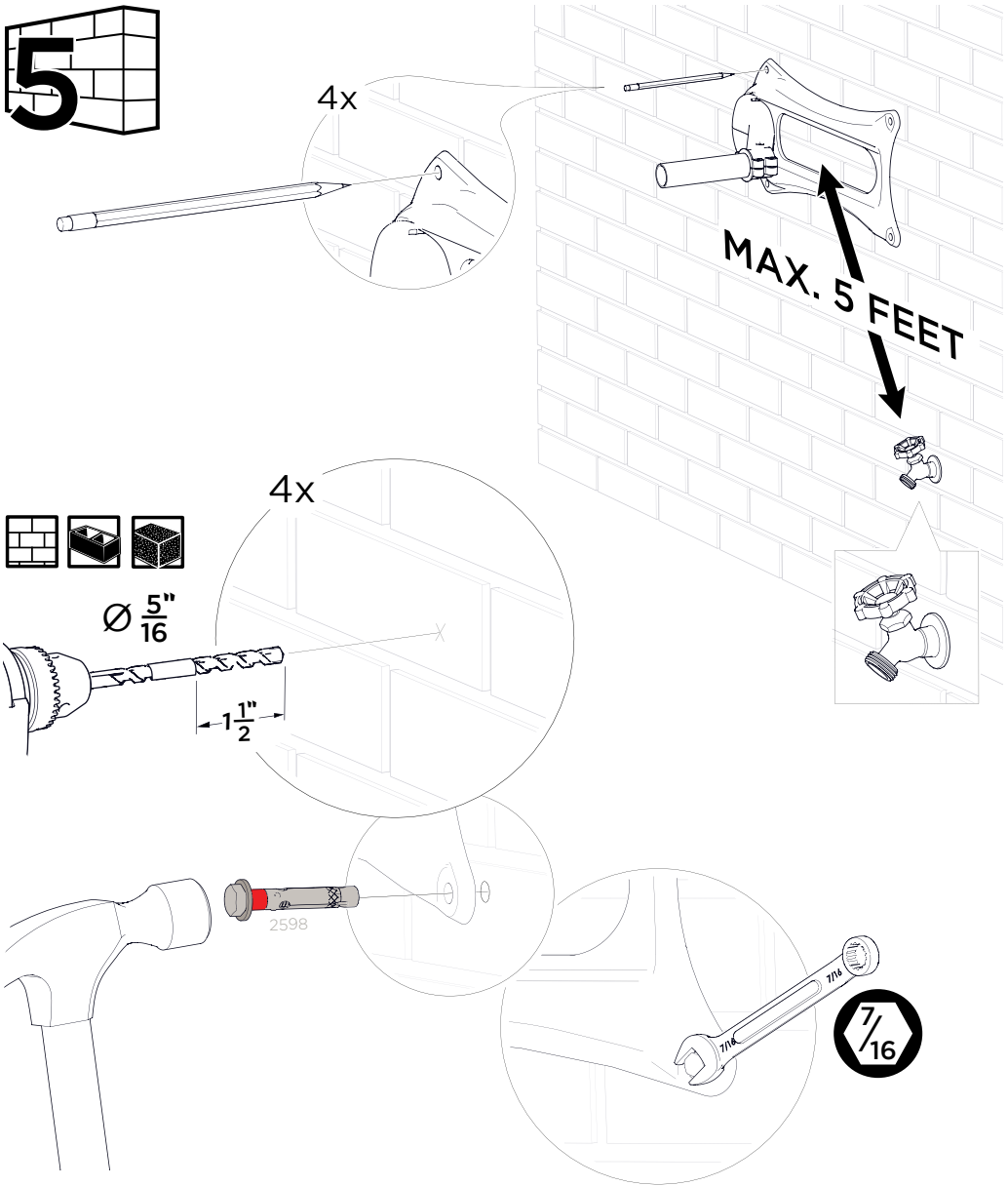
4



If you have a Wood Post Kit, refer to that manual before this step.

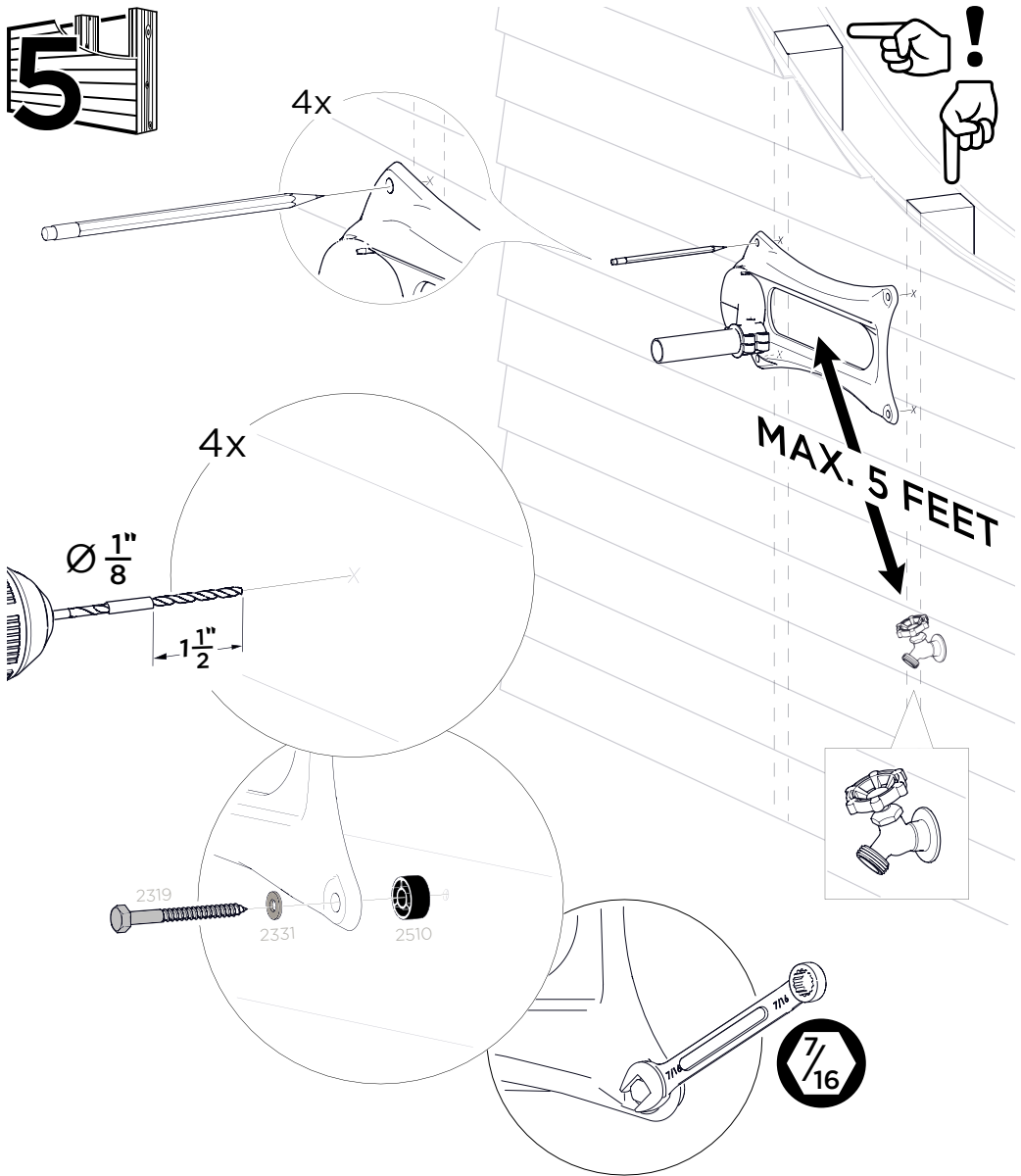
Remove the two large screws from the arm and fasten arm to base according to desired configuration: parallel, or perpendicular. Install both screws before tightening completely.

5



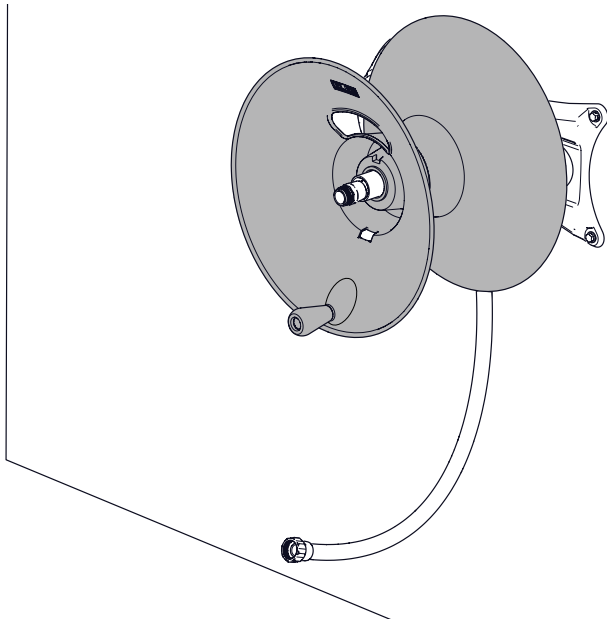
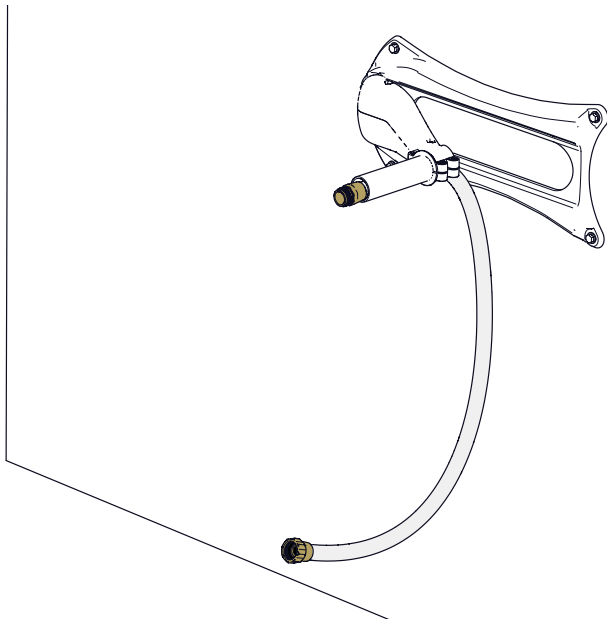
Locate base within five feet of a faucet. Mark locations of the four mounting holes on wall. Use a hammer drill and 5/16-inch masonry bit to drill 1-1/2-inch deep holes. To ensure proper depth, mark drill bit with tape 1-1/2 inches from the tip. Tap anchors through the base and into wall. Tighten with a 7/16-inch wrench or socket—avoid overtightening.

5



Locate base within five feet of a faucet. Base must be fastened to two studs. Mark locations of the four mounting holes on wall. Use a 1/8-inch drill bit to drill 1-1/2-inch deep pilot holes. Fasten base to wall with the four lag screws and flat washers. If mounting to lap siding use the standoffs (2510) between the base and siding as shown. Tighten screws with a 7/16-inch wrench or socket—avoid overtightening.

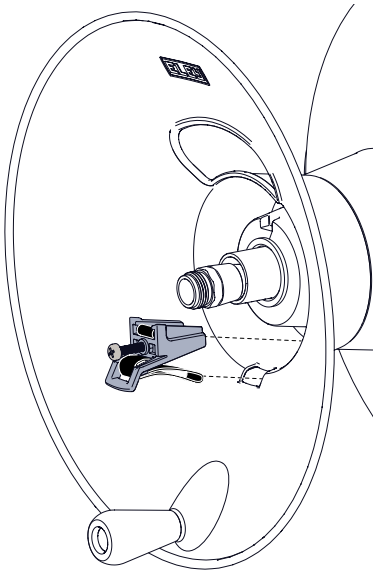
6



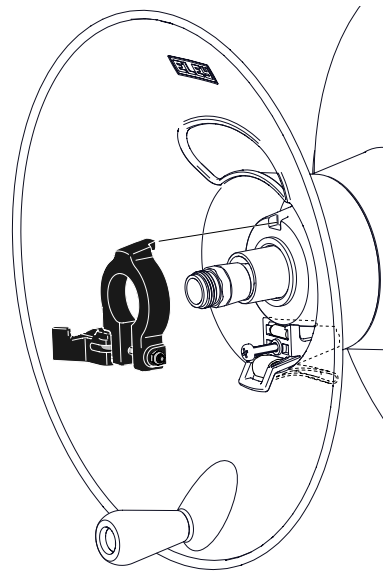
Insert the male end of the inlet hose through the back of the axle tube until accessible from front. Slide the flange assembly fully onto the axle tube.

7

1



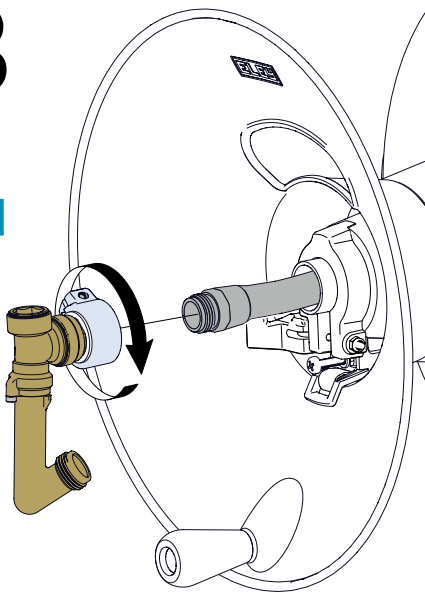
2



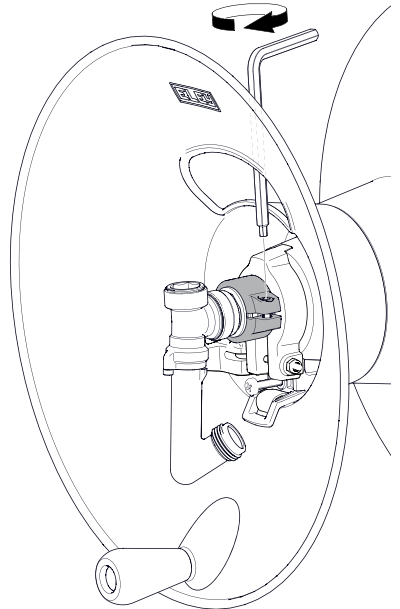
1. Insert the flexible loop of the hose strap through the small rectangle hole in the flange while nesting the hose strap into the flange center. **2.** Place brake onto axle—align the tab on the brake to the notch in the flange.

8

1

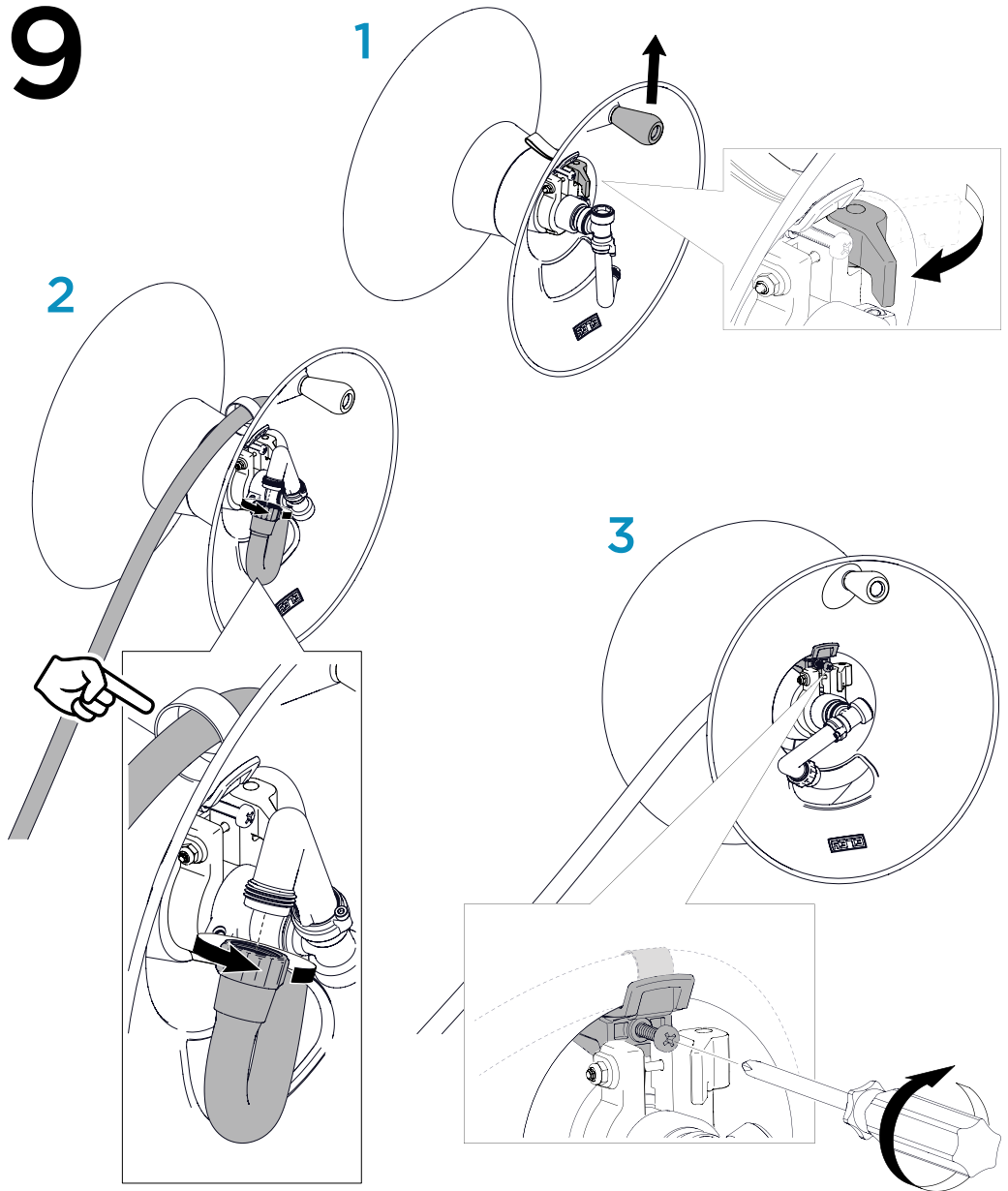


2



1. Screw the swivel onto the inlet hose—hand tighten firmly. **2.** Push the swivel fully onto the axle and tighten screw with hex key.

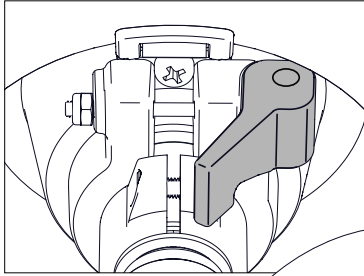
9



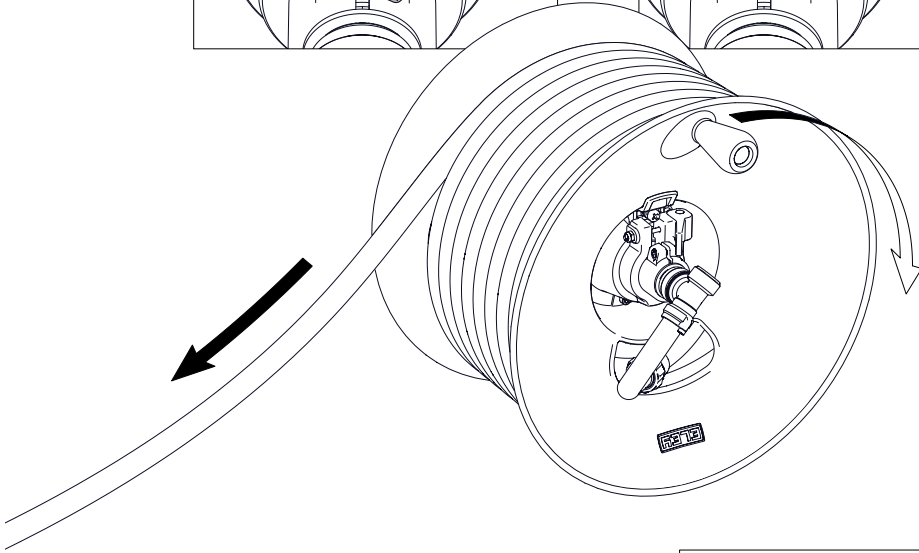
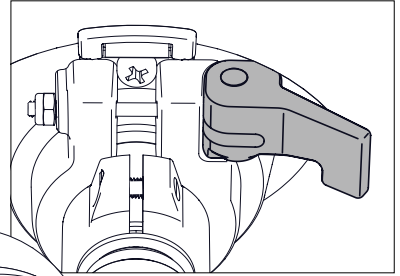
- 1.** Place crank handle in the 12 o' clock position and flip brake lever ON.
- 2.** Feed the female end of your hose through the flexible strap and out the opening in the flange. Screw hose onto the swivel—hand tighten firmly.
- 3.** Use a Phillips head screwdriver to tighten the screw on the hose strap until strap is snug on the hose.

10

Brake ON
Pulling hose out



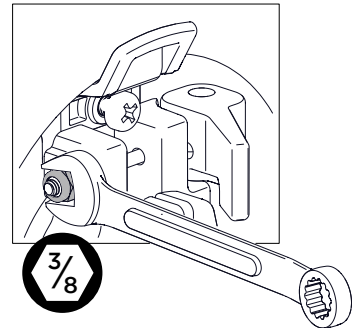
Brake OFF
Reeling hose in



Watch how to adjust
and use the brake



eleyhosereels.com/brake



As you pull hose from the reel, the brake will keep the reel from “free-spinning” and unrolling more hose than desired. Turn it ON when pulling hose from reel, and OFF when reeling in—once hose is reeled in, turn the brake ON so it’s ready for next use. If the hose is difficult to pull off or continues unspooling after you stop pulling, use a $\frac{3}{8}$ ” wrench to loosen or tighten the nut on the brake $\frac{1}{4}$ turn until corrected.



eleyhosereels.com



10-Year Warranty

Eley products are backed by an industry-leading 10-Year No-Leak, No-Rust, No Break Guarantee. For complete warranty coverage details visit eleyhosereels.com/warranty



Warranty Registration

eleyhosereels.com/register



Customer Support

eleyhosereels.com/support

