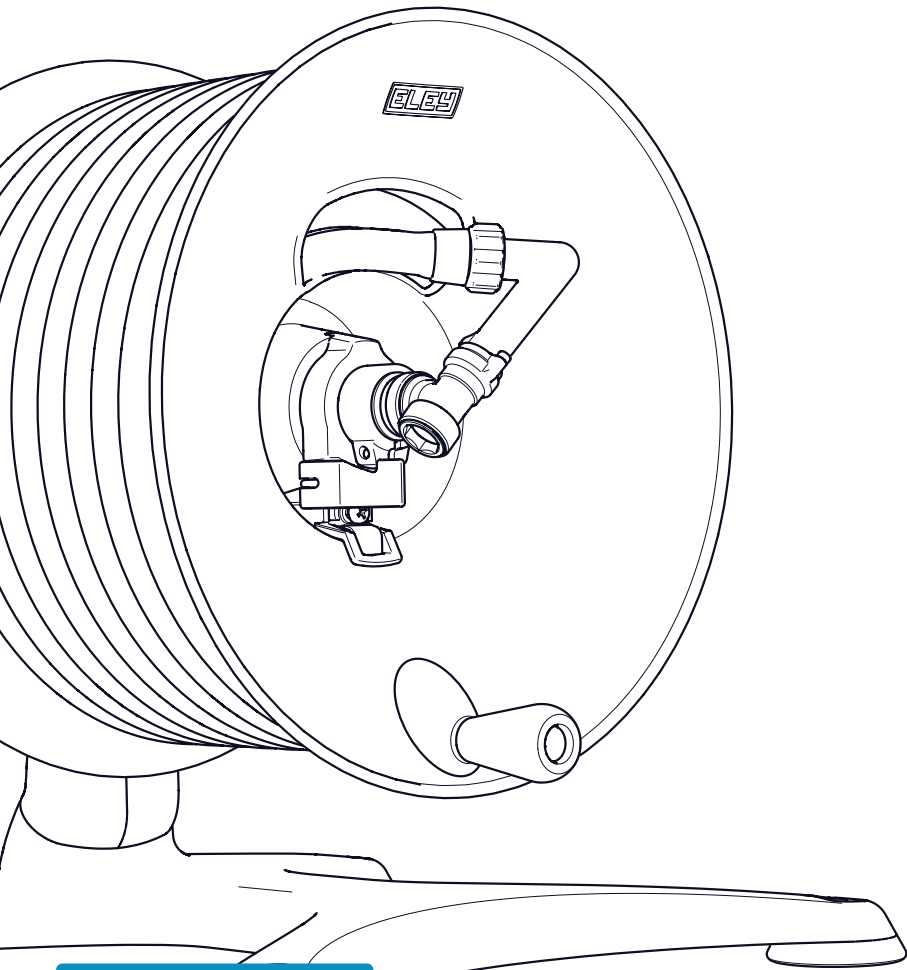


# FREE-STANDING GARDEN HOSE REEL



Watering Done Right

ITEM1042

# WE'RE METICULOUS ABOUT QUALITY...



As a family-owned business with deep roots in Nebraska's farm and ranch country, we understand the value of high-quality tools, equipment, and service.

That's why—for over 30 years—our mission has been to design, produce, and deliver the finest, most dependable reels.

We take a great deal of pride in what we do—we wouldn't put our name on it if we didn't.

---

Founding brothers: Mark, Warren, and Craig Eley

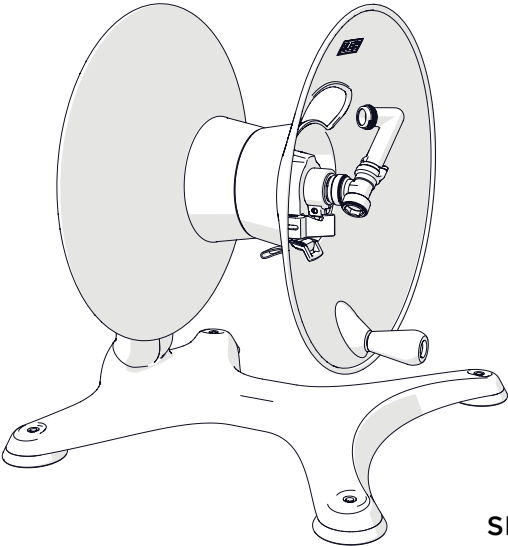
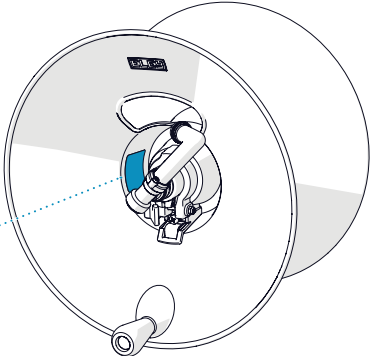
**...AND WE HAVE A FEELING  
THAT YOU ARE TOO.**

# FREE-STANDING GARDEN HOSE REEL

ITEM 1042

Purchase date \_\_\_\_\_

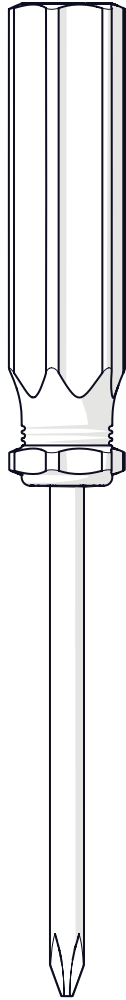
Serial number \_\_\_\_\_



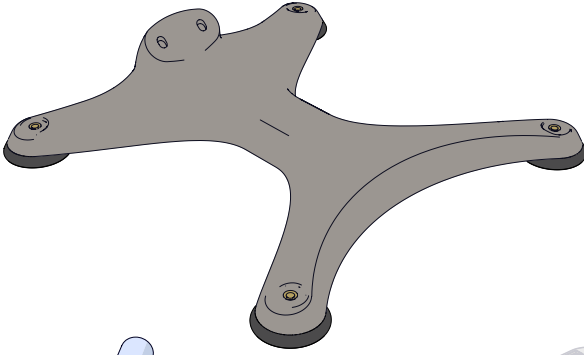
### SPECIFICATIONS

5/8 in. hose capacity	125 ft.
3/4 in. hose capacity	100 ft.
Max. working pressure	150 PSI
Drinking water safe	Yes

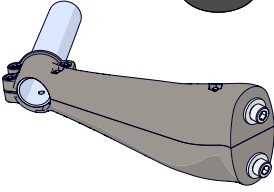
*Capacities may vary depending on hose brand and style.*



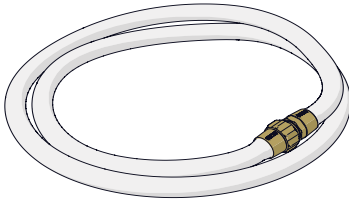
BASE  
2903



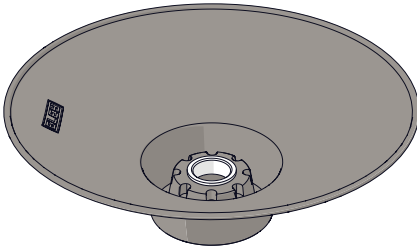
AXLE ARM  
3071



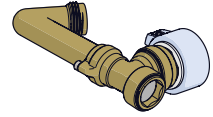
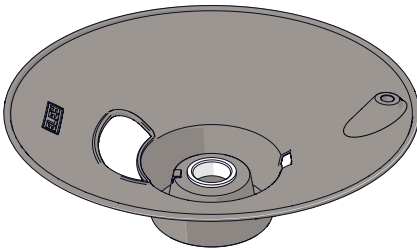
INLET HOSE 6.5'  
1160



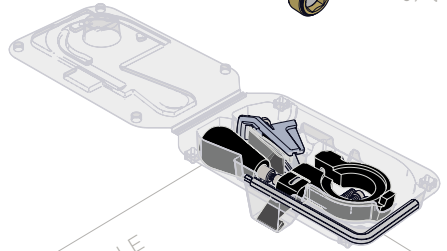
REAR FLANGE  
4148



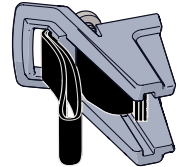
FRONT FLANGE  
4149



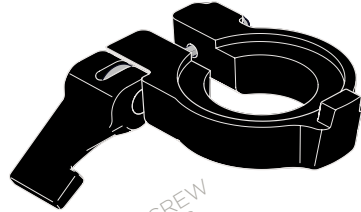
SWIVEL  
4291



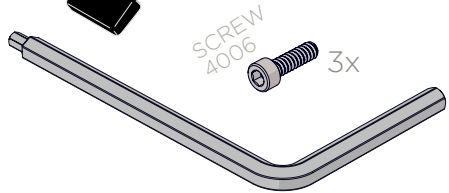
CRANK HANDLE  
2654



HOSE STRAP  
4114

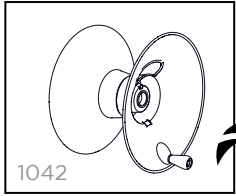
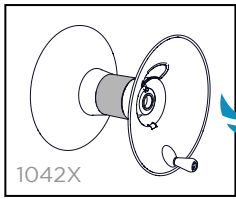


BRAKE  
2587

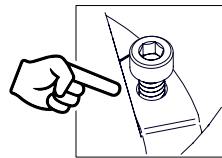
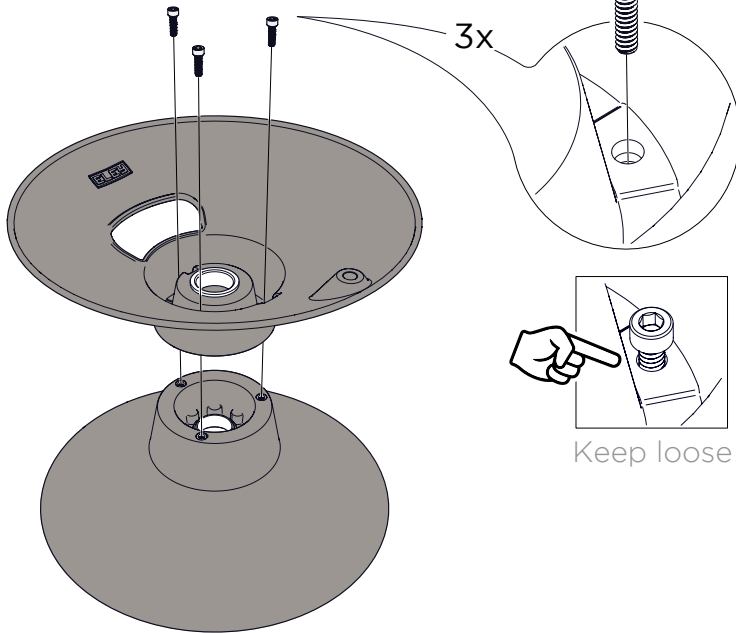
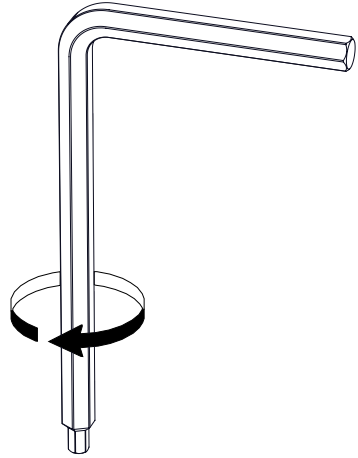


SCREW  
4006  
3x

HEX KEY  
4003



1



Keep loose



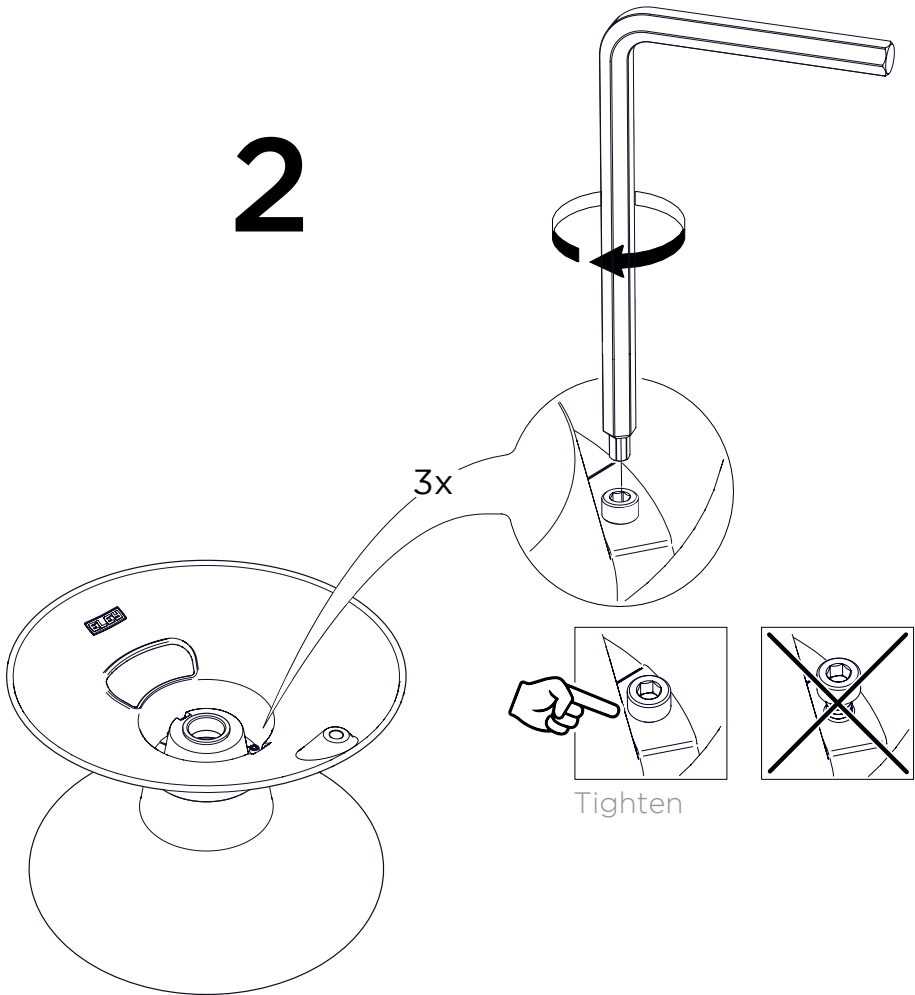
**If you have an Extra-Capacity Kit, refer to that manual before this step.**

Connect flanges by inserting the three screws through the holes in the front flange and into the nuts in the rear flange—do not tighten screws.



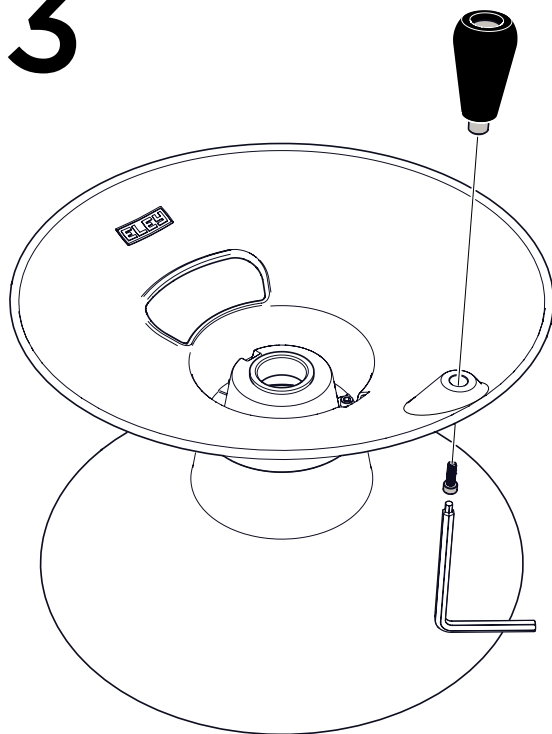
## Assembly Videos & Support

Scan with your camera for access to helpful videos, tips, and FAQs.  
[eleyhosereels.com/assembly](http://eleyhosereels.com/assembly)



With all three screws inserted, tighten. Avoid using power tools here—high speed can damage the threads.

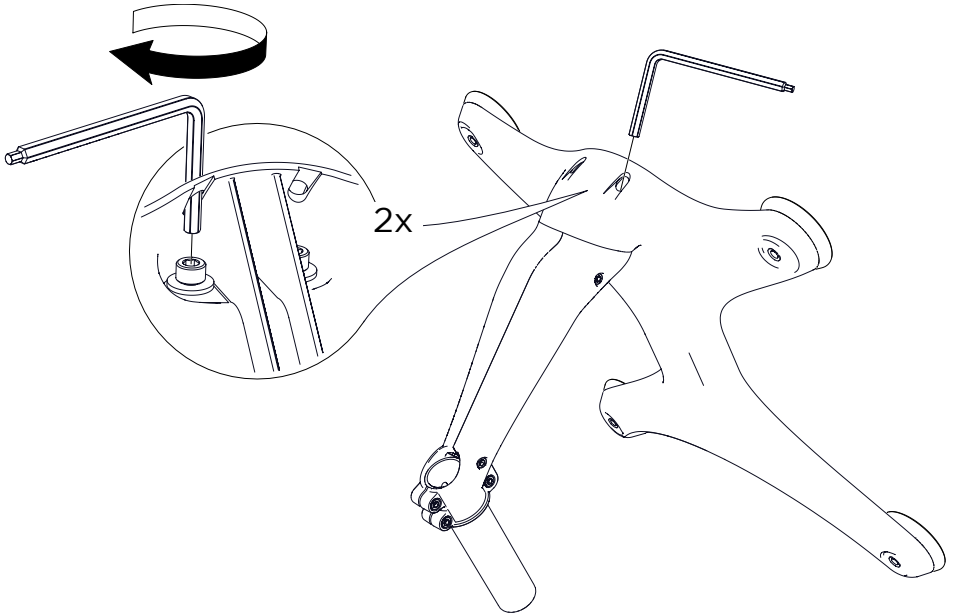
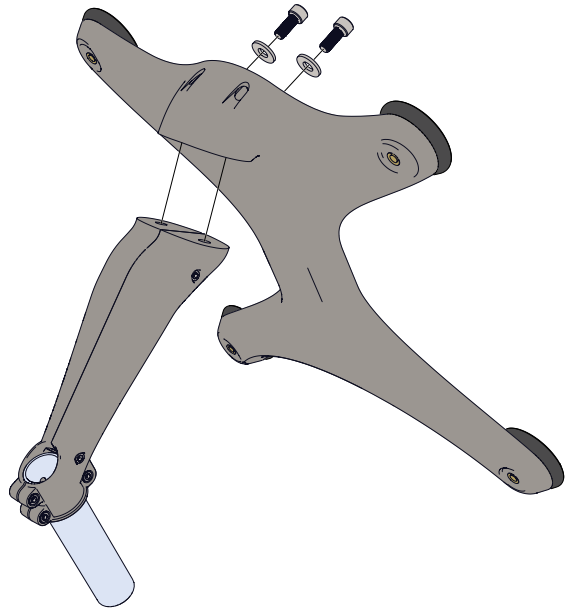
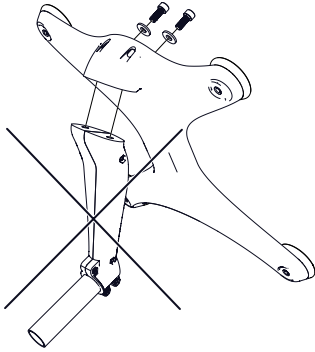
# 3



Remove screw from the handle post and insert post into the raised hole at the outer edge of flange. Insert screw from other side—tighten.

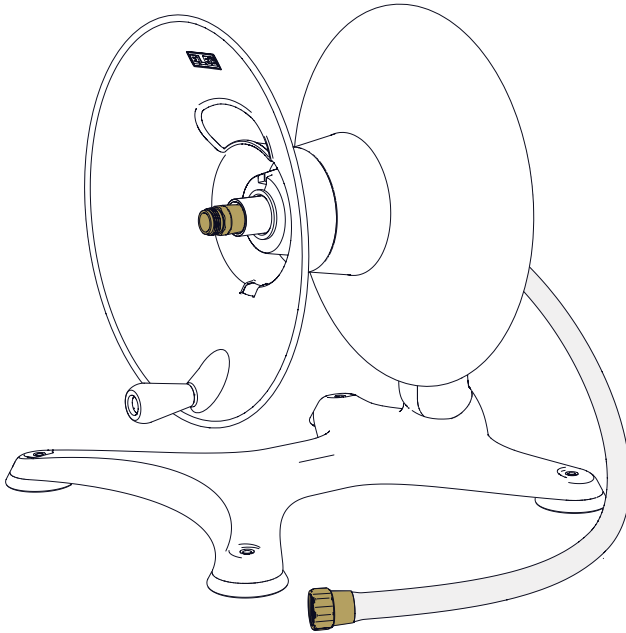
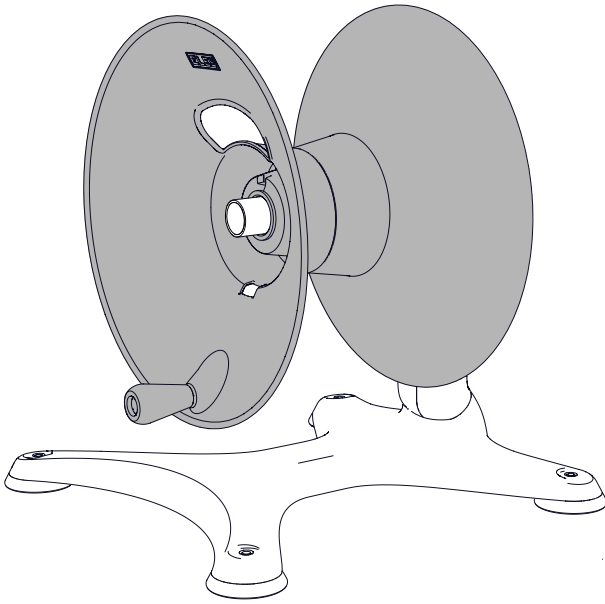


# 4



Remove the two large screws and washers from the arm and fasten the arm to the base. Install both screws before tightening completely.

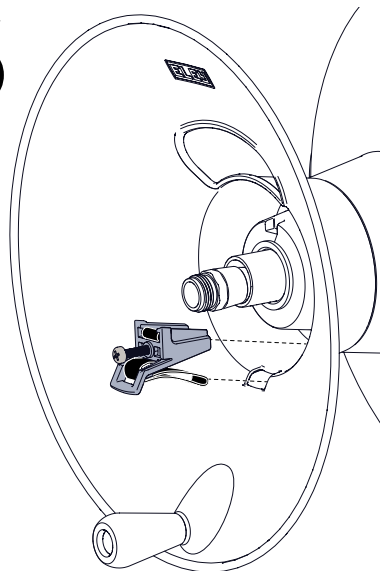
# 5



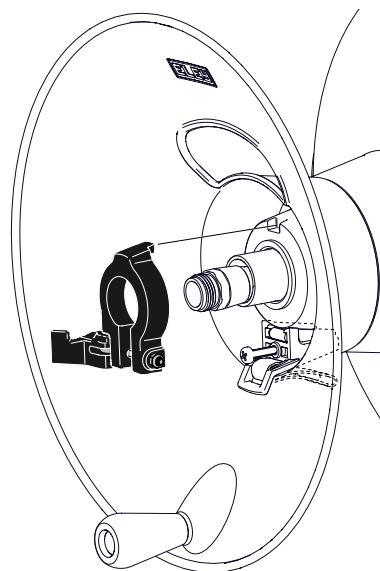
Slide the flange assembly fully onto axle tube. Insert the male end of the inlet hose through the back of the axle tube until accessible from front.

# 6

## 1



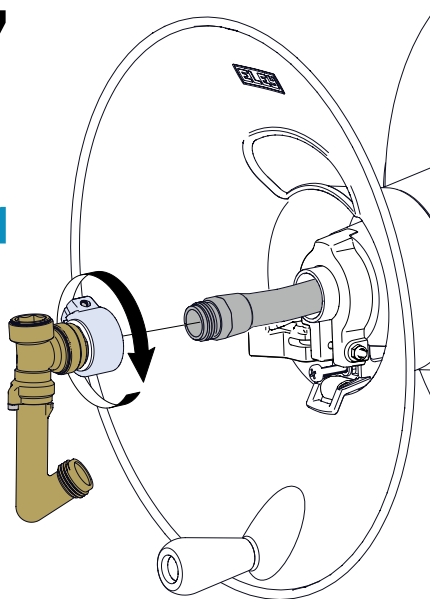
## 2



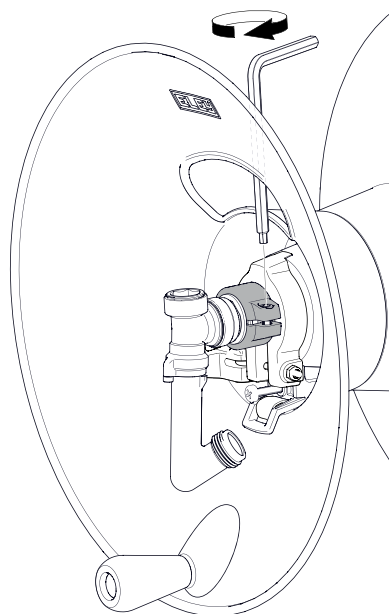
**1.** Insert the flexible loop of the hose strap through the small rectangle hole in the flange while nesting the hose strap into the flange center. **2.** Place brake onto axle—align the tab on the brake to the notch in the flange.

# 7

## 1

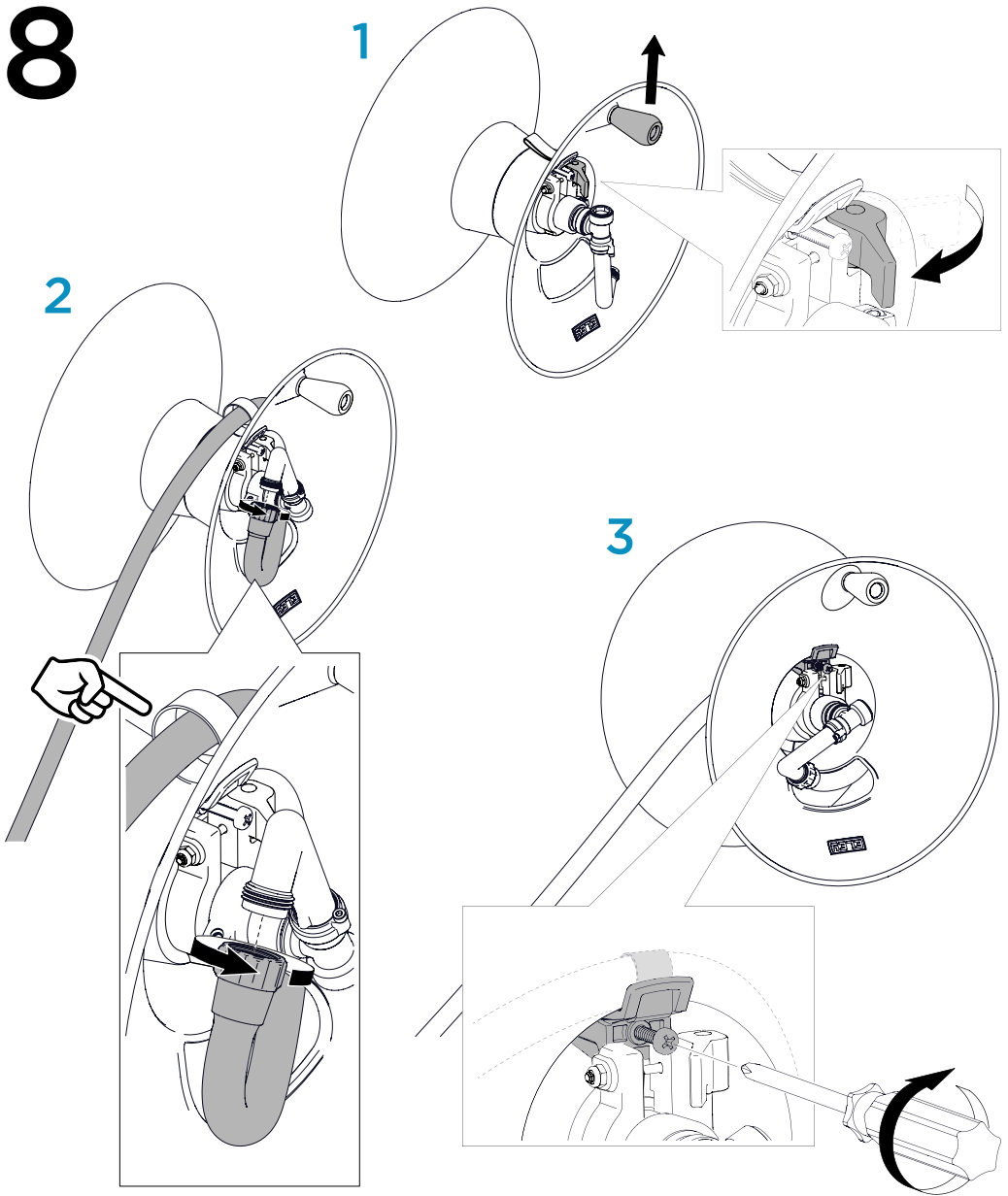


## 2



**1.** Screw the swivel onto the inlet hose—hand tighten firmly. **2.** Push the swivel fully onto the axle and tighten screw with hex key.

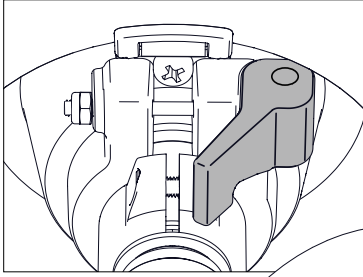
# 8



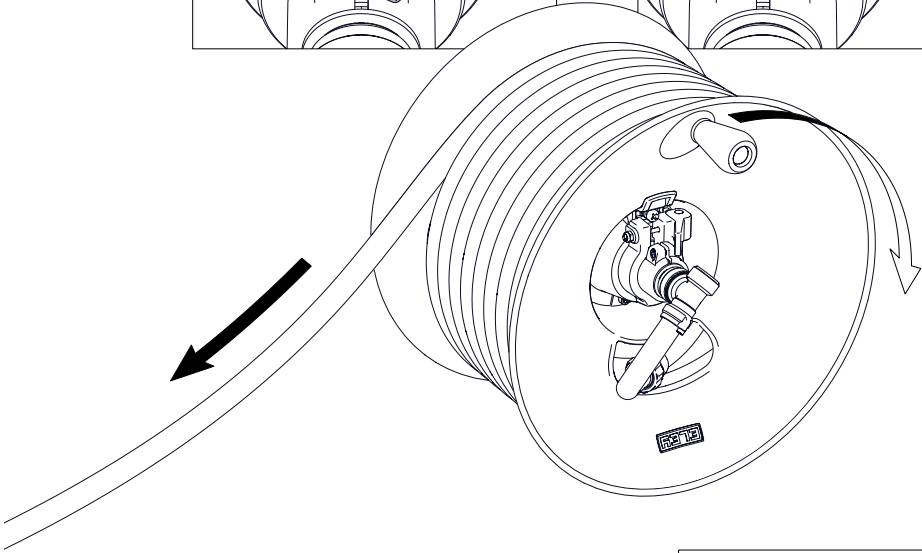
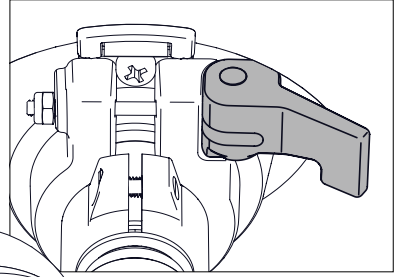
- 1.** Place crank handle in the 12 o' clock position and flip brake lever ON.
- 2.** Feed the female end of your hose through the flexible strap and out the opening in the flange. Screw hose onto the swivel—hand tighten firmly.
- 3.** Use a Phillips head screwdriver to tighten the screw on the hose strap until strap is snug on the hose.

# 9

**Brake ON**  
Pulling hose out



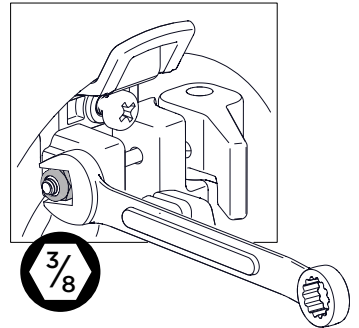
**Brake OFF**  
Reeling hose in



Watch how to adjust  
and use the brake



[eleyhosereels.com/brake](http://eleyhosereels.com/brake)



As you pull hose from the reel, the brake will keep the reel from “free-spinning” and unrolling more hose than desired. Turn it ON when pulling hose from reel, and OFF when reeling in—once hose is reeled in, turn the brake ON so it’s ready for next use. If the hose is difficult to pull off or continues unspooling after you stop pulling, use a  $\frac{3}{8}$ ” wrench to loosen or tighten the nut on the brake  $\frac{1}{4}$  turn until corrected.



[eleyhosereels.com](http://eleyhosereels.com)



### **10-Year Warranty**

Eley products are backed by an industry-leading 10-Year No-Leak, No-Rust, No Break Guarantee. For complete warranty coverage details visit [eleyhosereels.com/warranty](http://eleyhosereels.com/warranty)



### **Warranty Registration**

[eleyhosereels.com/register](http://eleyhosereels.com/register)



### **Customer Support**

[eleyhosereels.com/support](http://eleyhosereels.com/support)

