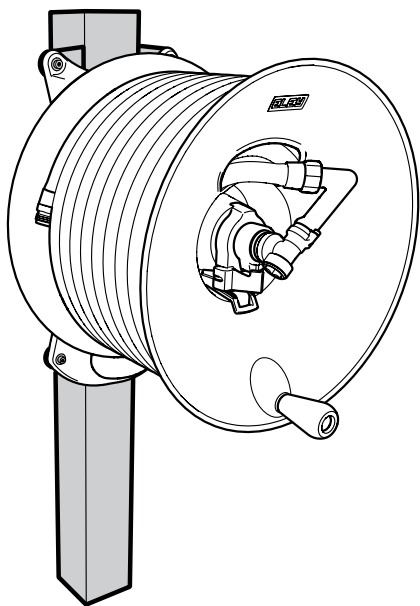


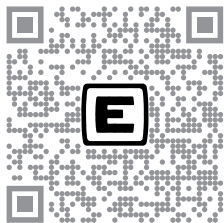
POST MOUNT KIT



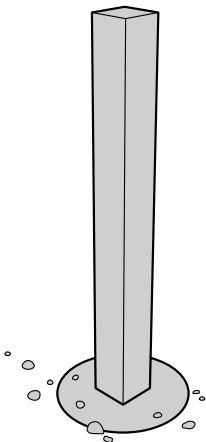
Watering Done Right™

ITEM 1125

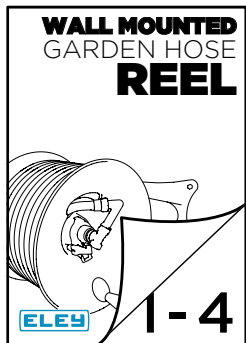
1 Ensure a proper post installation



eleyhosereels.com/wood-post-install



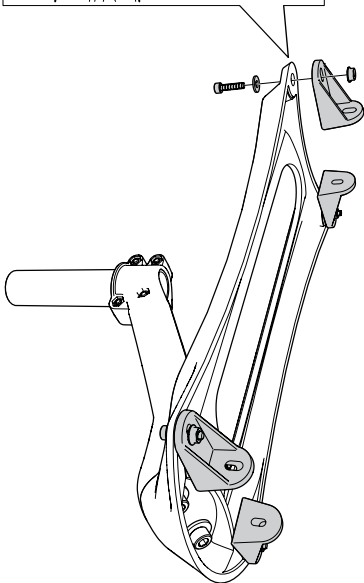
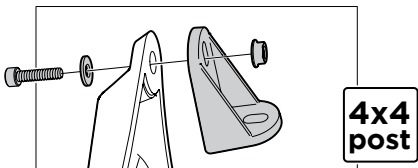
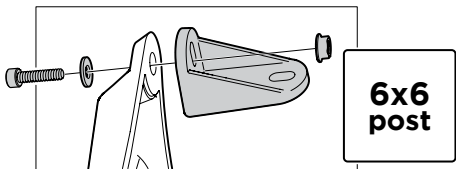
2 Finish steps one to four in the hose reel manual



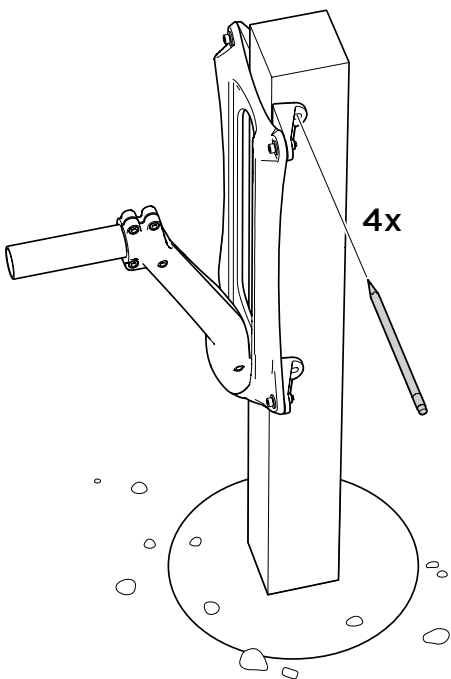
Choose **PARALLEL** in step 4



3 Attach brackets to reel finger-tight only

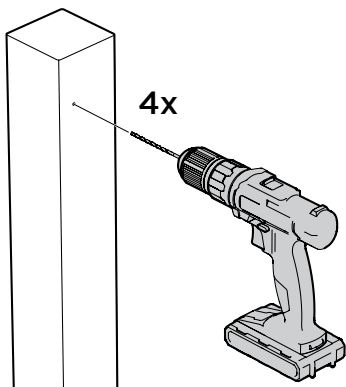


4 Mark hole locations on wood post

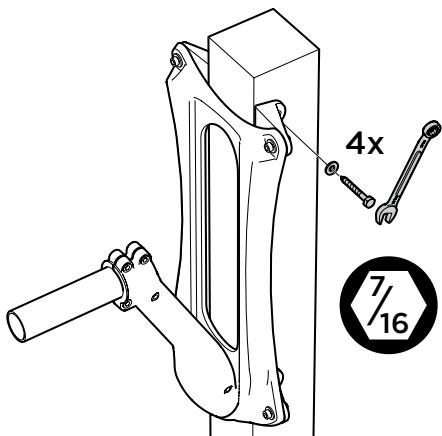


Top brackets should be
about waist-high

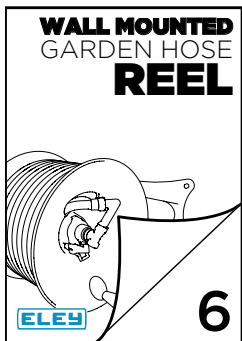
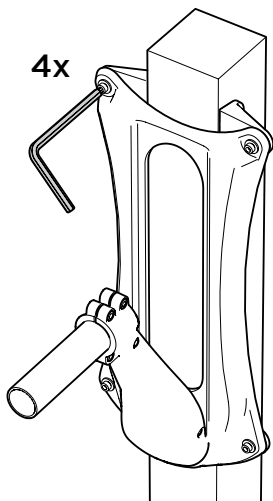
5 Drill holes 1-1/2 inches deep with a 1/8-inch bit



6 Fasten to wood post with the lag screws



7 Tighten screws with the hex key from reel



Continue to
step 6 in the
reel manual

