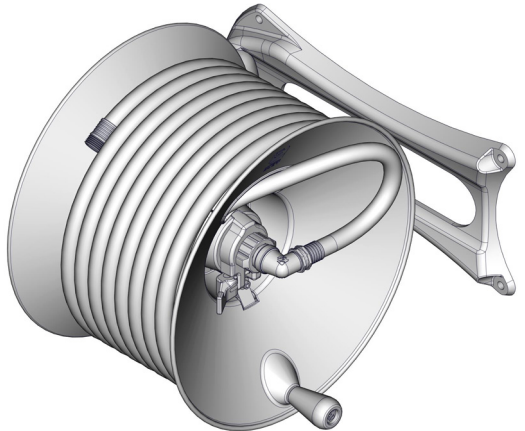
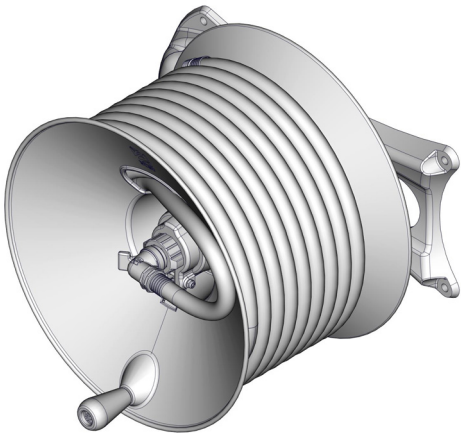


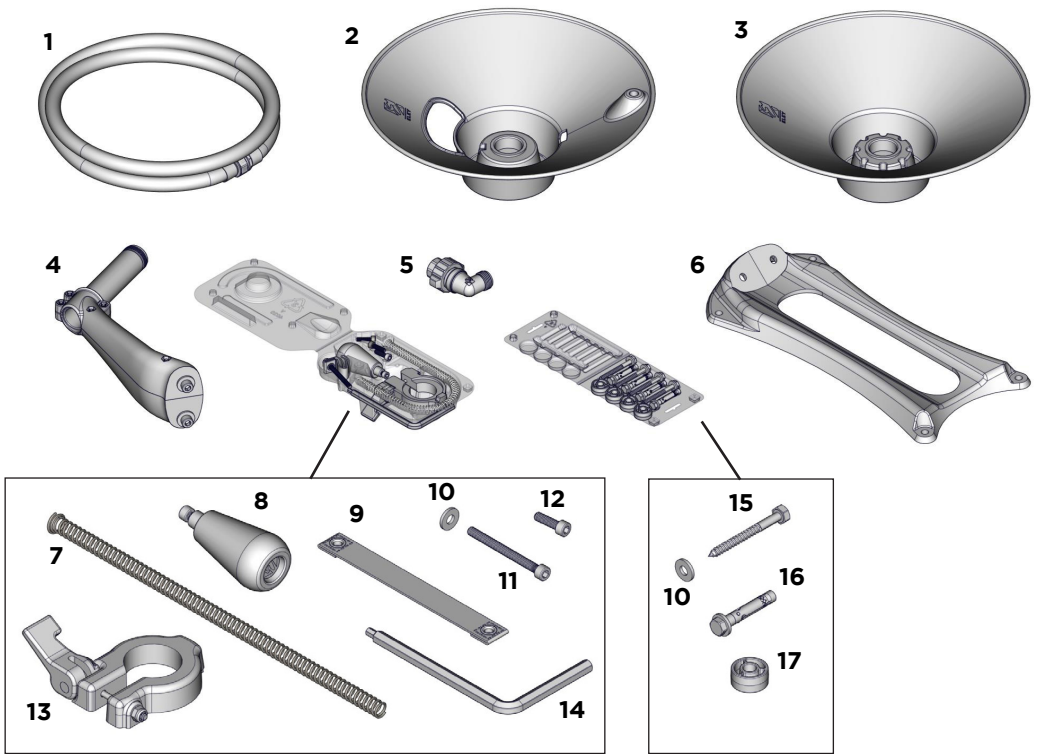


Wall Mount Garden Hose Reel

Model 1041

## **Assembly & Installation Instructions**





## CONTENTS

ID#	Part #	Description	Qty
1	1087	ELEY 5/8-PUR-GARDEN HOSE X 6.5	1
2	4027	FLANDRUM, FRONT 16	1
3	4028	FLANDRUM, REAR 16	1
4	3071	ASSEMBLY, GH ARM	1
5	2914	SWIVEL, 3/4GHF x 3/4GHM 95° ANGLE	1
6	2558	BASE, WALL MOUNT	1
7	2367	SPRING, ANTI-KINK	1
8	4044	ASSEMBLY, CRANK HANDLE	1
9	4045	STRAP, GROMMETED HOSE	1
10	2331	WASHER, 1/4" FLAT	5
11	4009	SCREW, M6 x 65 HEX SOCKET HEAD CAP	1
12	4006	SCREW, M6 x 20 HEX SOCKET HEAD CAP	3
13	2587	BRAKE, CAM LEVER	1
14	4003	KEY, 8M x M5 L HEX	1
15	2319	SCREW, 1/4 x 2-1/2 HEX HEAD LAG	4
16	2598	ANCHOR, 5/16" x 1-3/4" SLEEVE BOLT	4
17	2510	STANDOFF	4

## Reel Specifications

Max. Temperature....140° F (60° C)  
 Max. Pressure.....150 PSI (10 Bar)

## QUESTIONS? PROBLEMS?

Please **DO NOT** contact or return this item to the retailer. Seek assistance directly from **ELEY Corporation** using the information below.

### PHONE:

1-866-523-2363 (toll free)  
 MON- FRI, 8am to 5pm (CST)

### E-MAIL:

[support@eleyhosereels.com](mailto:support@eleyhosereels.com)  
 MON- FRI, 8am to 5pm (CST)

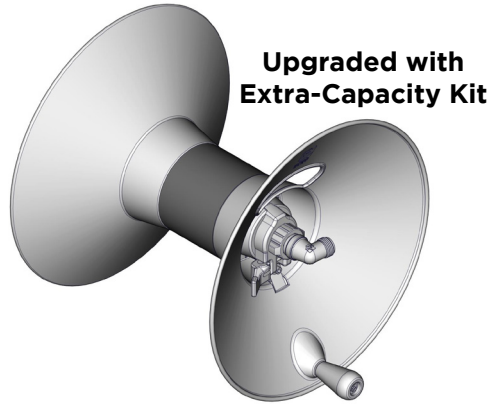
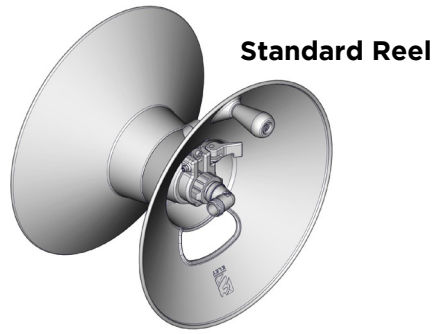
### ONLINE:

The SUPPORT section on our website [www.eleyhosereels.com](http://www.eleyhosereels.com) is available 24/7/365 and contains assembly videos, repair instructions and FAQ's.



## IMPORTANT!

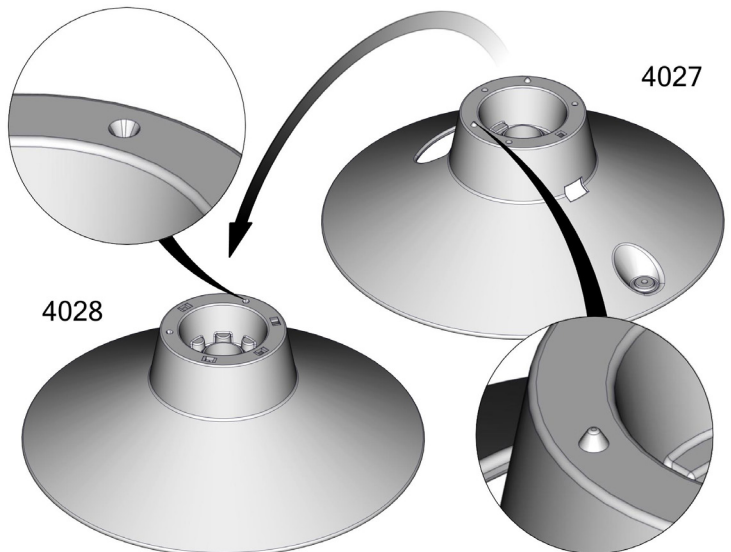
If you purchased an **Extra-Capacity Kit** (Item# 1044) with your reel, please refer to the assembly instructions included with the **Extra-Capacity Kit** now. When you have completed those instructions, then proceed to Step 3 of this manual.



### STEP 1

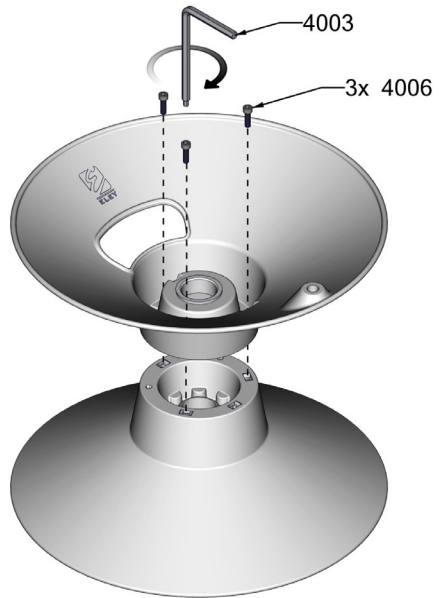
Place the Front Flange (4027) on top of the Back Flange (4028).

Pins and sockets on the flanges will aid in proper alignment.



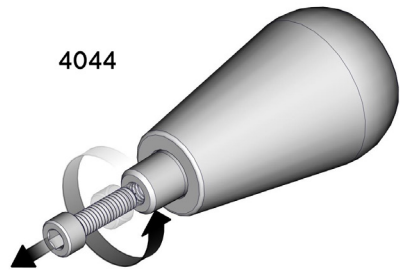
**STEP 2**

Fasten flanges together using the three M6 x 20 Hex Socket Head Cap Screws (4006) and the small hex end of the Hex Key Wrench (4003).



**STEP 3**

Remove the screw from the Handle Assembly (2654).



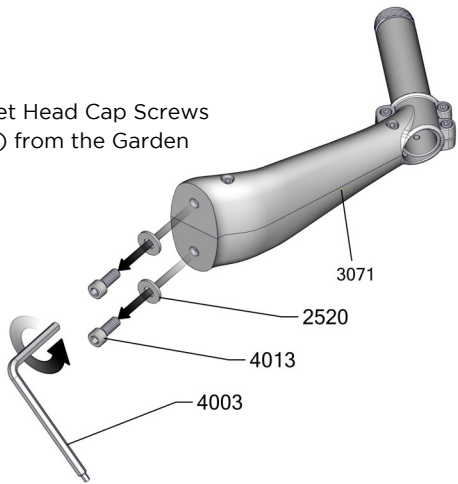
**STEP 4**

Install Handle Assembly into Front Flange.



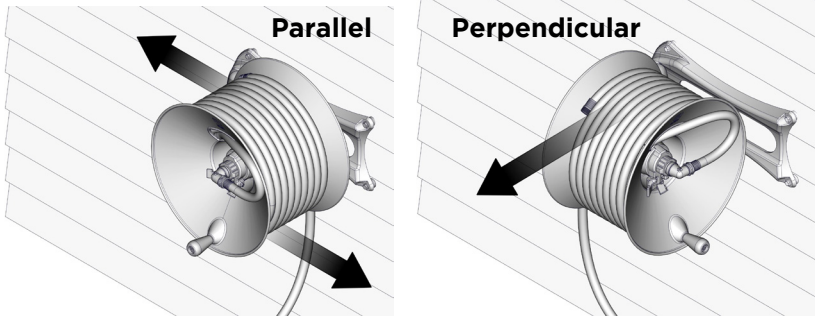
### STEP 5

Remove the two M10 x 25 Hex Socket Head Cap Screws (4013) and 3/8" Flat Washers (2520) from the Garden Hose Reel Arm (3071).



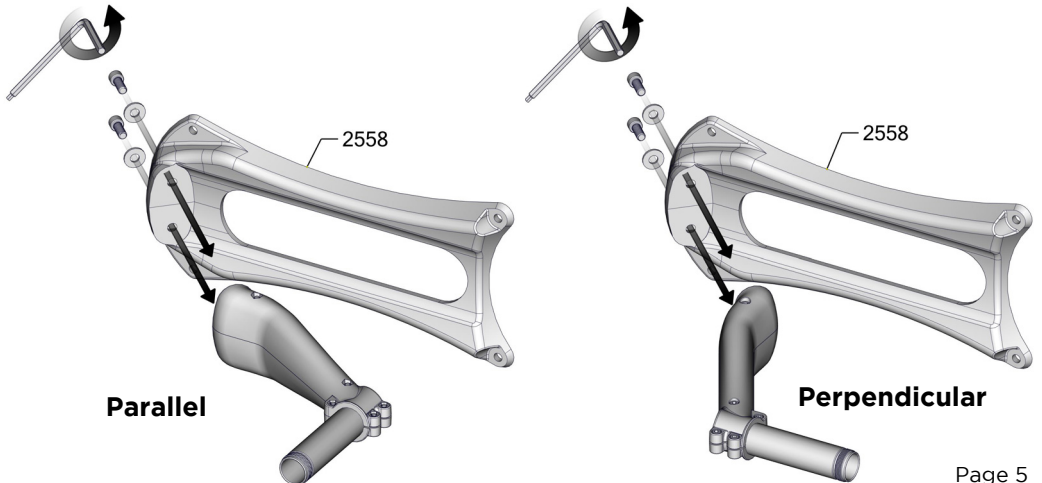
### STEP 6

Determine which direction you want the reel to operate.



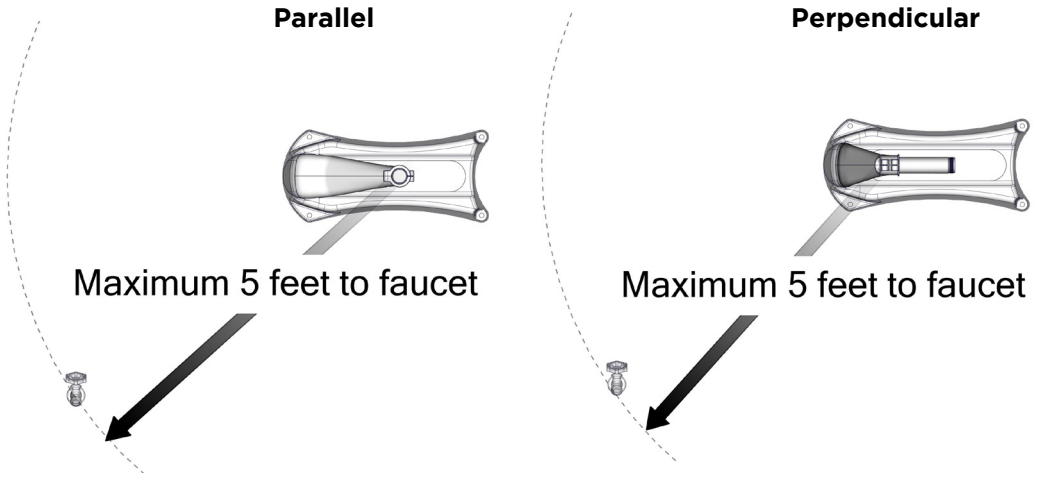
### STEP 7

Attach the Garden Hose Reel Arm (3071) securely to the Wall Mount Base (2558) using the two previously removed M10 x 25 Hex Socket Head Cap Screws (4013) and 3/8" Flat Washers (2520).



### Step 8

Locate the reel base within 5 feet of your faucet. **Note:** Be certain there are no other objects that may interfere with the proper operation of your reel.

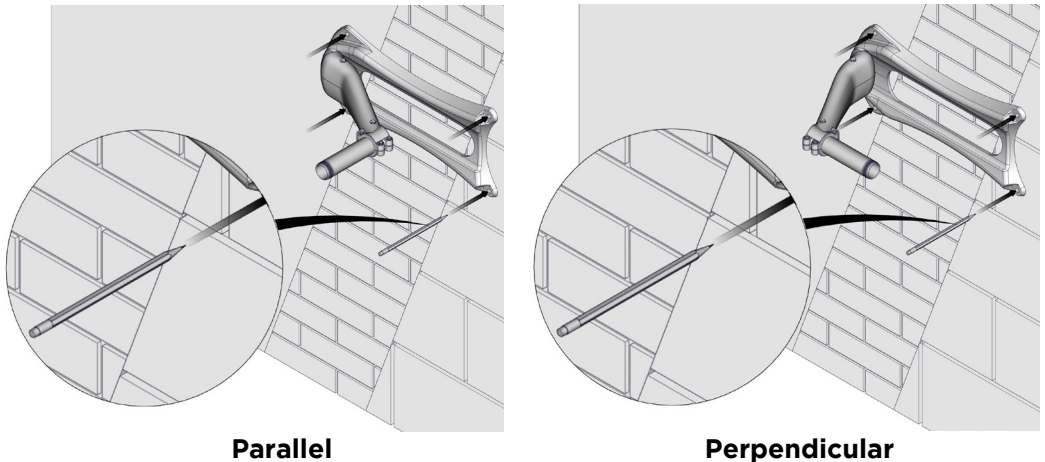


### Installation Option A - Masonry Walls

(For Option B, stud-wall installation, skip ahead to page 8)

### Step A9

Use a marker or pencil to mark the location of the four mounting holes on your wall.



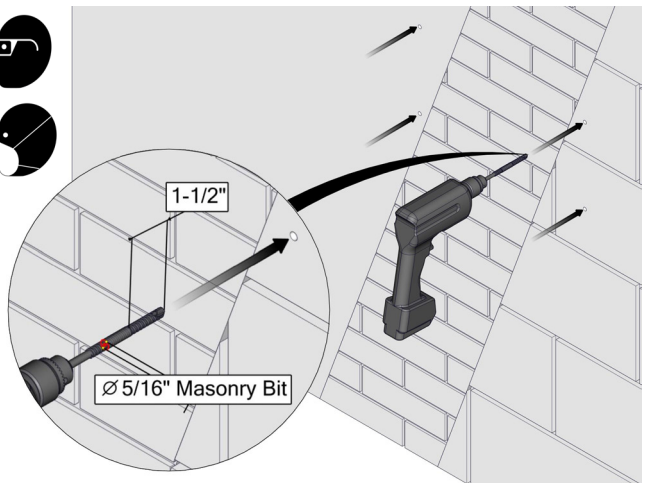
### Step A10

Use a 5/16 inch masonry bit (not included) and drill 1-1/2 inch deep holes at the 4 marked locations.



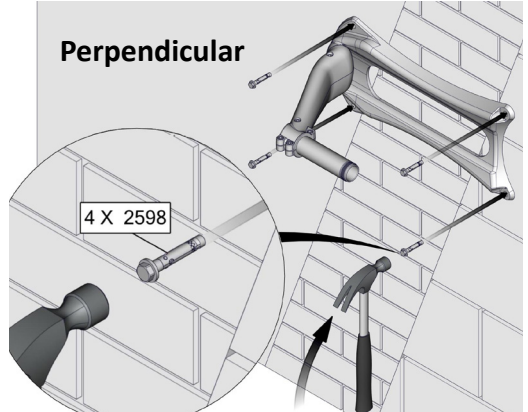
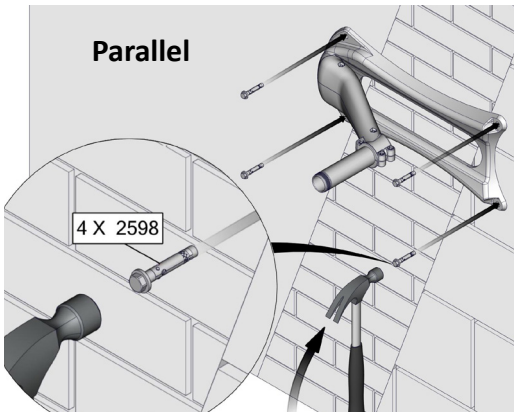
#### Helpful hints:

Measure and then mark the masonry bit with masking tape to ensure you drill at the proper depth. Clean the holes with a shop vacuum. Wear eye and dust protection.



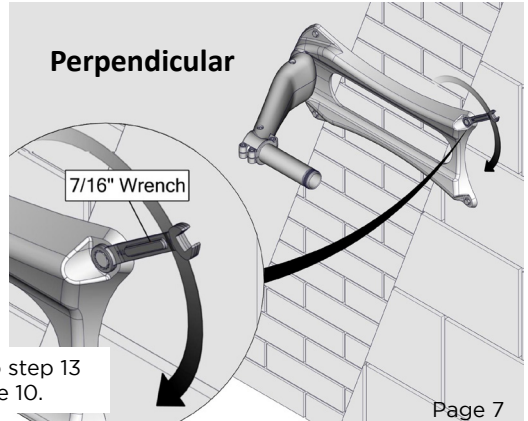
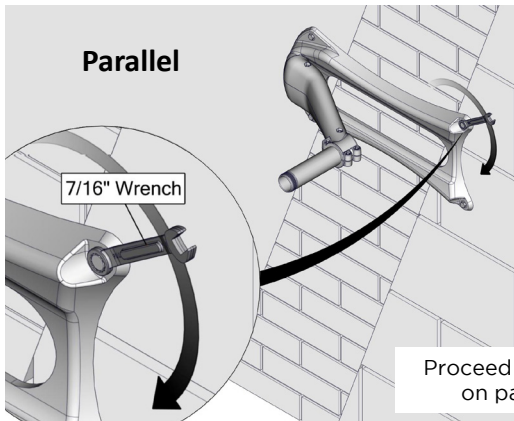
### Step A11

Position the Wall Mounting Base over the drilled holes and tap the four 5/16" x 1-3/4" Sleeve Anchor Bolts (2598) through the base and into the holes in the wall.



### Step A12

Tighten the four sleeve anchor bolts with a 7/16 inch wrench. **Do not over tighten.**



Proceed to step 13  
on page 10.

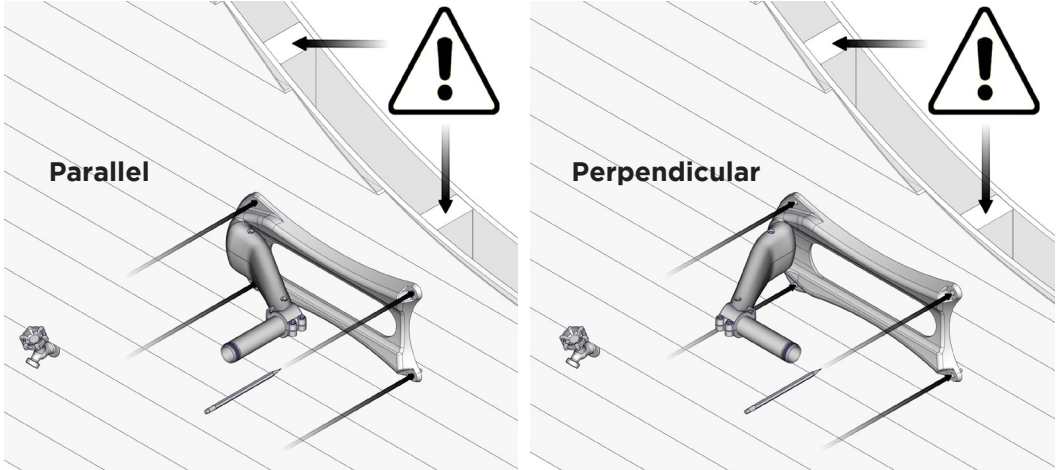


## Installation Option B - Stud Walls

### Step B9

Use a marker or pencil to mark the location of the four mounting holes on your wall.

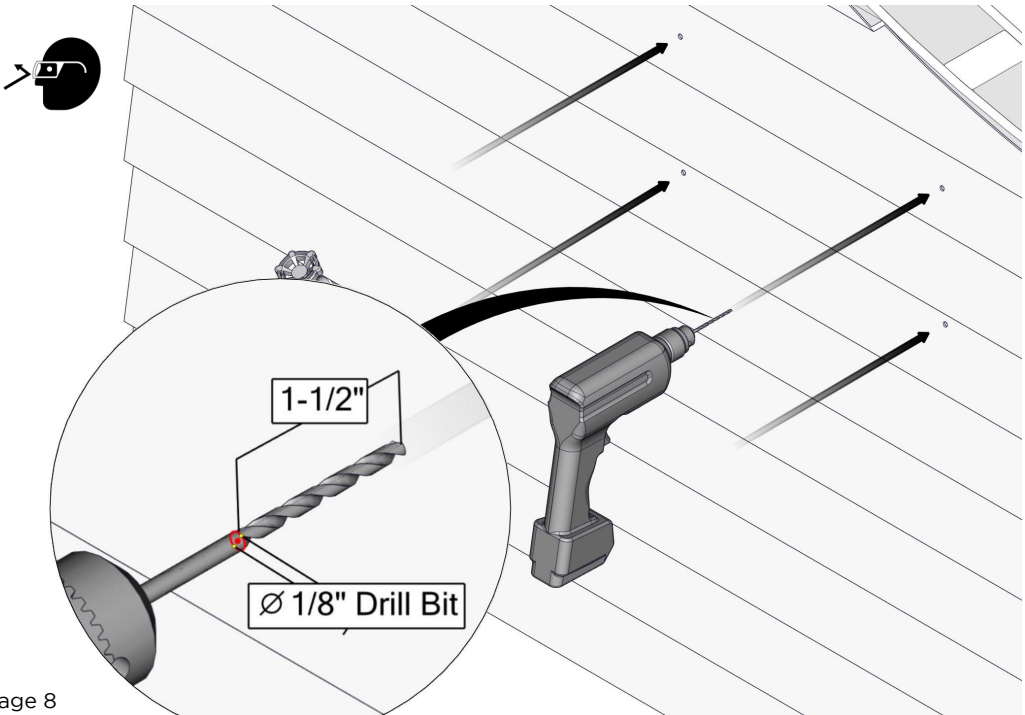
**Note:** Locate studs prior to drilling. The reel must be fastened to 2 studs.



### Step B10

Use a 1/8 inch drill bit (not included) and drill 1-1/2 inch deep holes at the four marked locations.

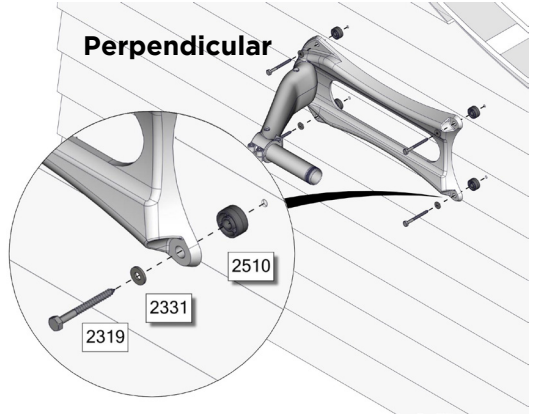
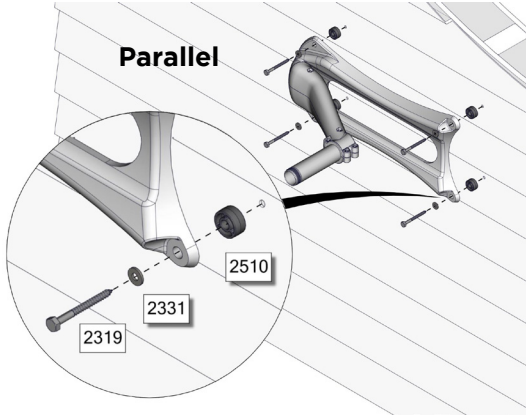
**Helpful hint:** Measure and then mark the drill bit with masking tape to ensure you drill at the proper depth. Wear eye protection.





## Step B11

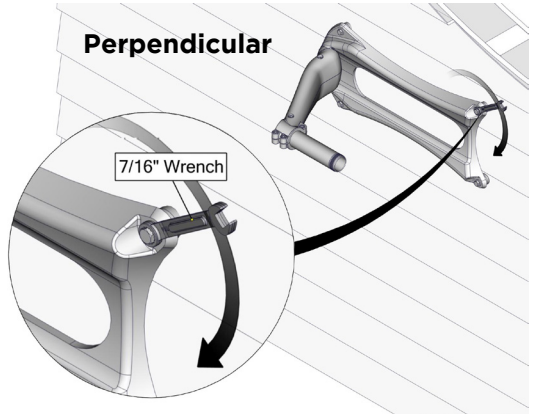
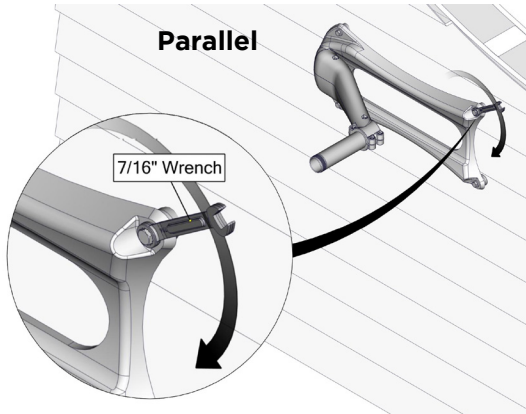
If you are fastening to lap siding, use the four Standoffs (2510) between the Wall Mounting base and the siding. Fasten the base to the wall with the four 1/4 x 2-1/2 inch Hex Head Lag Screws (2319) and 1/4 inch Flat Washers (2331).



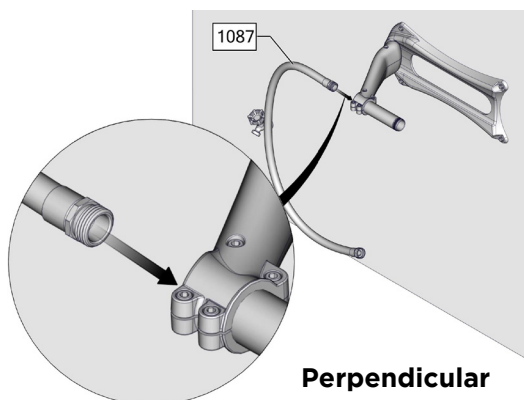
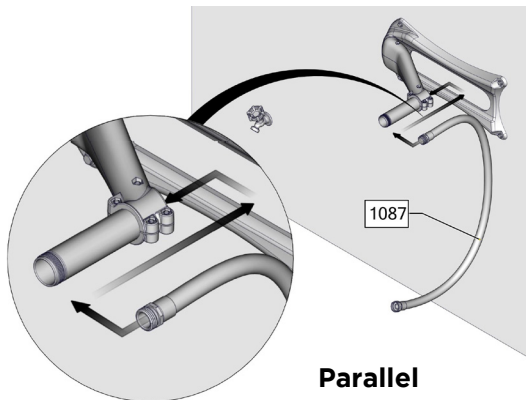
## Step B12

Tighten the four 1/4 x 2-1/2 inch Hex Head Lag Screws (2319) with a 7/16 inch wrench.

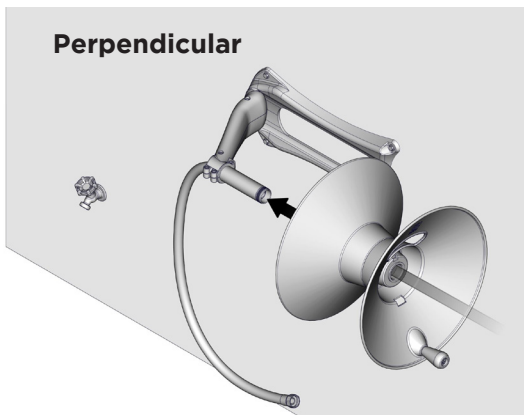
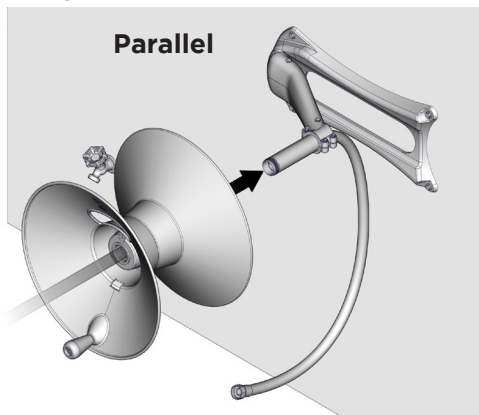
**Do not over tighten.**



**Step 13** - Insert the externally threaded (male) end of the Inlet hose (1087) into the axle tube until it is accessible from the other side.

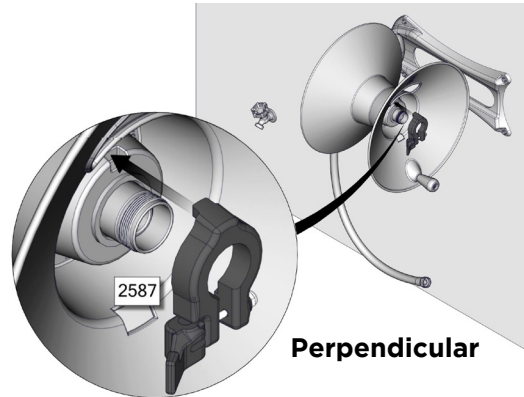
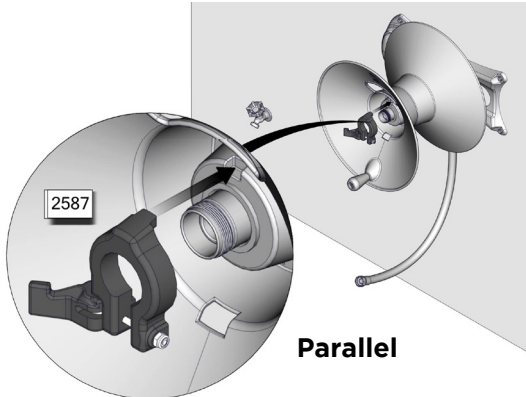


**Step 14** - Install the Flange Assembly onto the axle with the crank handle to the outside.



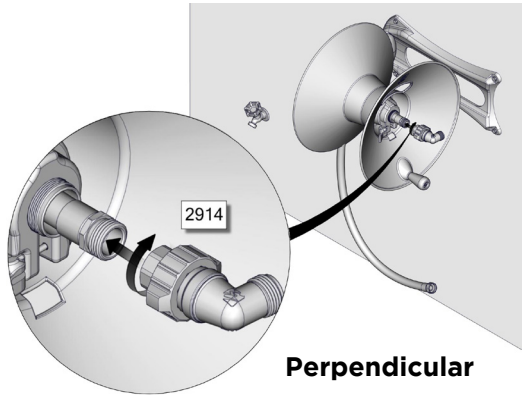
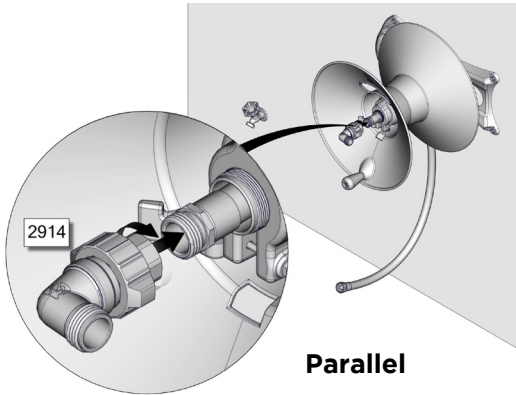
**Step 15** - Install the Cam-lever Brake (2587) onto the axle.

**Note:** Align the tab on the brake with the notch in the flange.

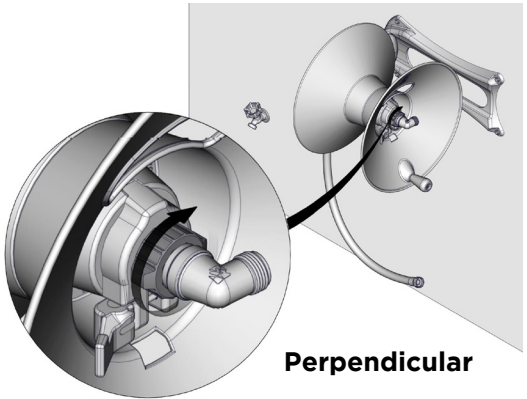
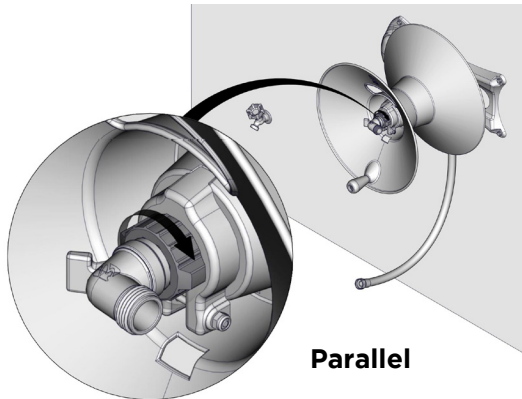


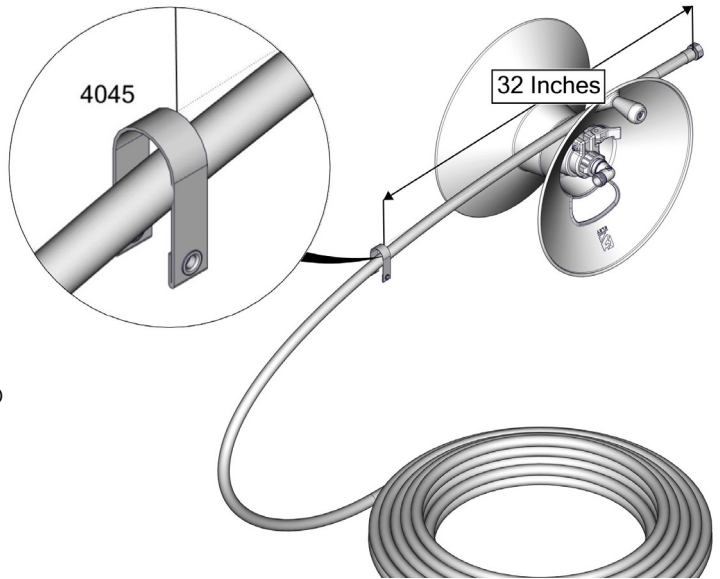
## Step 16

Attach the Swivel (2914) to the inlet hose.



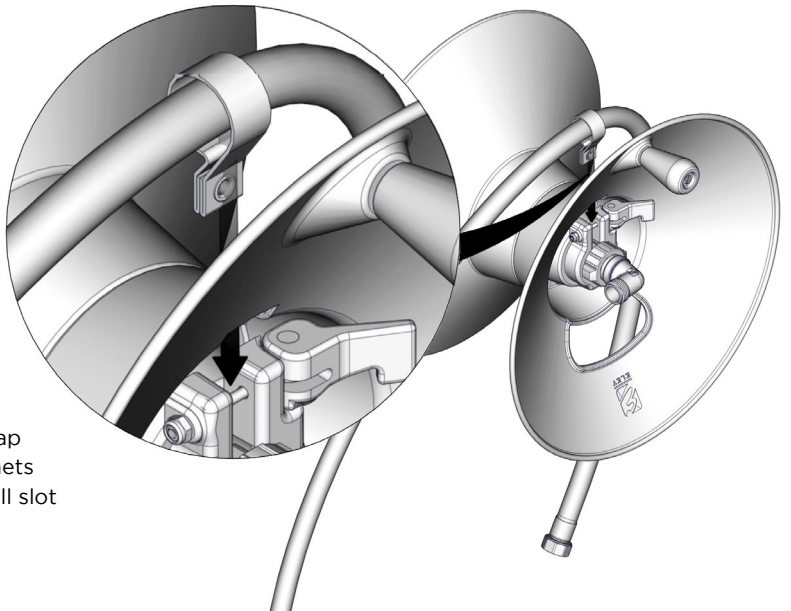
**Step 17** - Attach the Swivel to the axle. Hand tighten firmly.





### Step 18

Position the Hose Strap (4045) 32 inches from the internally threaded (Female) end of your garden hose.



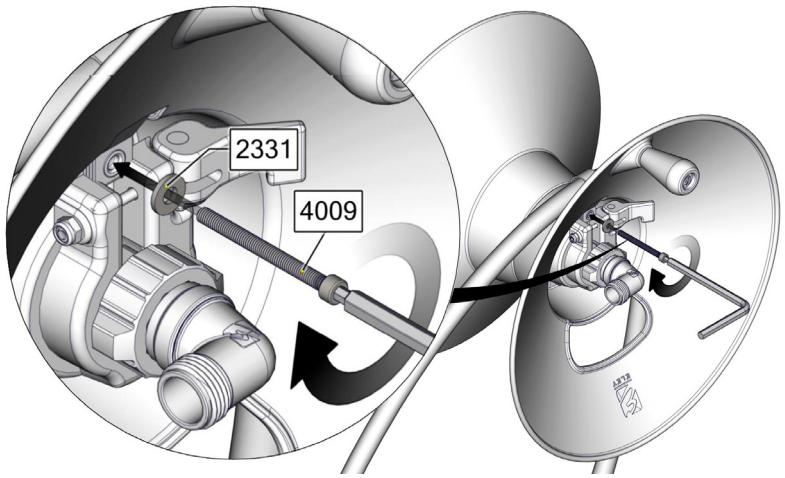
### Step 19

Position the Hose Strap (4045) so the grommets pass through the small slot in the flange.

**Step 20**

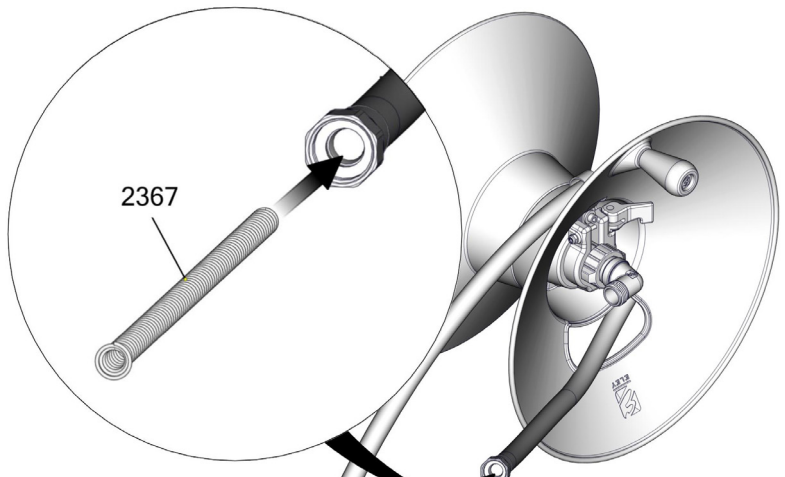
Tighten the hose strap. The M6 x 65 Hex Socket Head Cap Screw (4009) will pass through the 1/4 inch Flat Washer (2331) and the two brass grommets on the hose strap and then thread into the cage nut on the reel flange assembly.

**Do not over tighten.**



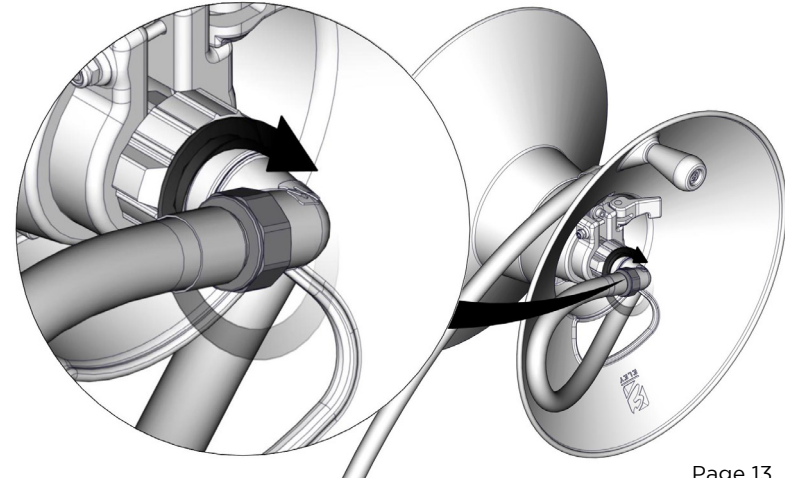
**Step 21**

Insert your garden hose through the large opening in the reel flange. Install the Anti-Kink Spring (2367) into the end of your hose. The small end first.



**Step 22**

Hand tighten your garden hose to the brass swivel.



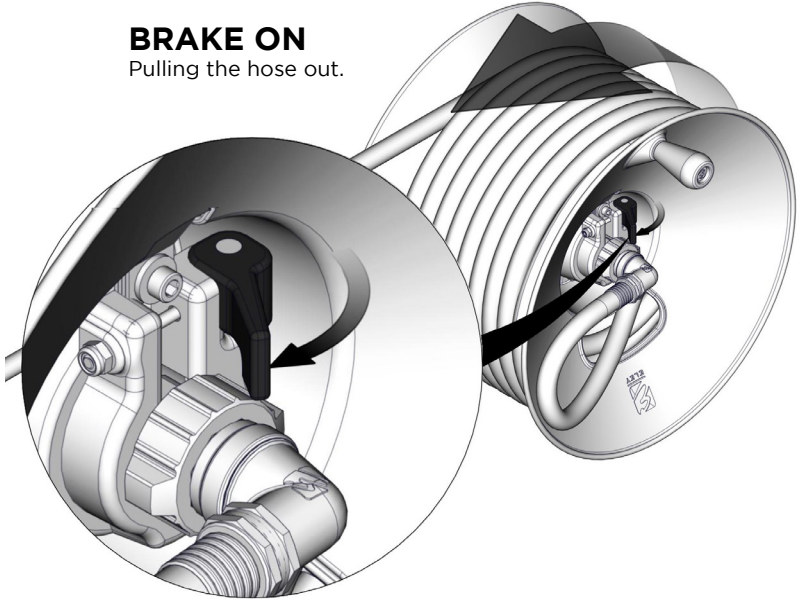


## How to use the Cam-Lever Brake

As you pull the hose from the reel, our innovative cam-lever brake will prevent the reel from “free-spinning”, unrolling more hose than you want. The brake can be turned ON and OFF with the flick of the lever.

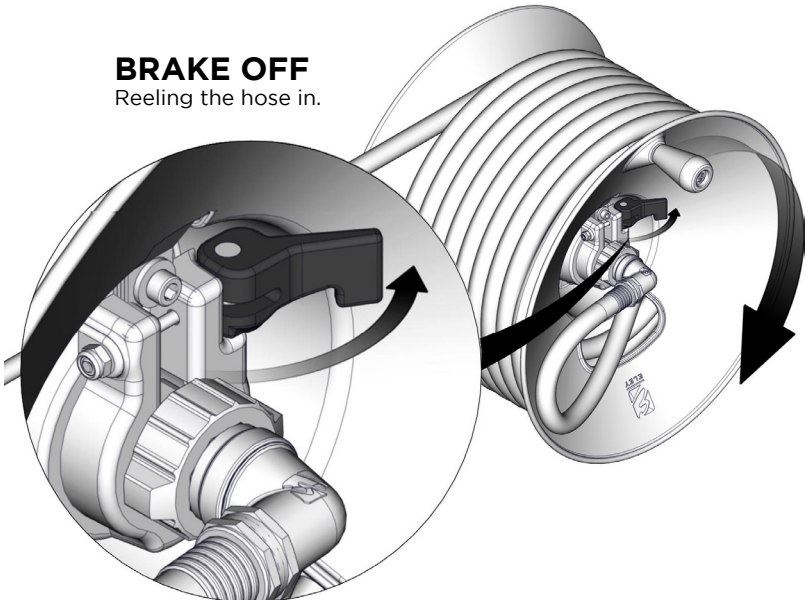
### **BRAKE ON**

Pulling the hose out.



### **BRAKE OFF**

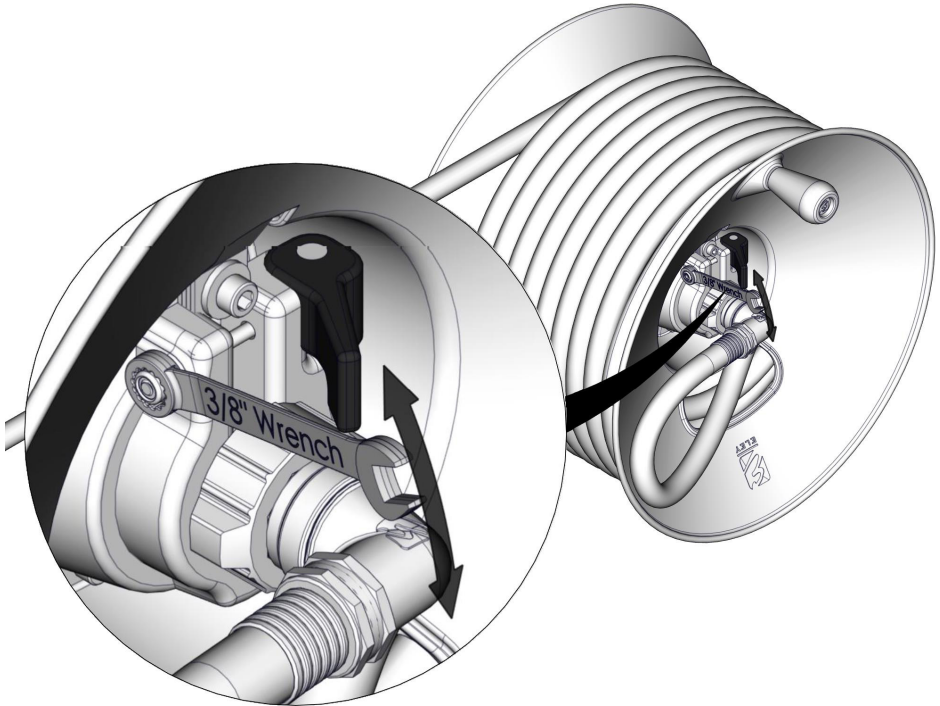
Reeling the hose in.





## How to adjust the Cam-Lever Brake

1. Place the cam-lever in the “ON” position.
2. Pull enough hose off the reel to test the amount of drag created by the Cam-Lever Brake.
  - a. Too little drag, and the reel will continue to unspool hose after you’ve stop pulling.
    - i. Tighten the nut on the Cam-Lever Brake using a 3/8” wrench.
    - ii. Adjust 1/4 turn of the wrench.
    - ii. Test again.
  - b. Too much drag and it will be difficult to pull hose off the reel.
    - i. Loosen the nut on the Cam-Lever Brake using a 3/8” wrench.
    - ii. Adjust 1/4 turn of the wrench.
    - ii. Test again.





## 10 Year Warranty

### Coverage

Eley Corporation guarantees this hose reel, components and parts, unless otherwise specified, to be free from defect, malfunction or failure in material, or workmanship, under normal use and service, for a period of 10 years(120 months). Warranty period starts from original invoice date. In the event of a defect or component failure, Eley Corporation will replace the specific component(s) free of charge.

### Exemptions

Warranty does not cover leaking due to damage caused by the use of acid, harsh chemicals or mineral deposits. Warranty does not apply when products are used in excess of their rated capacities and design functions or under abnormal conditions. The effects of corrosion, and normal wear and tear are specifically excluded from this warranty. This warranty does not cover damage which occurs in shipment or failures which are caused by products not supplied by the warrantor or failures which result from accidents, mishandling, faulty installation, freezing, misuse or misapplication, abuse or neglect. Warranty is void if the product or any part thereof has been tampered or altered in any manner, or damage that is attributable to acts of God. Eley Corporation covers the replacement or credit of defective parts only and does not allow for field labor charges for removal, installation, analysis or travel expenses. In no event shall Eley Corporation or its suppliers be liable for any damages, whatsoever, arising out of the use of or inability to use this product. (Some states do not allow the exclusion of limitation of incidental or consequential damages, so the above limitation or exclusion may not apply to you). Eley Corporation and its suppliers disclaim all other expressed or implied warranties. Some states do not allow limitations on how long an implied warranty lasts, so the above limitation may not apply to you. This warranty gives you specific legal rights, and you may also have other rights which vary from state to state.

Model: **1041**                      Serial # \_\_\_\_\_

Purchase Date: \_\_\_\_\_

Purchased From: \_\_\_\_\_