



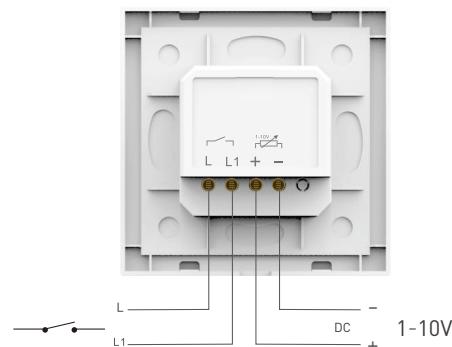
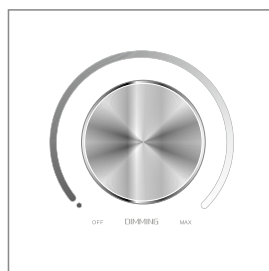
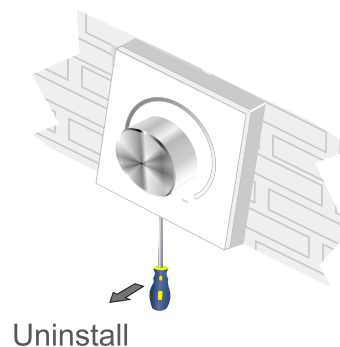
Dimmable LED Panel Lights

(PL10 Series)

LEDbay's high-quality dimmable LED panel lights offer an easy and smooth way (no flickering or flashing) to adjust brightness for different types of room activities, such as relaxation, discussions, reading and writing. LEDbay's PL10 series dimmable LED panel lights deliver the following benefits:

- A high-quality, flicker- and flashing-free dimming system.
- An optimal light to ensure users' comfort and to promote the feeling of well-being.
- A lighting system that allows for changing brightness to suit the needs of different types of room activities, such as leisure, entertainment, reading, and writing.
- An eco-friendly, power-efficient, and long-lifespan LED lighting system that allows owners to enjoy great energy savings as well as maintenance ease in the long run.

Touch Panel



Technical Specifications

Touch Panel



Input Voltage:	100~240VAC (Optional)
Output Signal:	1-10V
Control Mode:	Bus Control

CC Driver



Input Voltage:	100~240VAC
Output Current:	CC 850mA
Output Power:	36W
Signal:	0-10V

PL10 LED Panel Light



Wattage:	36W
Size:	60x60cm
Colour Temperature:	3000K/4000K/5000K
Beam Angle:	120°

PL10 LED Panel Light



Wattage:	36W
Size:	30x120cm
Colour Temperature:	3000K/4000K/5000K
Beam Angle:	120°

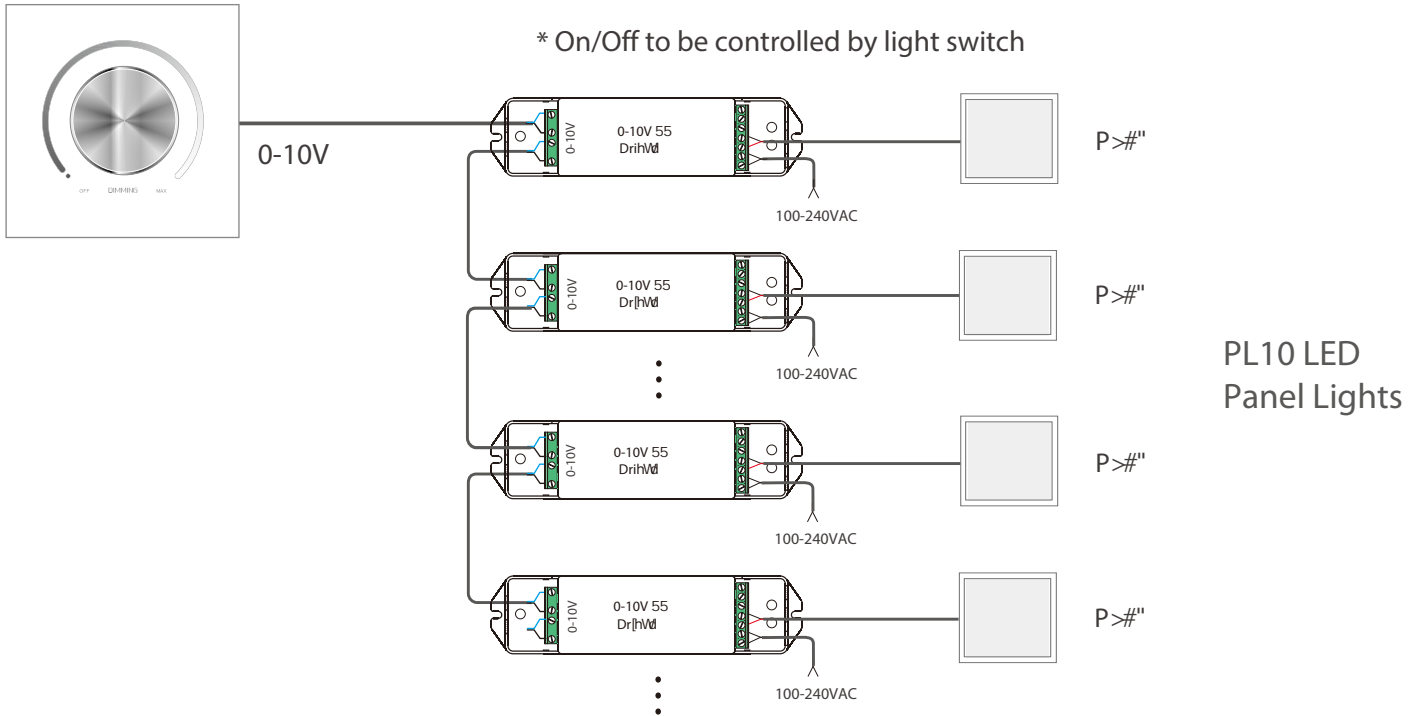
PL10 LED Panel Light



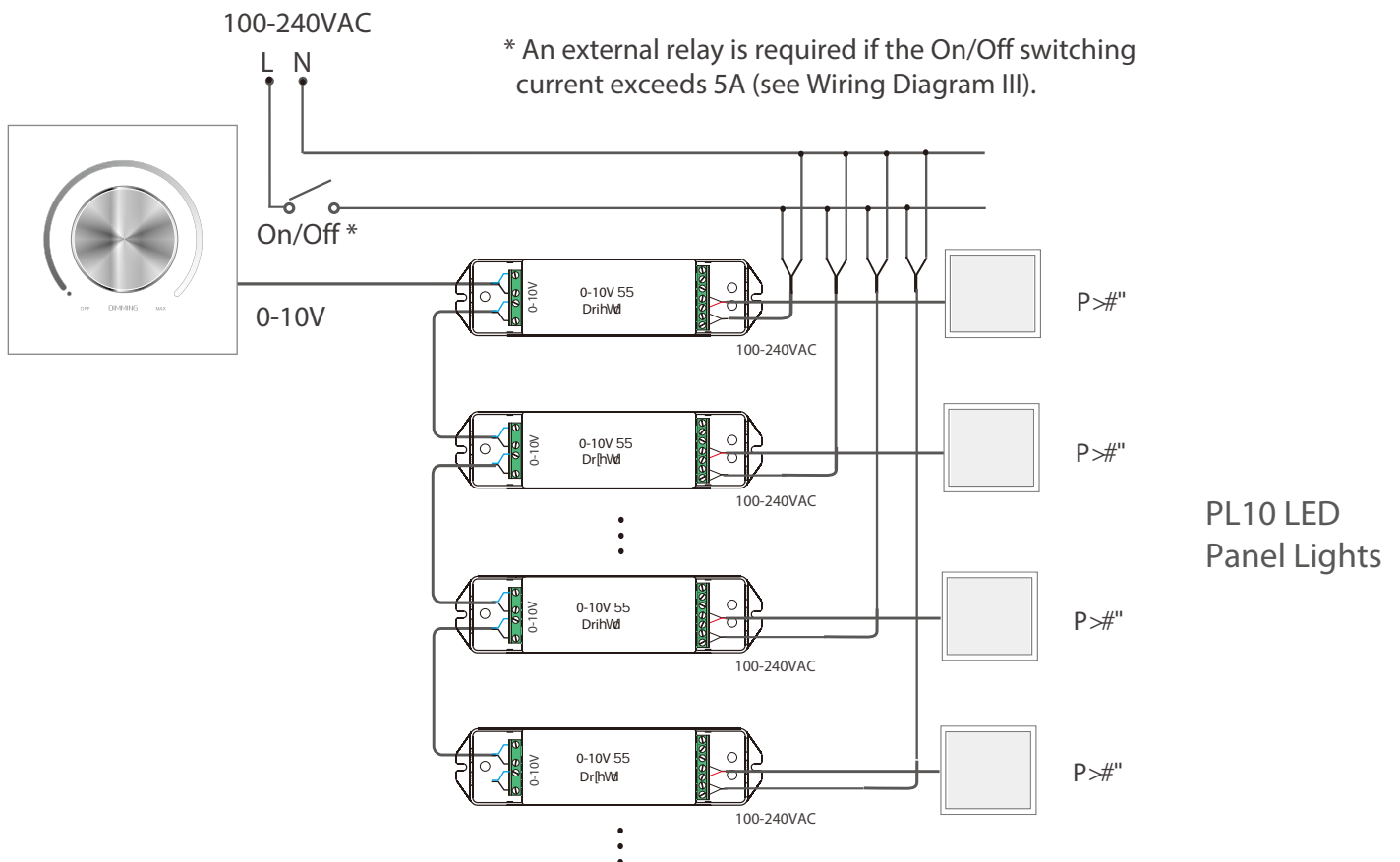
Wattage:	72W
Size:	60x120cm
Colour Temperature:	3000K/4000K/5000K
Beam Angle:	120°

Note: Product specifications are subject to change without prior notice.

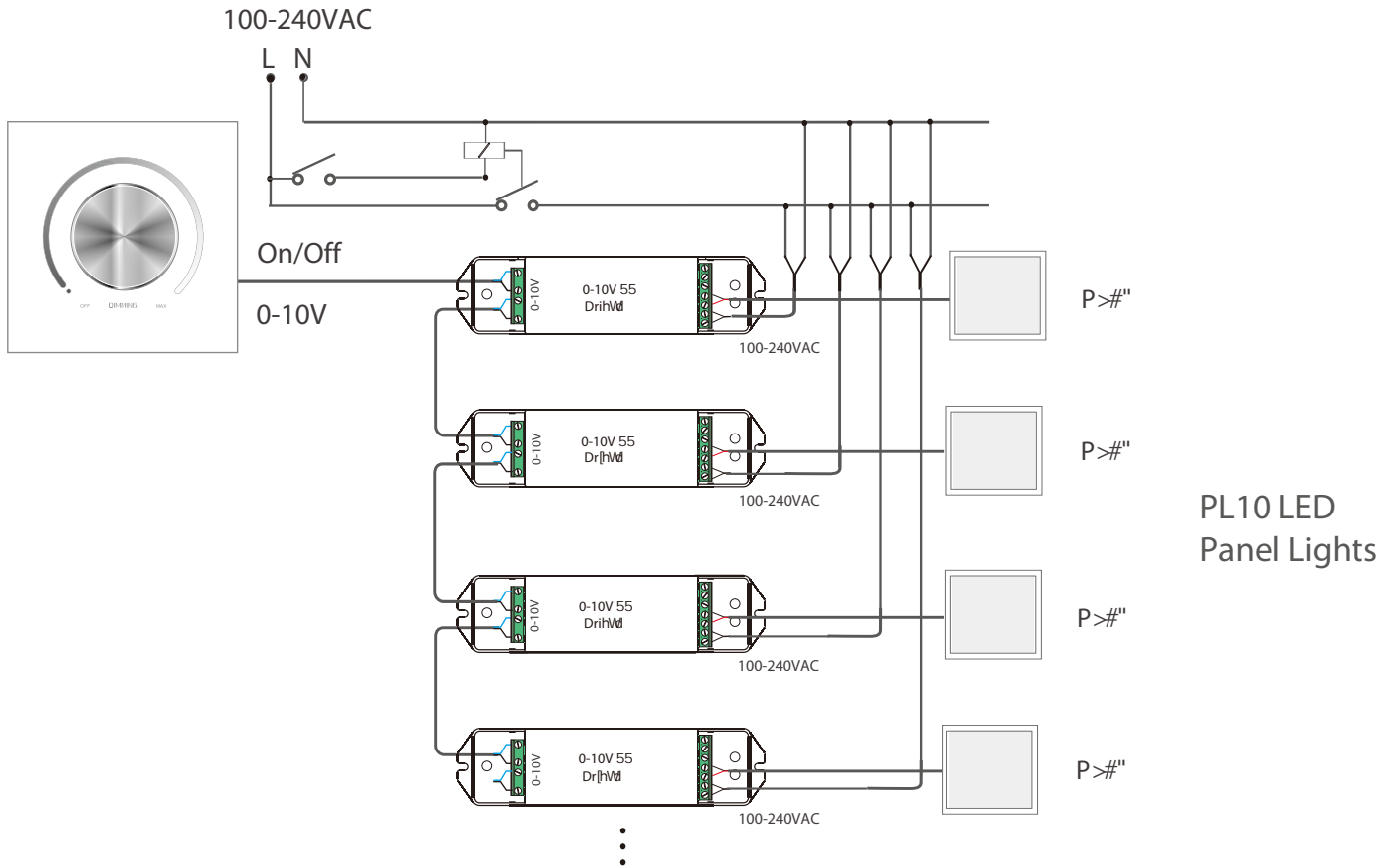
Wiring Diagram I (Dimming) - Recommended



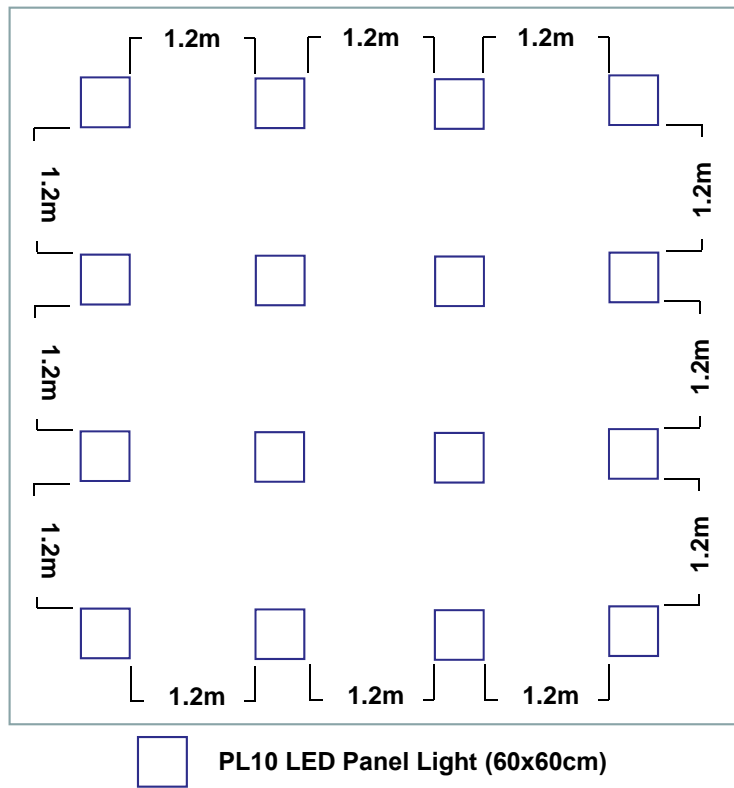
Wiring Diagram II (Dimming & ON/OFF)



Wiring Diagram III (Dimming & ON/OFF with External Relay)



Installation Example I



Installation Example II

