



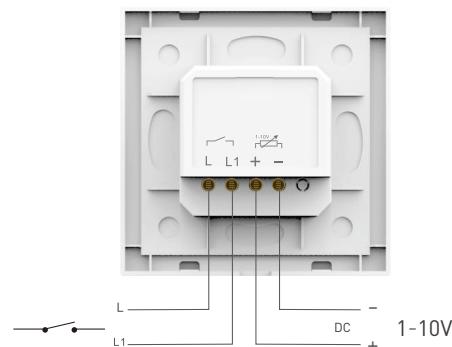
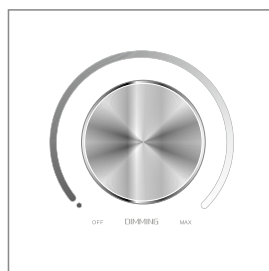
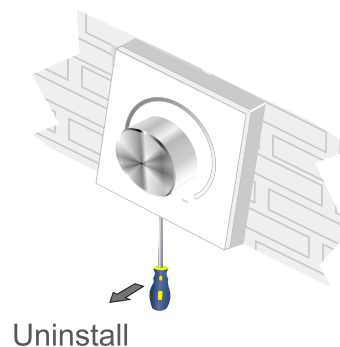
Dimmable LED Downlights

(DL10 & DL11 Series)

LEDbay's high-quality dimmable LED downlights offer an easy and smooth way (no flickering or flashing) to adjust brightness for different types of room activities, such as relaxation, discussions, reading and writing. LEDbay's DL10 & DL11 series dimmable LED downlights deliver the following benefits:

- A high-quality, flicker- and flashing-free dimming system.
- An optimal light to ensure users' comfort and to promote the feeling of well-being.
- A lighting system that allows for changing brightness to suit the needs of different types of room activities, such as leisure, entertainment, reading, and writing.
- An eco-friendly, power-efficient, and long-lifespan LED lighting system that allows owners to enjoy great energy savings as well as maintenance ease in the long run.

Touch Panel



Technical Specifications

Touch Panel



Input Voltage:	100~240VAC (Optional)
Output Signal:	1-10V
Control Mode:	Bus Control

CC Driver 1



Input Voltage:	100~240VAC
Output Current:	CC 350mA
Output Power:	13W
Signal:	0-10V

CV Receiver 2



Input Voltage:	100~240VAC
Output Current:	CC 700mA
Output Power:	25W
Signal:	0-10V

CC Driver 3



Input Voltage:	100~240VAC
Output Current:	CC 850mA
Output Power:	35W
Signal:	0-10V

CV Receiver 4



Input Voltage:	100~240VAC
Output Current:	CC 1050mA
Output Power:	45W
Signal:	0-10V

DL10 LED Downlight



Wattage:	13W/25W/35W/45W
Size:	3"/6"/8"/10"
Cutout:	Ø90-100mm / Ø160-170mm Ø200-210mm / Ø230-260mm
Colour Temperature:	2700K/4000K/5000K
Beam Angle:	90°

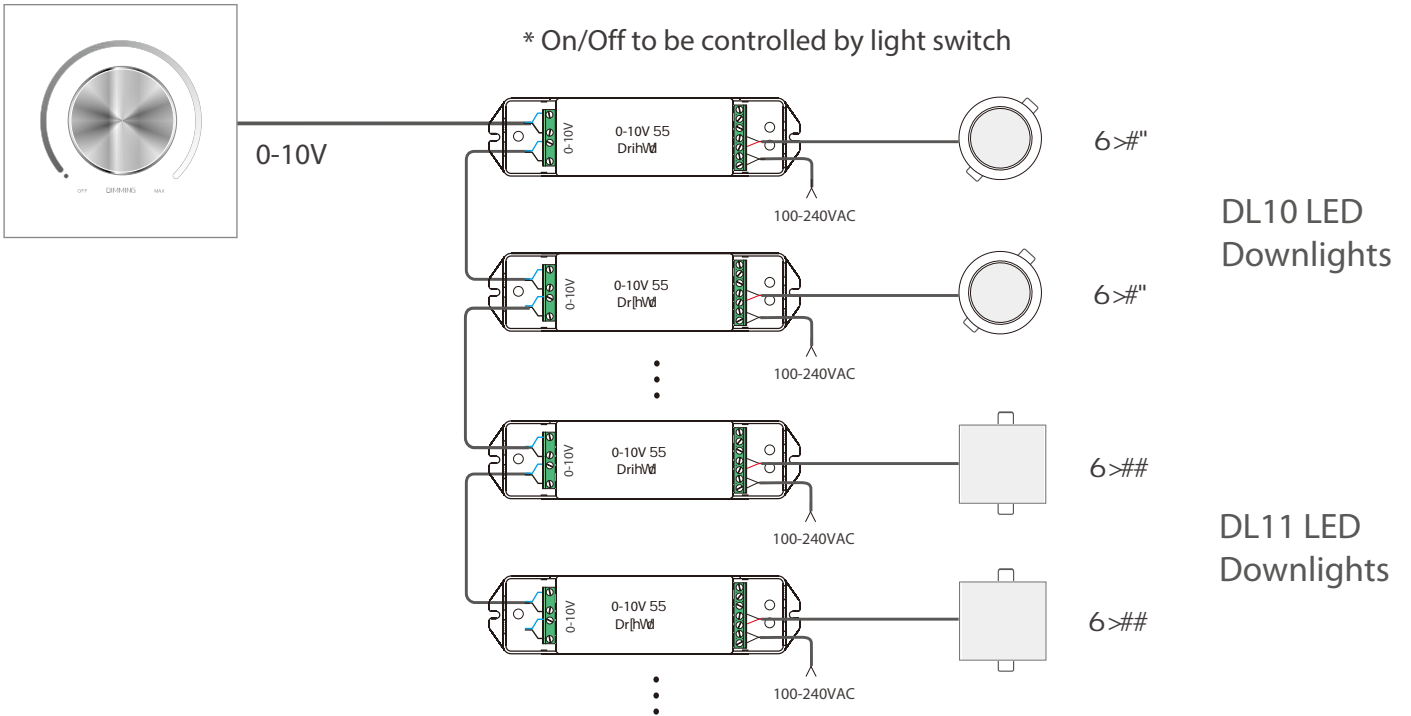
DL1# LED Downlight



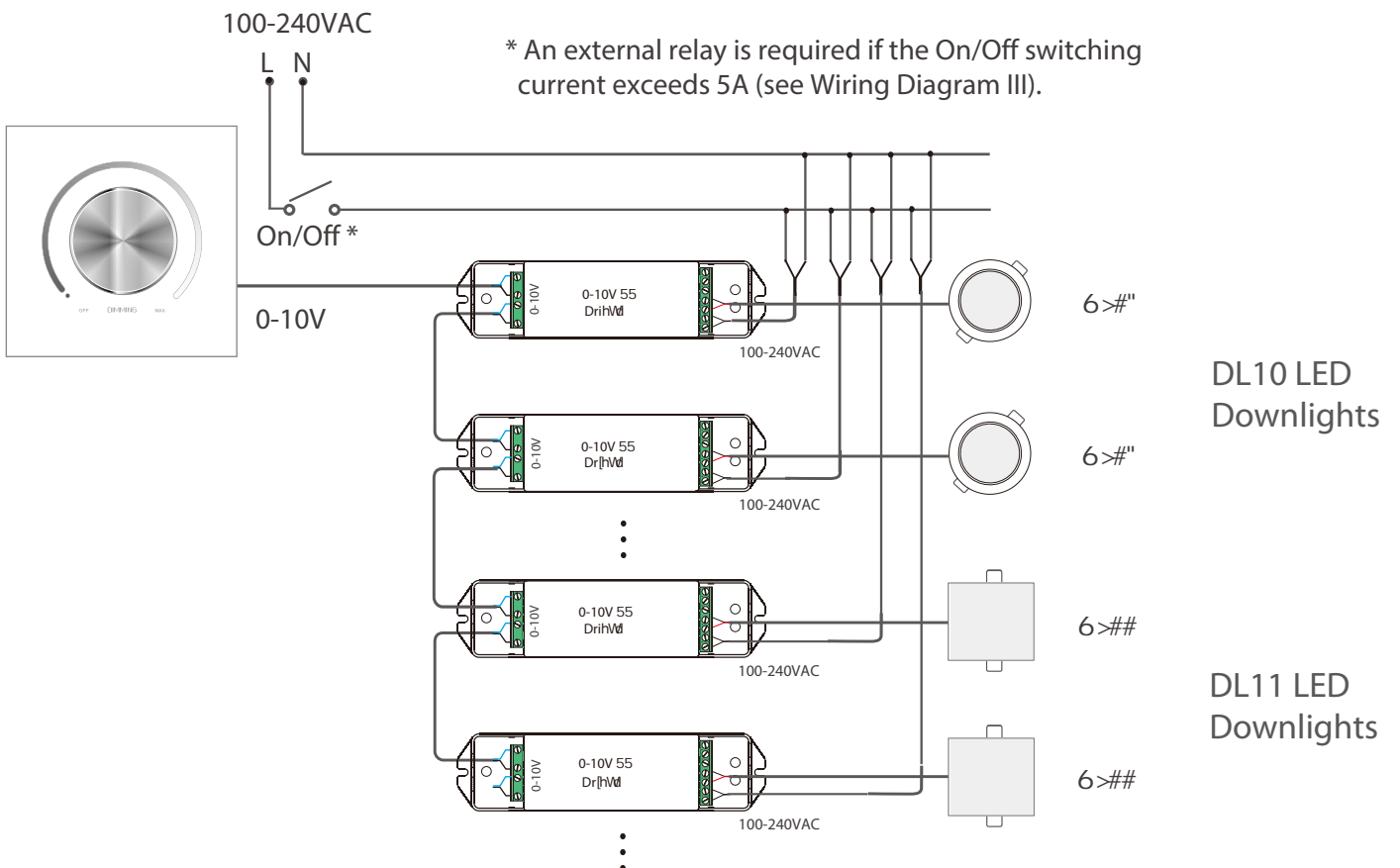
Wattage:	13W/25W
Size:	3"/6"
Cutout:	Ø90-100mm / 160x160mm
Colour Temperature:	2700K/4000K/5000K
Beam Angle:	90°

Note: Product specifications are subject to change without prior notice.

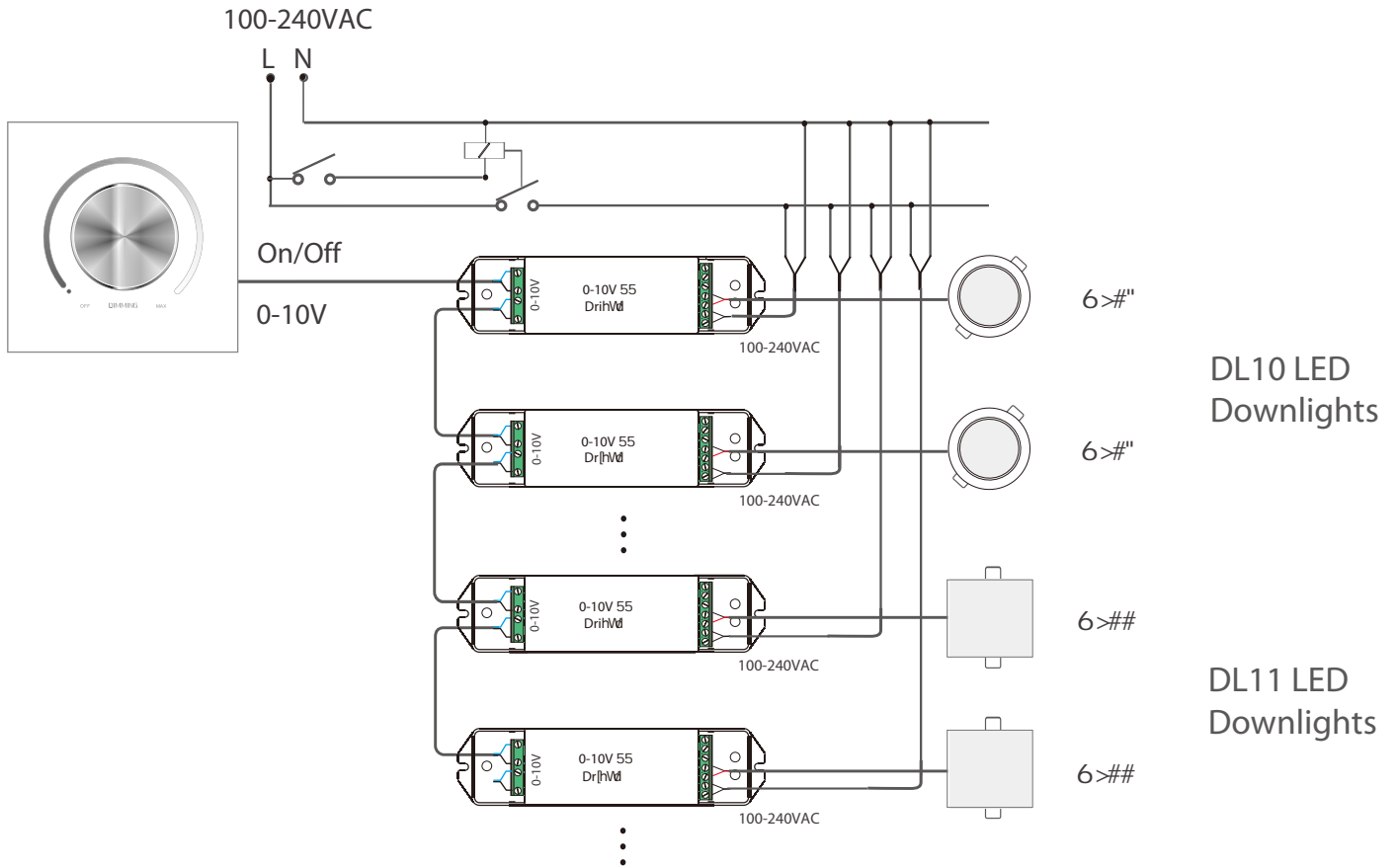
Wiring Diagram I (Dimming) - Recommended



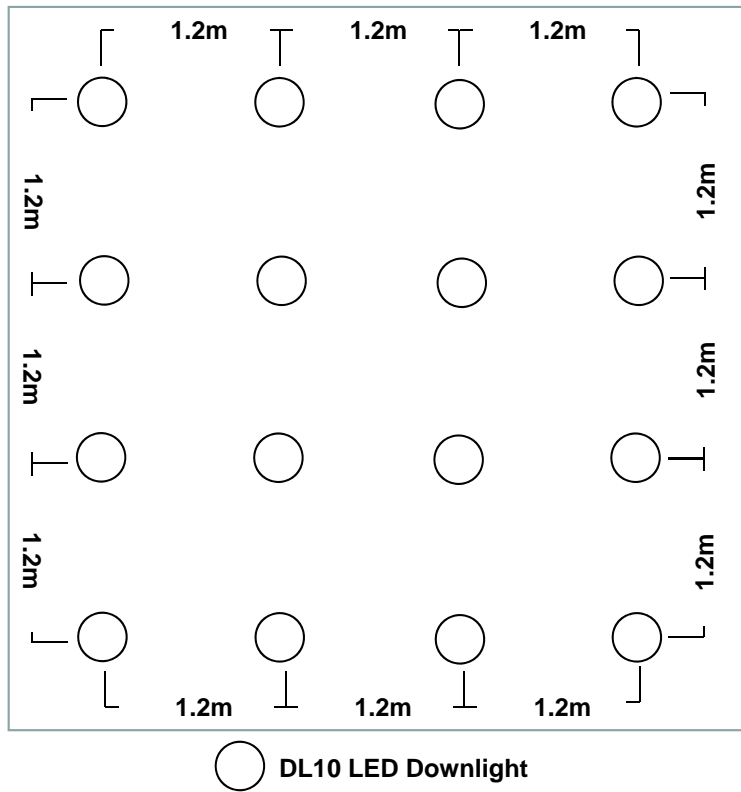
Wiring Diagram II (Dimming & ON/OFF)



Wiring Diagram III (Dimming & ON/OFF with External Relay)



Installation Example I



Installation Example II

