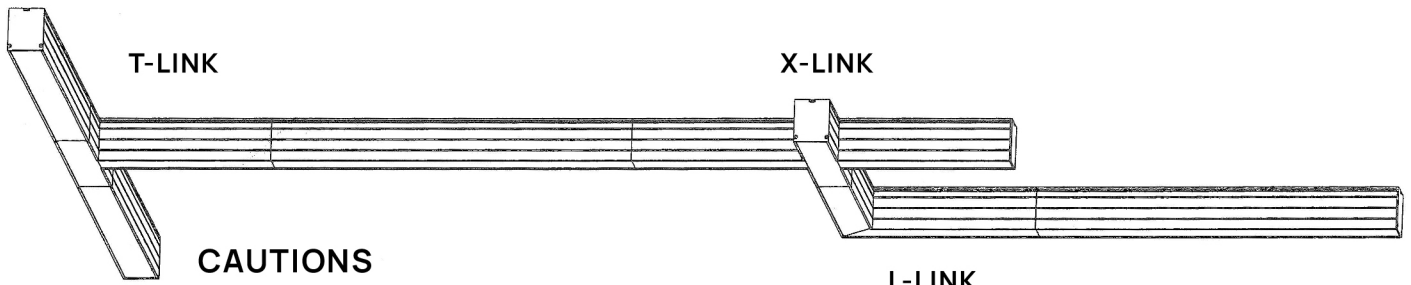


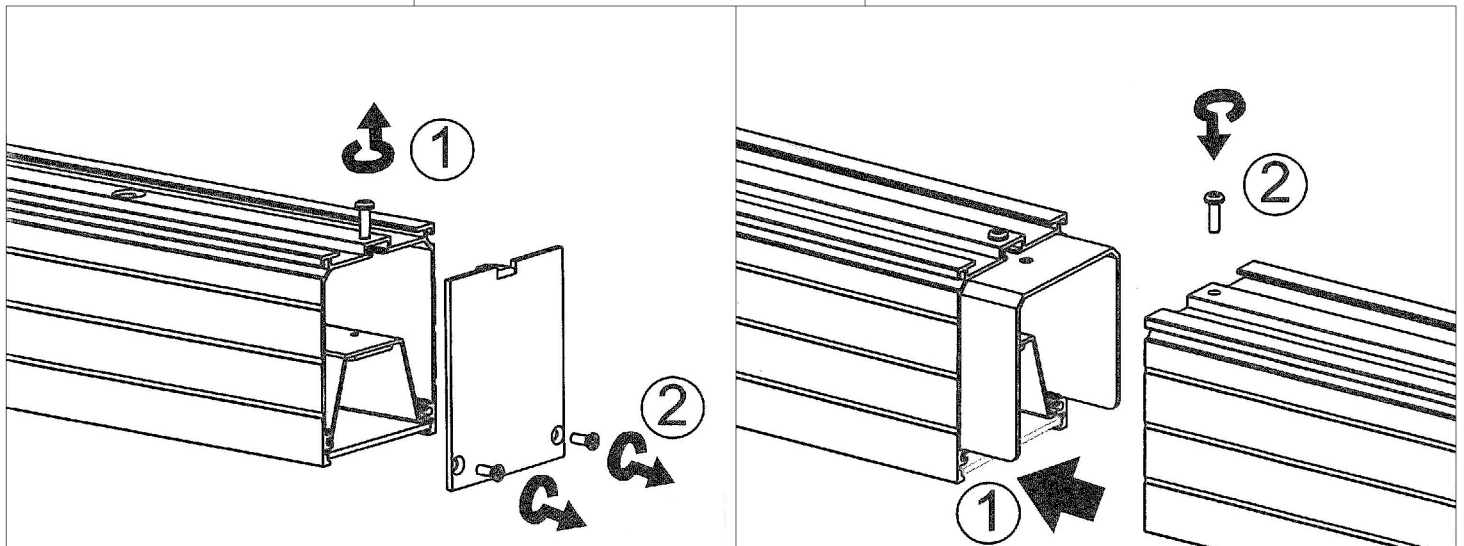
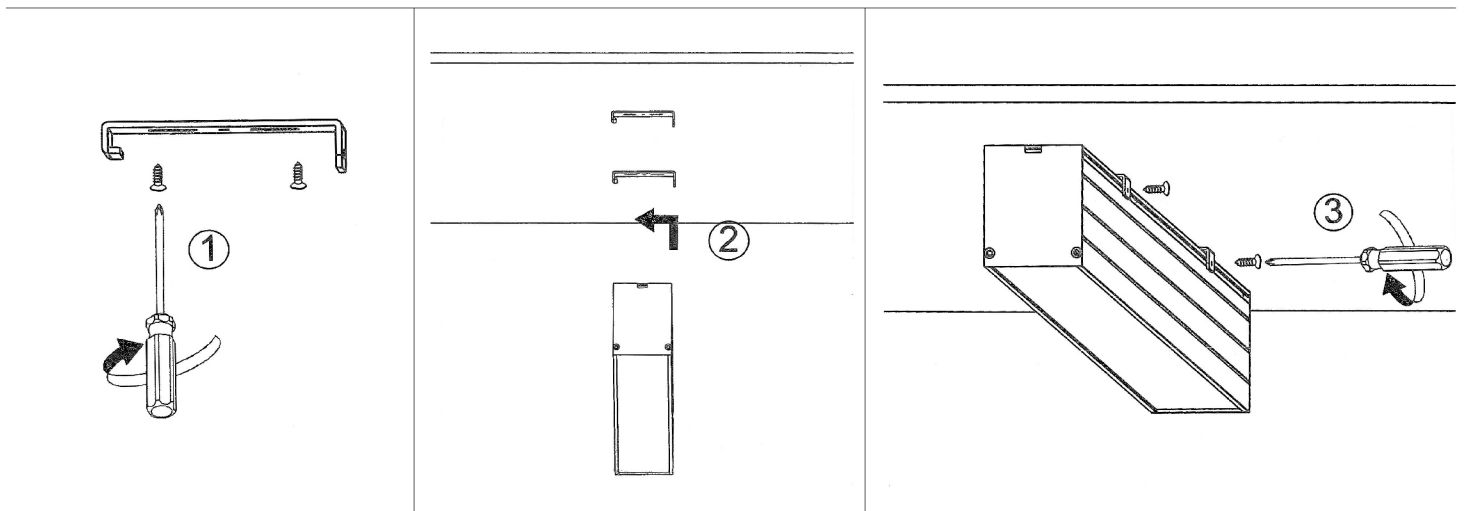
X-LINK MANUAL

Lampitude

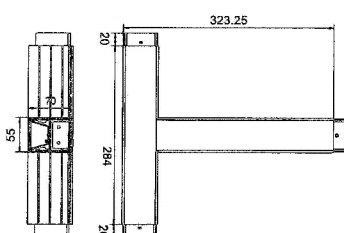


CAUTIONS

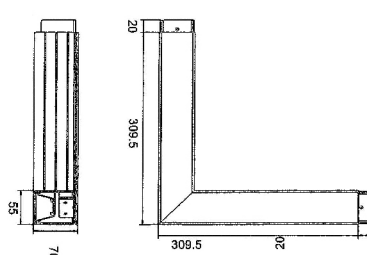
1. Switch-off the power supply before any installation and maintenance operations.
2. Installation should be carried out by a suitably qualified person in accordance with good electrical practice and the appropriate national wiring regulations.
3. Use this light fixture at the rated voltage and frequency as indicated on the specification table.



T-LINK



L-LINK



X-LINK

