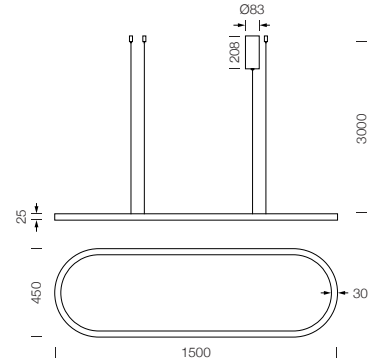


PROJECT : _____
 SALE : _____

Lampitude

Product

Dimension



Specification

SERIES	: UNITO
ITEM CODE	: UNITO-P150-GD
DESCRIPTION	: HANGING LAMP
SIZE	: W450 X L1500 X H25+ 3000 (MM)
INSTALLATION	: SURFACE MOUNTED BASE
DRILL SIZE	: -
WEIGHT	: 4 KG
MATERIAL	: ALUMINIUM
COLOR	: BRUSHED GOLD
REFLECTOR	: -
DIFFUSER	: PC
IP RATING	: 20
LIGHT SOURCES	: LED SMD
WATTS	: 80W
INPUT VOLTAGE	: AC 220-240V 50/60 Hz
OUTPUT VOLTAGE	: -
CCT	: 3000K + 4000K
CRI	: 80
BEAM ANGLE	: DIFUSED BEAM
LUMEN POWER	: 4000LM
AMBIENT TEMP	: -20°C to +40°C
LIFETIME	: 30,000 Hrs
CONTROL GEAR	: DIMMABLE LED DRIVER INCLUDED
ACCESSORIES	: -
REMARKS	: DIMMABLE TRIAC (PHASE-CUT)

Head office 299/1 (Ekamai) Klongton-Nua, Wattana, Bangkok Thailand 10110

Tel (02) 392 6371-5 FAX (02) 392 1839 Email info@lamptitude.net www.lamptitude.com